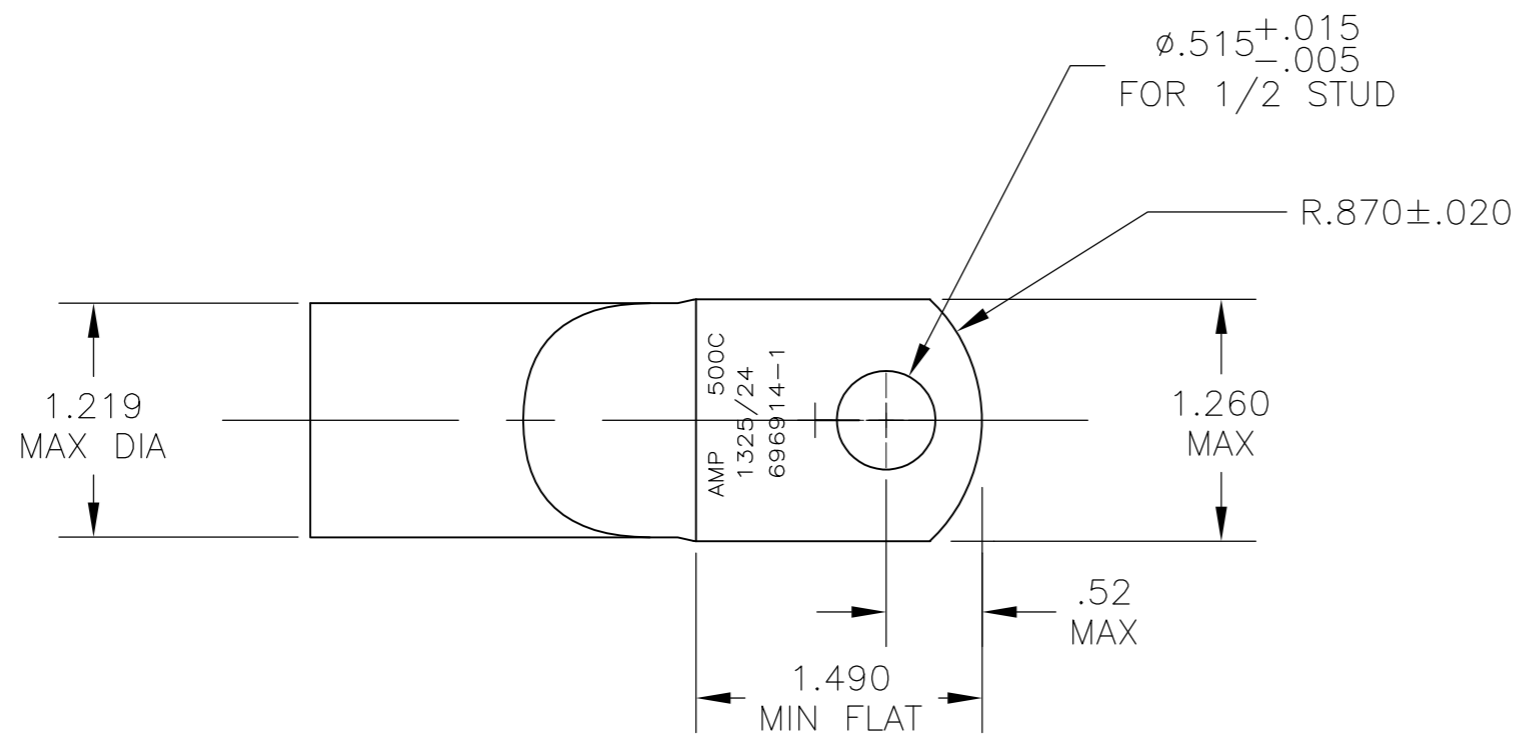
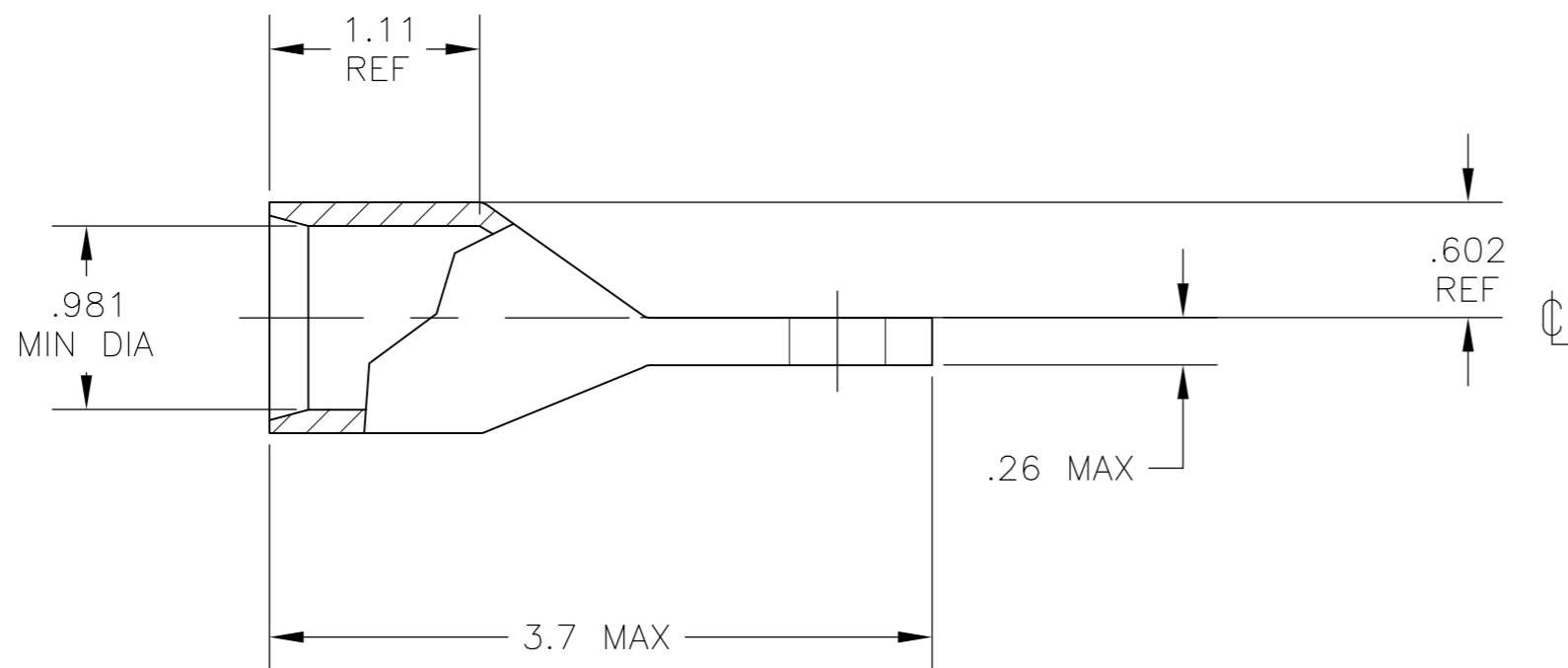


THIS DRAWING IS UNPUBLISHED. RELEASED FOR PUBLICATION
 © COPYRIGHT BY TYCO ELECTRONICS CORPORATION. ALL RIGHTS RESERVED.

LOC	DIST	REVISIONS					
G	86	P	LTR	DESCRIPTION	DATE	DWN	APVD
		A		REL PER ECR 08-004692	28FEB08	JR	RL



- ① TIN PL .000150 MIN THK PER ASTM B-545
- ② CIRCULAR MIL RANGE: 450-550 MCM
- ③ COPPER PER ASTM B-75, ANNEALED
- ④ PREPRODUCTION - FASR REQUIRED



④ 696914-1
 PART NO.

THIS DRAWING IS A CONTROLLED DOCUMENT.		DWN JR RUTH 07DEC05	Tyco Electronics Corporation Harrisburg, PA 17105-3608	
DIMENSIONS: INCHES		CHK MJ SPICER 07DEC05	NAME TERMINAL, AMPPOWER, WIRE SIZE: 253.0mm[500]MCM	
TOLERANCES UNLESS OTHERWISE SPECIFIED:		APVD MJ SPICER 07DEC05	SIZE A2	CAGE CODE 00779
0 PLC ± - 1 PLC ± - 2 PLC ± .020 3 PLC ± - 4 PLC ± - ANGLES ± -		PRODUCT SPEC -	DRAWING NO C=696914	RESTRICTED TO -
MATERIAL ③	FINISH ①	APPLICATION SPEC -	WEIGHT -	SCALE 1:1
CUSTOMER DRAWING			SHEET 1 of 1	REV A

696914