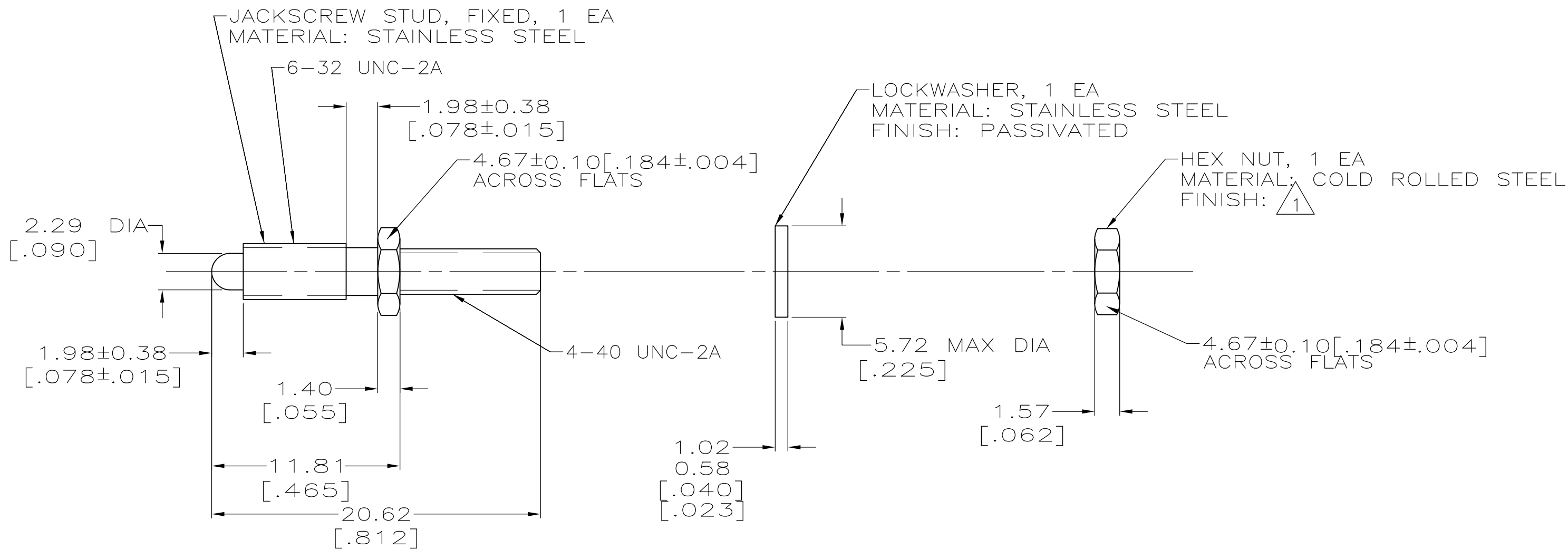


THIS DRAWING IS UNPUBLISHED. RELEASED FOR PUBLICATION
 © COPYRIGHT BY TYCO ELECTRONICS CORPORATION. ALL INTERNATIONAL RIGHTS RESERVED.

LOC FT	DIST 0	REVISIONS			
P	LTR	DESCRIPTION	DATE	DWN	APVD
	L	REVISED PER ECO-10-021995	12JAN11	HMR	MG

 ZINC PLATED



201092-4
 SUPERSEDED BY 201092-4 201092-1
 PART NUMBER

THIS DRAWING IS A CONTROLLED DOCUMENT.		DWN M.BINNER	09/26/94	Tyco Electronics Corporation Harrisburg, PA 17105-3608	
DIMENSIONS: mm [INCHES]		CHK R.STONE	1-20-95	NAME JACKSCREW KIT, UNASSEMBLED, M SERIES	
TOLERANCES UNLESS OTHERWISE SPECIFIED:		APVD -	-	PRODUCT SPEC -	
0 PLC ± -		APPLICATION SPEC -		SIZE A3	
1 PLC ± -		WEIGHT -		CAGE CODE 00779	DRAWING NO C-201092
2 PLC ± 0.13 [.005]		CUSTOMER DRAWING		RESTRICTED TO -	SCALE 4:1
3 PLC ± -		SCALE 4:1		SHEET 1 OF 1	REV L
4 PLC ± -		SCALE 4:1		SHEET 1 OF 1	REV L
ANGLES ± -		SCALE 4:1		SHEET 1 OF 1	REV L
MATERIAL SEE CALLOUT		SCALE 4:1		SHEET 1 OF 1	REV L
FINISH SEE CALLOUT		SCALE 4:1		SHEET 1 OF 1	REV L