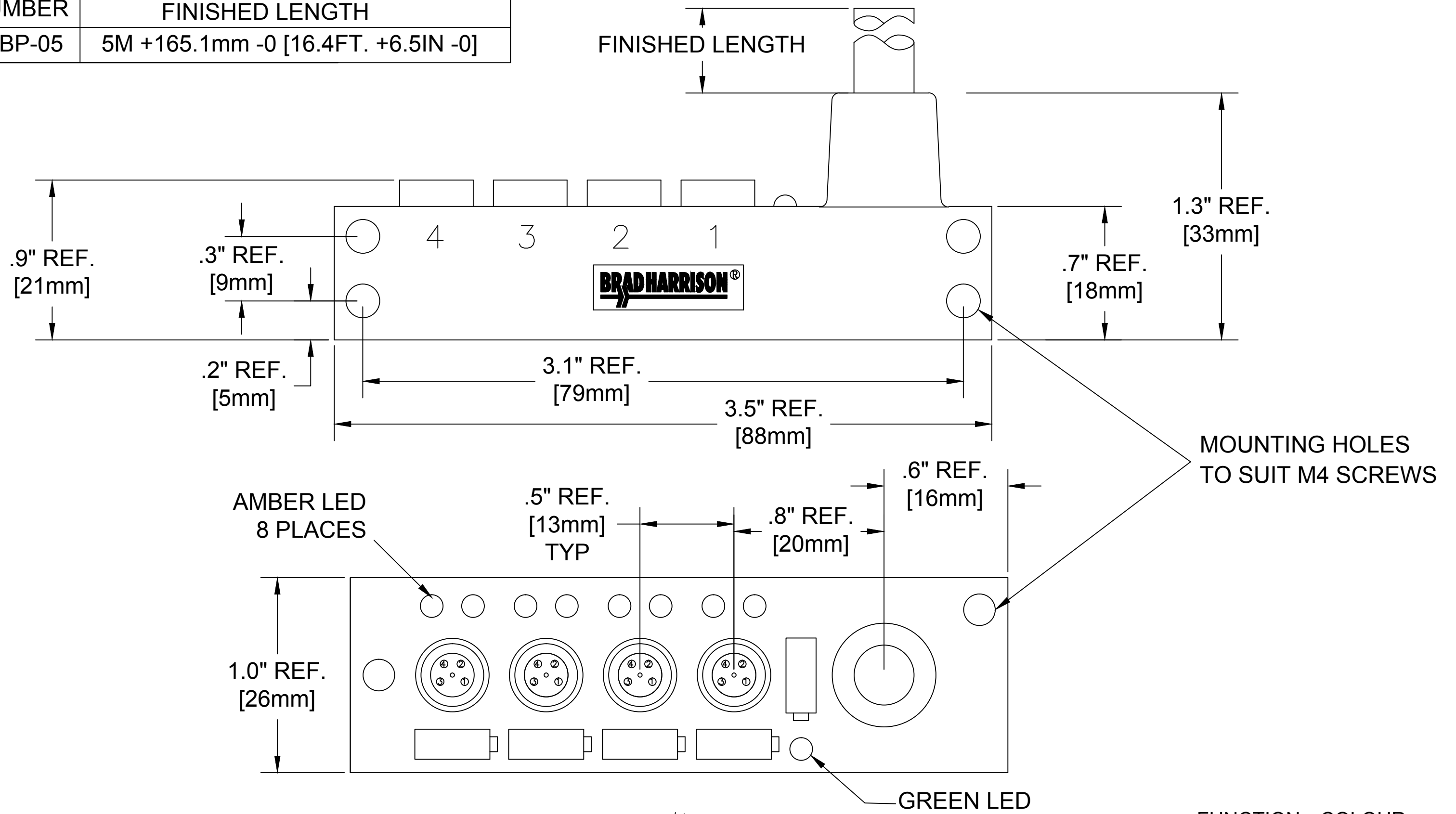
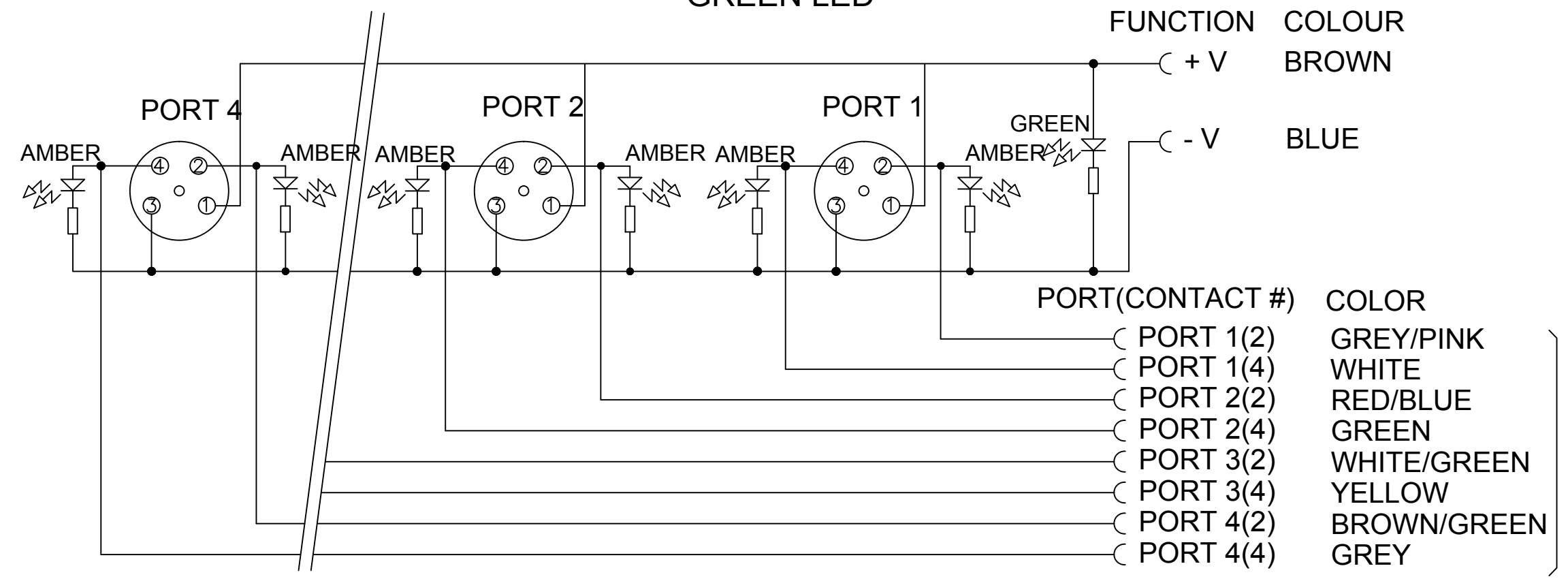


13	12	11	10	9	8	7	6	5	4	3	2	1
MATERIAL NUMBER		OLD PART NUMBER		FINISHED LENGTH								
1201135100		BNY403P-FBP-05		5M +165.1mm -0 [16.4FT. +6.5IN -0]								



**BNY403P-FBP-05**

- wire type: 2x0.75mm<sup>2</sup> + 8x0.34mm<sup>2</sup> PUR Black
- cable length: 05----5 Meter, 10----10 Meter



CONTACT:	GOLD/NICKEL OVER COPPER ALLOY
O-RING:	FKM, RED
HOUSING:	PBT, YELLOW
VOLTAGE RATING:	10 - 30 VDC
AMPERAGE RATING:	MODULE-6A MAX PORT-2A MAX
PROTECTION:	IP67
OPERATING TEMPERATURE:	-5°C TO 80°C

EC NO.: ICG2014-0871 DRWN: GGUSTAFS 2013/09/05 CHKD: BARDEN APPR: BWOODMAN 2013/11/20 RELEASE	QUALITY SYMBOL	GENERAL TOLERANCES (UNLESS SPECIFIED)	DIMENSION STYLE	SCALE	DESIGN UNITS	THIRD ANGLE PROJECTION
	$\nabla=0$ $\nabla C=0$	mm INCH 4 PLACES ±--- ±--- 3 PLACES ±--- ±.005 2 PLACES ±0.13 ±.010 1 PLACE ±0.25 ±.020	IN/MM	NTS	INCH	
		ANGULAR ±.5°	DRAWN BY DATE GGUSTAFS 2013/09/05 CHECKED BY DATE BARDEN 2013/11/21 APPROVED BY DATE BWOODMAN 2013/11/20	TITLE	4 PORT M8 MPIS TOP MOUNT PNP 10W BLACK PUR CABLE	
		DRAFT WHERE APPLICABLE MUST REMAIN WITHIN DIMENSIONS	MATERIAL NO. <b>SEE CHART</b> SIZE <b>C</b>	MOLEX INCORPORATED DOCUMENT NO. <b>SD-120113-044</b> SHEET NO. <b>1 OF 1</b>		

THIS DRAWING CONTAINS INFORMATION THAT IS PROPRIETARY TO MOLEX INCORPORATED AND SHOULD NOT BE USED WITHOUT WRITTEN PERMISSION