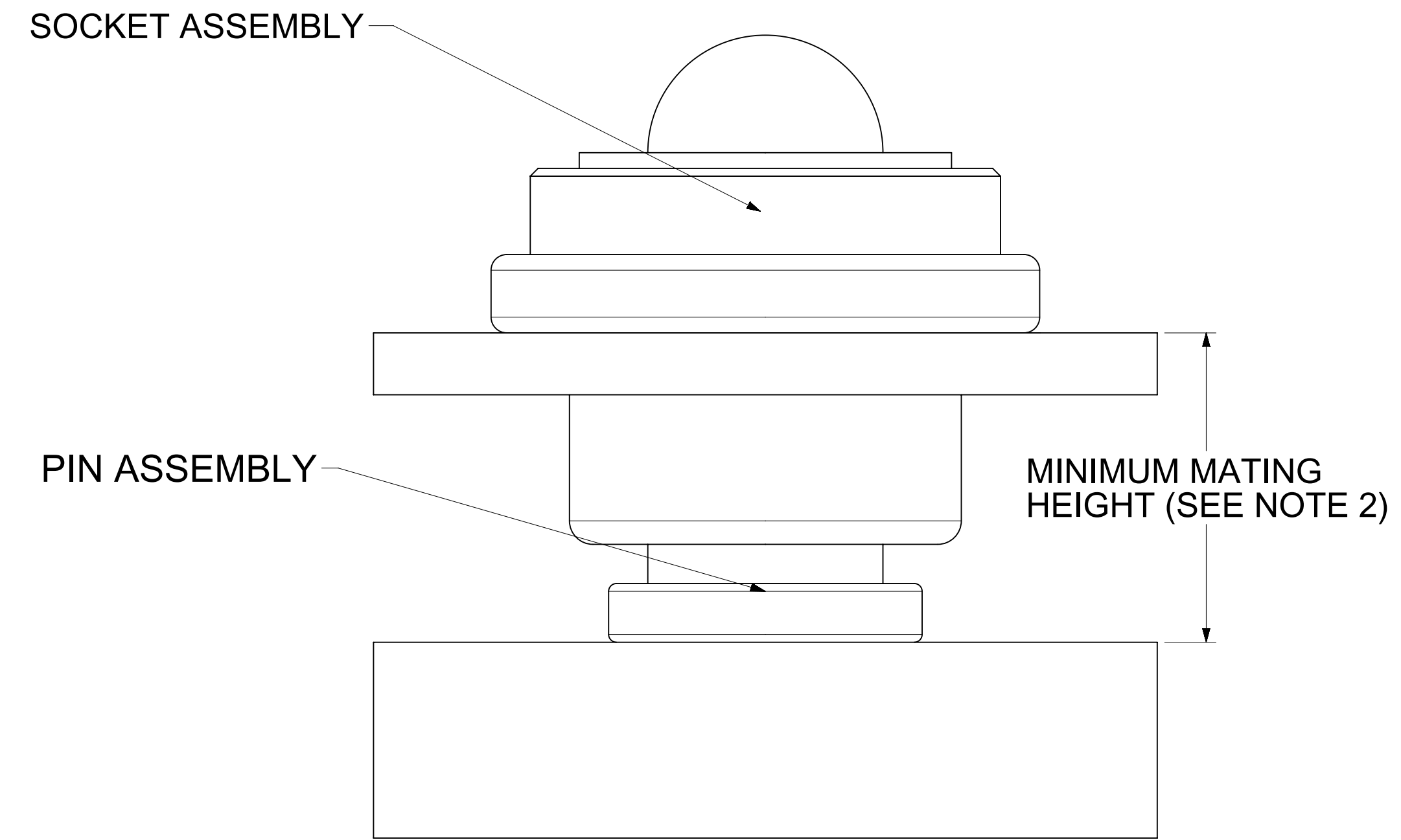
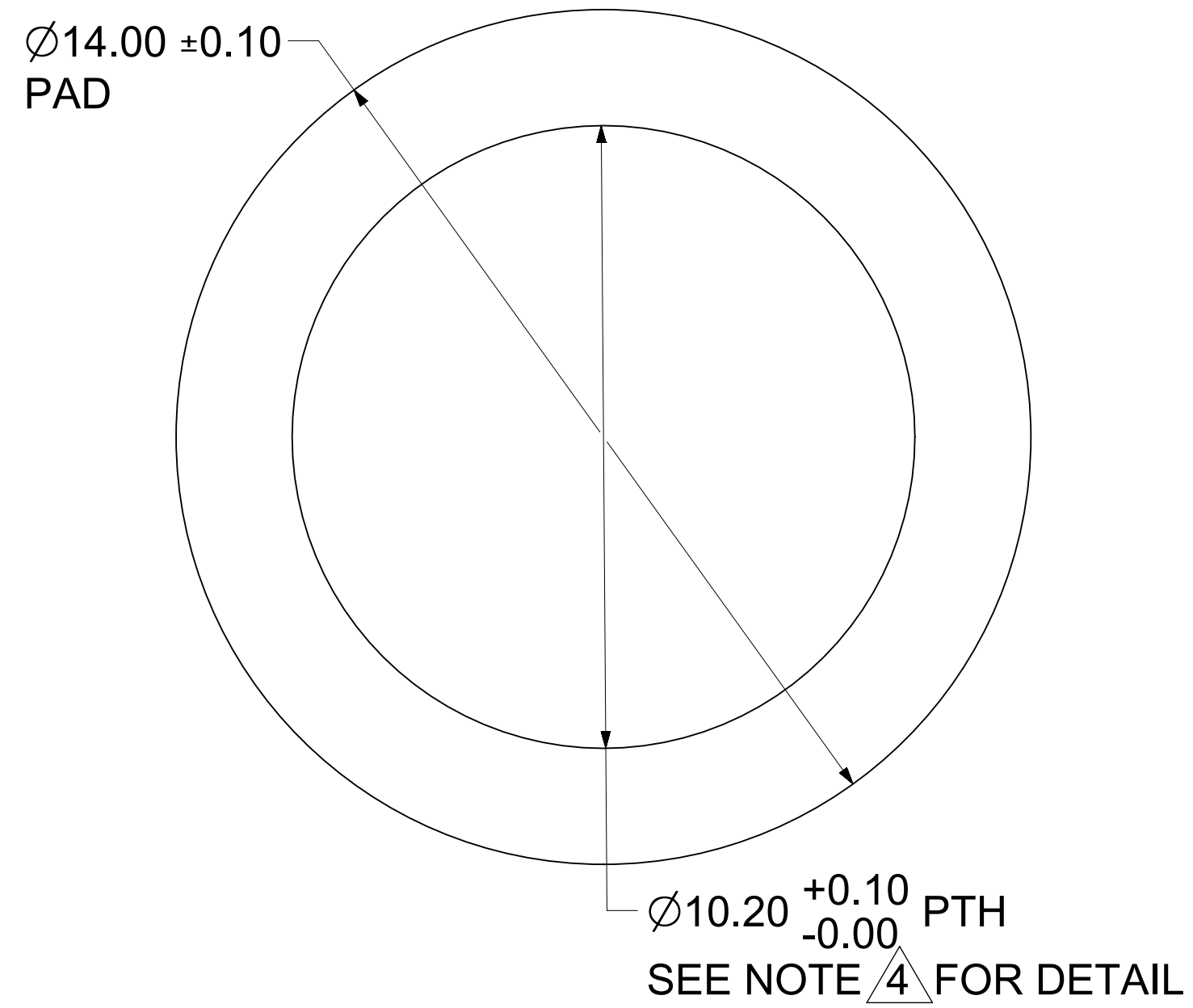
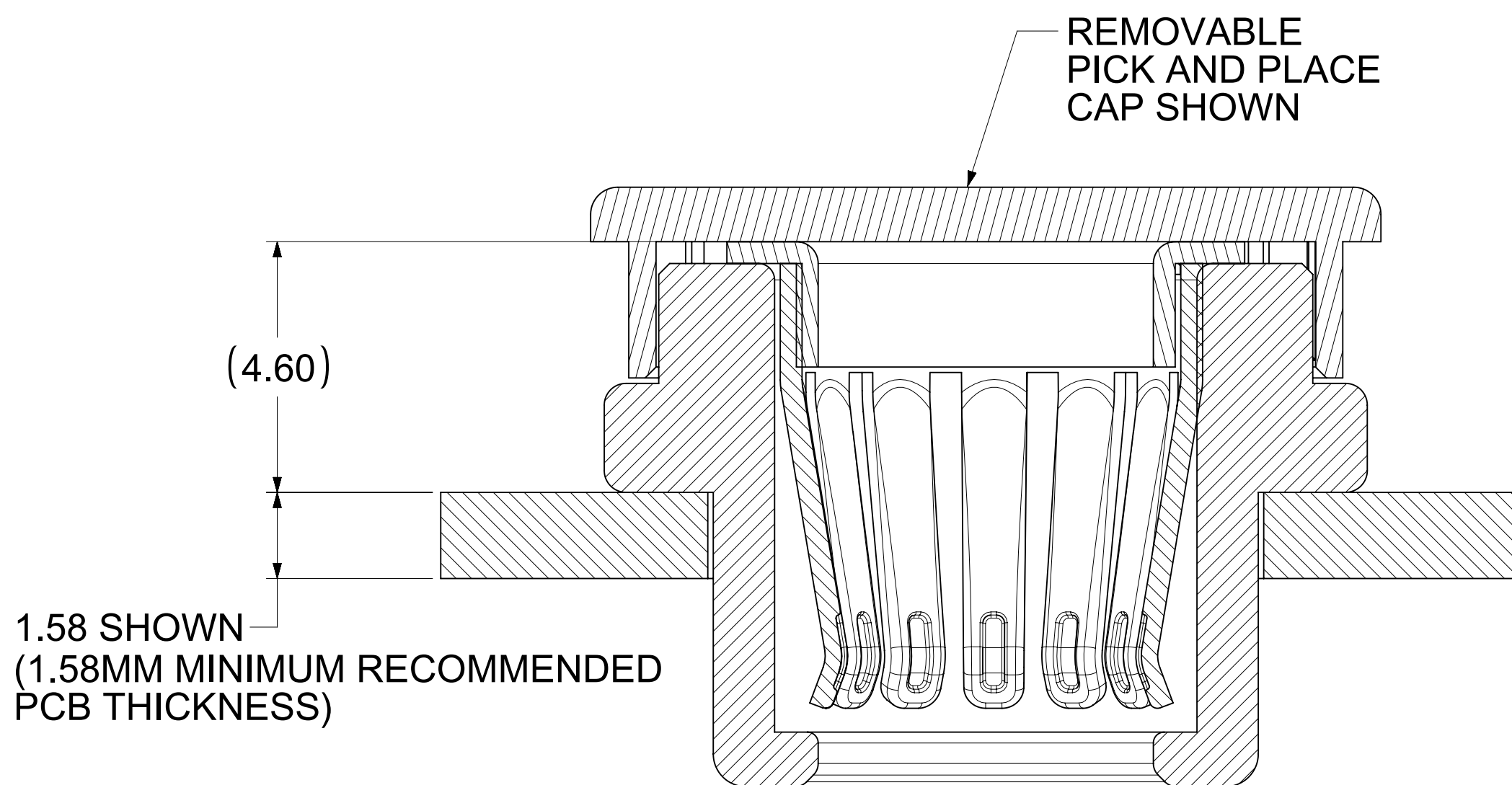


RECOMMENDED PCB LAYOUT



MATING PROFILE



SECTION B-B

NOTES:

1. MATERIALS:
 RETENTION CAP: STAINLESS STEEL
 PICK AND PLACE CAP: LCP UL94, V-0 COLOR BLACK
 BASE METAL: HIGH CONDUCTIVE COPPER ALLOY
 PLATING ON CONTACTS: 0.75 MICRON MIN GOLD OVER 1.27 MICRON MIN NICKEL
 PLATING ON BODY: 3.18 MICRON MIN SILVER OVER 1.27 MICRON MIN NICKEL
2. MATES WITH THE STANDARD PIN DRAWINGS:
 - i. 6.0MM SMT DRAWING 2032630136-SD, MIN. MATING DISTANCE 6.4MM
 - ii. 6.0MM PRESS FIT DRAWING 2032630006-SD, MIN. MATING DISTANCE 6.15MM
 - iii. 6.0MM SCREW MOUNT DRAWING 2032636185-SD, MIN. MATING DISTANCE 9.2MM
3. PRODUCT SPECIFICATION: 2043130006-PS
4. APPLICATION SPECIFICATION: 2043130006-AS
5. PACKAGING SPECIFICATION: 2043180006-PK
6. SILVER COMPONENTS WILL BE SUPPLIED TARNISH FREE. BUT MAY TARNISH OVER TIME
7. PICK AND PLACE CAP TO BE REMOVED AFTER SOLDERING.
8. DATE CODE TO BE LASER MARKED APPROXIMATELY WHERE SHOWN USING DDYYYY FORMAT

THIS DRAWING CONTAINS INFORMATION THAT IS PROPRIETARY TO MOLEX ELECTRONIC TECHNOLOGIES, LLC AND SHOULD NOT BE USED WITHOUT WRITTEN PERMISSION

DIMENSION UNITS	SCALE	CURRENT REV DESC: UPDATED THE TITLE BLOCK	
mm	NTS		
GENERAL TOLERANCES (UNLESS SPECIFIED)			
ANGULAR TOL	± 0.5°		
4 PLACES	±	EC NO: 730607	
3 PLACES	±	DRWN: SOURAJ	2022/11/30
2 PLACES	± 0.15	CHK'D: GSHARMA	2022/12/08
1 PLACE	± 0.25	APPR: HTHYAGARAJ	2022/12/14
0 PLACES	±	INITIAL REVISION:	
DRAFT WHERE APPLICABLE MUST REMAIN WITHIN DIMENSIONS		DRWN: RLOW	2020/01/03
		APPR: BPISZCZOR	2020/02/20
THIRD ANGLE PROJECTION		DRAWING	SERIES
		D-SIZE	204318
		MATERIAL NUMBER	CUSTOMER
		2043185006	GENERAL MARKET
		DOCUMENT NUMBER	DOC TYPE DOC PART REVISION
		2043185006-SD	PSD 000 B2
DOCUMENT STATUS		SHEET NUMBER	
P1		1 OF 1	
RELEASE DATE			
2022/12/14			
06:00:33			