

# 10/100BASE-T LAN MAGNETICS

## Single Port Transformer Module

S558-5999-J1-F

- Meets all IEEE 802.3 standards including 350μH with 8mA bias
- Low profile, surface mount packaging rated to 225° C peak IR reflow temperature
- Small form factor for board layout efficiency
- Operating temperature 0° to 70° C
- Minimum interwinding breakdown voltage of 1500 Vrms

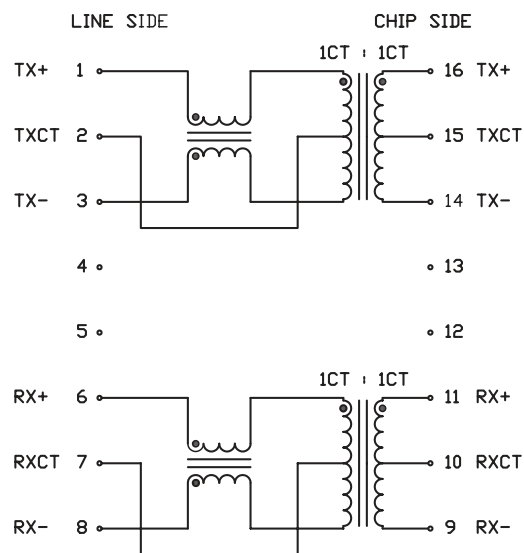
### ELECTRICAL SPECIFICATIONS AT 25° C

Turns Ratio		Insertion Loss dB min	Return Loss				Common to Differential Mode Rejection dB min	Common to Common Mode Rejection dB min	Crosstalk			
TX	RX		100kHz to 100MHz	100kHz to 30MHz	30MHz to 60MHz	60MHz to 80MHz			100kHz to 100MHz	1MHz	30MHz	60MHz
1CT : 1CT	1CT : 1CT	-1.0	-16	16 - 20 log (1/30MHz)	-10	-40	-30	-65	-55	-45	-35	



### SCHEMATIC

S558-5999-J1-F

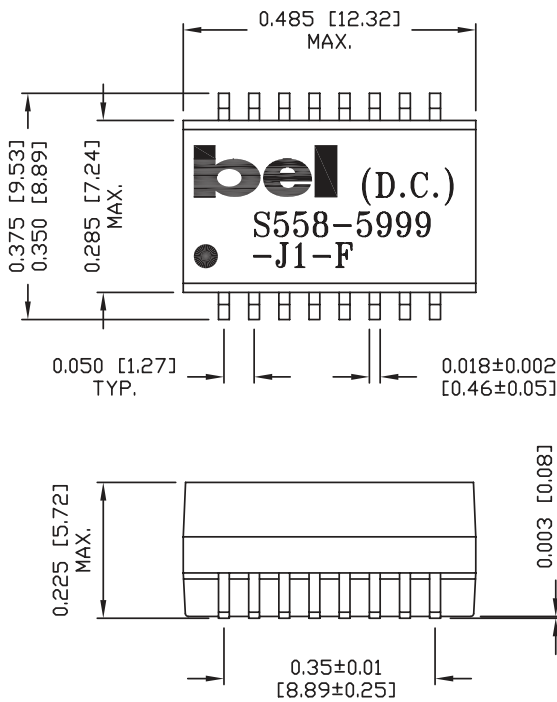


©2005 Bel Fuse Inc. Specifications subject to change without notice. 10.05

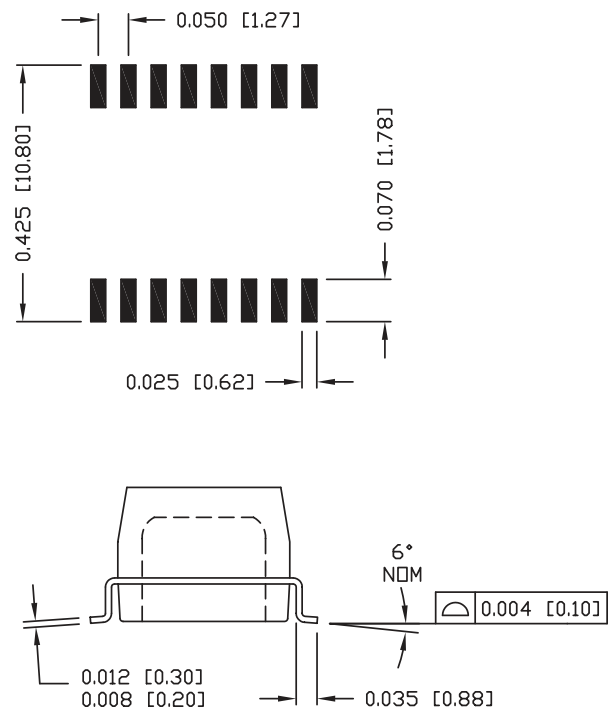
S558-5999-J1-F

### MECHANICAL

S558-5999-J1-F



### SUGGESTED PCB PAD LAYOUT



### NOTES:

1. STANDARD MARKING REFER TO DOC. HAND-WORK-04.
2. PACKAGE CODE: 'QBS001'.

©2005 Bel Fuse Inc. Specifications subject to change without notice. 10.05

### CORPORATE

**Bel Fuse Inc.**  
 206 Van Vorst Street  
 Jersey City, NJ 07302  
 Tel 201-432-0463  
 Fax 201-432-9542  
 www.belfuse.com

### FAR EAST

**Bel Fuse Ltd.**  
 8F / 8 Luk Hop Street  
 San Po Kong  
 Kowloon, Hong Kong  
 Tel 852-2328-5515  
 Fax 852-2352-3706  
 www.belfuse.com

### EUROPE

**Bel Fuse Europe Ltd.**  
 Preston Technology Management Centre  
 Marsh Lane, Suite G7, Preston  
 Lancashire, PR1 8UD, U.K.  
 Tel 44-1772-556601  
 Fax 44-1772-888366  
 www.belfuse.com