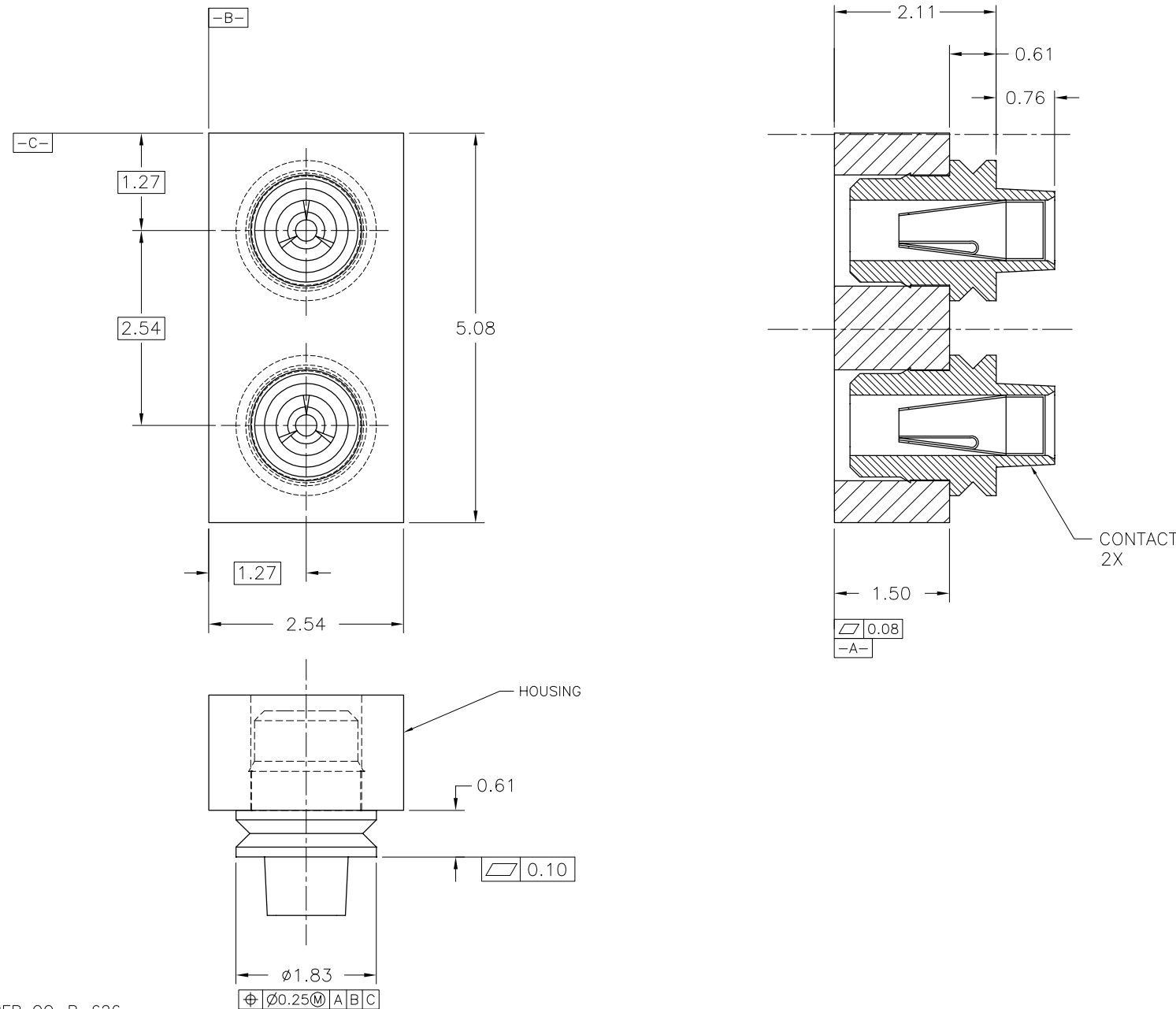


Tous droits strictement reserves. Reproduction ou communication a des tiers interdite sous quelque forme que ce soit sans autorisation ecrite du proprietaire. Propriete de c FCI. Droits de reproduction FCI.

FCI

All rights strictly reserved. Reproduction or issue to third parties in any form whatever is not permitted without written authority from the proprietor. Property of FCI. Copyright FCI.

PRODUCT NUMBER	DESCRIPTION	HOUSING P/N	CONTACT P/N
SIP 41430-001	STANDARD VERSION (TIN/LEAD PLATING)	58826-001	SCR 002V
SIP 41430-001LF	LEAD-FREE VERSION (TIN ONLY OPTION)	58826-001	SCR 002VLF



NOTES

- CONTACT MATERIAL:
OUTER SHELL: BRASS ALLOY 360, 1/2 HARD, PER QQ-B-626.
INNER CONTACT: BERYLLIUM COPPER, ALLOY 172, PER QQ-C-533.
- CONTACT PLATING OPTIONS:
A. TIN/LEAD OPTION
OUTER SHELL: 200u" TIN/LEAD PER MIL-P-81728 TYPE 1, OVER 100u" NICKEL PER QQ-N-290.
INNER CONTACT: 200u" TIN/LEAD PER MIL-P-81728 TYPE 1, OVER 50u" NICKEL PER QQ-N-290.
B. TIN OPTION
OUTER SHELL: 200u" TIN OVER 100u" NICKEL PER QQ-N-290.
INNER CONTACT: 200u" TIN, OVER 50u" NICKEL PER QQ-N-290.
- INSULATOR MATERIAL:
STANYL (46 NYLON) BLACK
- NO CRACKING OF THE INSULATOR IS ALLOWED, EITHER BETWEEN CONTACT POSITIONS OR BETWEEN CONTACT POSITION AND OUTER PERIMETER OF THE INSULATOR.
- TERMINAL RETENTION IN HOUSING: 2 LB. MINIMUM.
- PACKAGE PER GS-14-494.

mat'l. code				tolerances unless otherwise specified		CUSTOMER COPY	 www.fciconnect.com	
ltr	ecn no	dr	date	linear	.X ±.3			projection
A	V05-0282	LP	4/7/05		.XX ±.10	 title 2 POS. SMT, SINGLE ROW REAR ENTRY SIP SOCKET		
				angles	.XXX ±.050		product family	
				dr	L.POTTEIGER 4/7/05	size	dwg no	
				engr	D.HORCHLER 4/7/05	scale	A4	
				chr	D.HORCHLER 4/7/05		58825	
				appd	D.HORCHLER 4/7/05		1 of 1	
sheet index	revision sheet	A	1					

cage code
22526

ACAD