

NOTES :

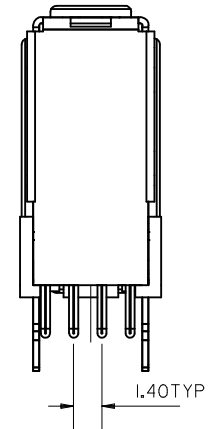
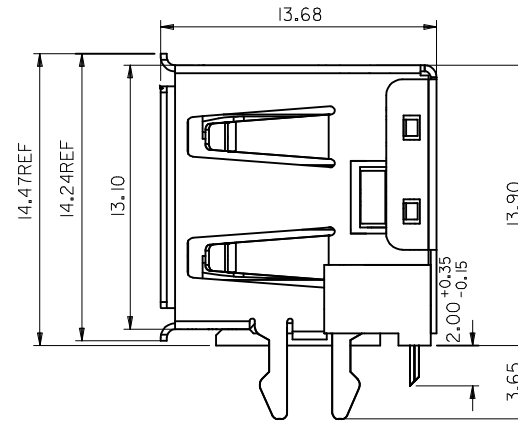
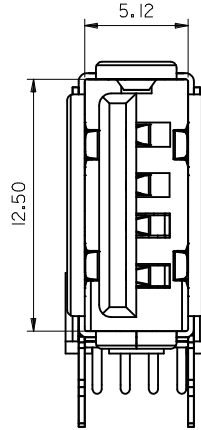
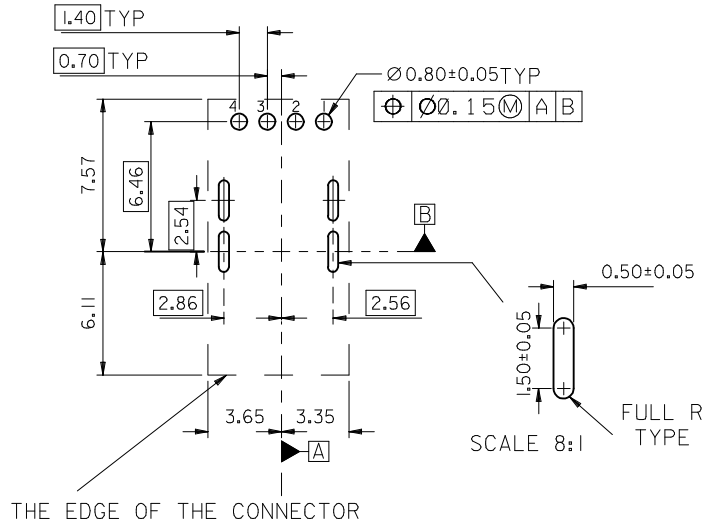
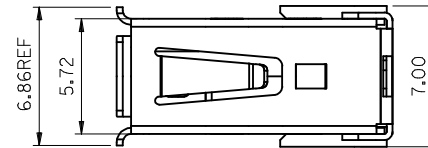
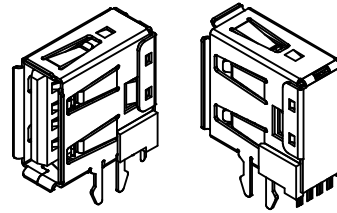
1. MATERIAL :

HOUSING : HIGH TEMPERATURE NYLON , GLASS FIBER, UL94-V0 , COLOR: BLACK  
 TERMINAL : PHOSPHOR BRONZE(PhBr), C5100 EH, PER ES-124-E108  
 METAL SHELL : COPPER ALLOY

2. PLATING :

TERMINAL :  
 CONTACT AREA : (a) GOLD FLASH.  
 (b) GLOD (Au), THICKNESS = 30 MICROINCH/0.76 MICROMETER  
 SOLDER TAIL : TIN,  
 THICKNESS=50-100 MICROINCH/1.27-2.54 MICROMETER  
 UNDER PLATE : NICKEL (Ni), THICKNESS= 50 MICROINCH/1.27 MICROMETER  
 METAL SHELL : TIN,  
 THICKNESS=50-100 MICROINCH/1.27-2.54 MICROMETER  
 UNDER PLATE : NICKEL (Ni), THICKNESS= 50 MICROINCH/1.27 MICROMETER

SURFACE APPEARANCE : BRIGHT  
 3 RECOMMENDED PCB THICKNESS : 1.60±0.05 mm.  
 4 PRODUCT SPECIFICATION : REFER TO PS-89485  
 5 PACKAGING SPECIFICATION : REFER TO PK-67329-001



PART NUMBER LEGEND:

P/N	CONTACT PLATING
67329-8020	GOLD FLASH
67329-8021	0.76 MICROMETER/30 MICROINCH GOLD

NEW RELEASE EC NO: A	DESCRIPTION DRWN:HQJIAN CHKD:HARVEY APPR:HWANG 2005/12/09 2006/01/10 2006/01/10	QUALITY SYMBOLS ▽=0 C=0	GENERAL TOLERANCES (UNLESS SPECIFIED)	DIMENSION STYLE MM ONLY	SCALE 4:1	DESIGN UNITS METRIC	THIRD ANGLE PROJECTION	
			mm INCH	DRAWN BY QIANHUIPING	DATE 2005/12/09	TITLE USB UPRIGHT CONNECTOR FLANG OUT TYPE WITH FORK LOCK LEAD FREE		
			4 PLACES ± --- ± --- 3 PLACES ± --- ± --- 2 PLACES ± 0.25 ± --- 1 PLACE ± 0.25 ± ---	CHECKED BY HARVEY	DATE 2005/12/09	MOLEX INCORPORATED		
			ANGULAR ± 3 °	APPROVED BY GARY	DATE 2005/12/09	MATERIAL NO.	DOCUMENT NO. SD-67329-802	SHEET NO. 1 OF 1
DRAFT WHERE APPLICABLE MUST REMAIN WITHIN DIMENSIONS			SIZE A3	THIS DRAWING CONTAINS INFORMATION THAT IS PROPRIETARY TO MOLEX INCORPORATED AND SHOULD NOT BE USED WITHOUT WRITTEN PERMISSION				