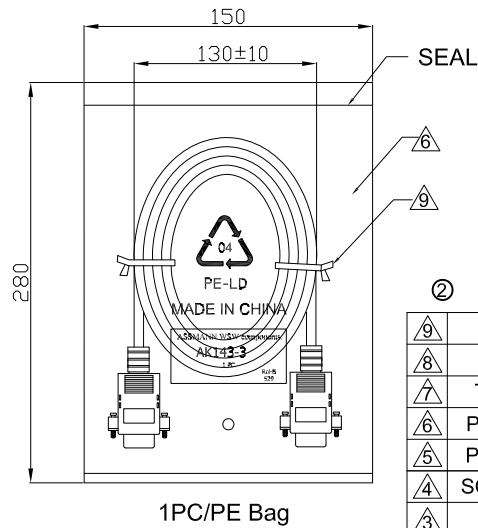


②①

PIN ASSIGNMENT	
P1	P2
1	4
2	3
3	2
4	1
5	5
7	8
8	7
9	9
SHELL	DRAIN
	SHELL



Electrical test:  
 1. 100% short, open, miss wire test;  
 2. Conduct resistance: 2 Ohm max;  
 3. Insulator resistance: 5Mohm min;  
 ② 4. Dielectric test: DC 300V.

②

NO.	NAME.	Q'TY	SPECIFICATION
⑨	TIE	2pcs	WHITE TIE L=120mm
⑧	S/R	5.5g	BEIGE (IV-29#) 45P PVC
⑦	TUBE	2pcs	HEAT SHRINK TUBE BLACK OD 1.5*20mm
⑥	PE Bag	1/10pcs	CLEAR, SIZE: 360*380*0.05mm, PRINT BLACK "MADE IN CHINA"+ "10PCS"
⑤	PE Bag	1pcs	CLEAR, SIZE: 150*280*0.05mm, PRINT BLACK "MADE IN CHINA"+ "1PC"
④	SCREW	4pcs	SCREW #4-40UNC L=12.5mm, NICKEL PLATED
③	DKN	2pcs	DB9P DKN W/O NUT BEIGE
②	CONN	2set	DB 9P FEMALE SOLDER TYPE G/F, BLUE INSULATION, SHELL NICKEL PLATED
①	CABLE	1pcs	NO UL 30AWG(7/0.10)*8C+D+AL OD:5.0mm COLOR BEIGE(IV-29#) L=3000±15mm

RoHS compliant  
Unit:mm

Scale	Free				Date	Name	Customer-No.
TOLERANCE					Drawn	05.04.2016	Amy
					Approved	06.11.2019	Amy
		②	Update	06.11.2019	Segal		
		①	Update pin assignment	20.12.2018	Xavier		
		①	Drawn	05.04.2016	Amy		
Angle	TOL	Id.	Modification	Date	Name		
						Drawing-No.	ASS 7600 CA rev02
						Replace	Sheet

1

2

3

4

5

6

7