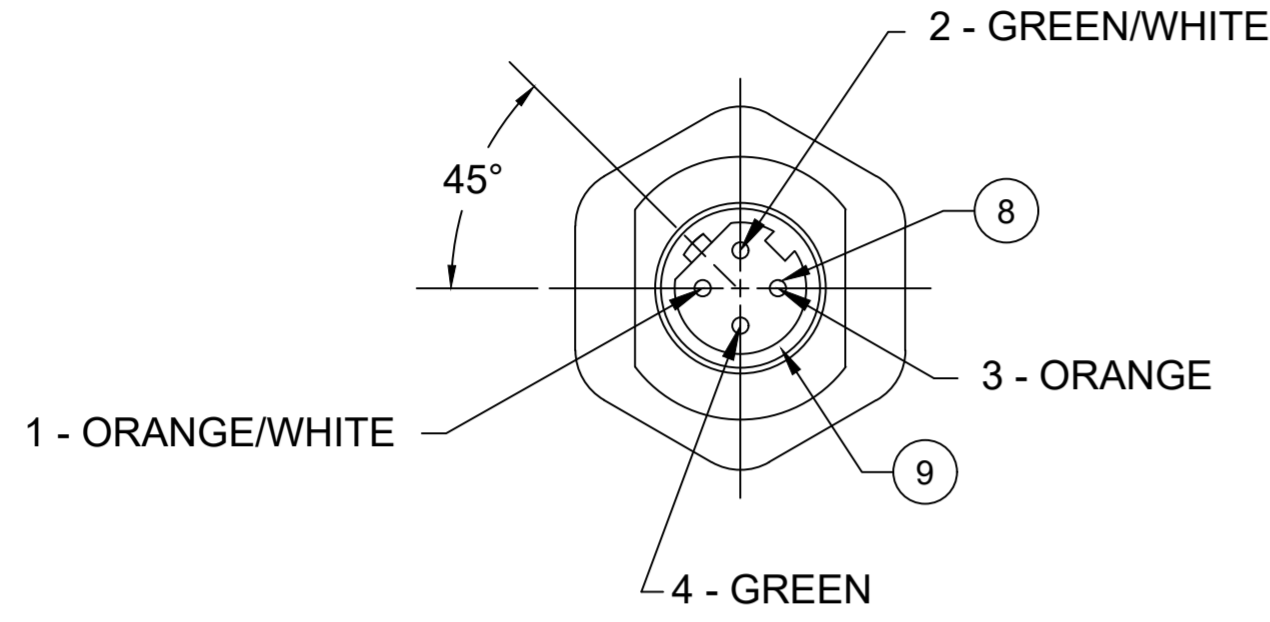
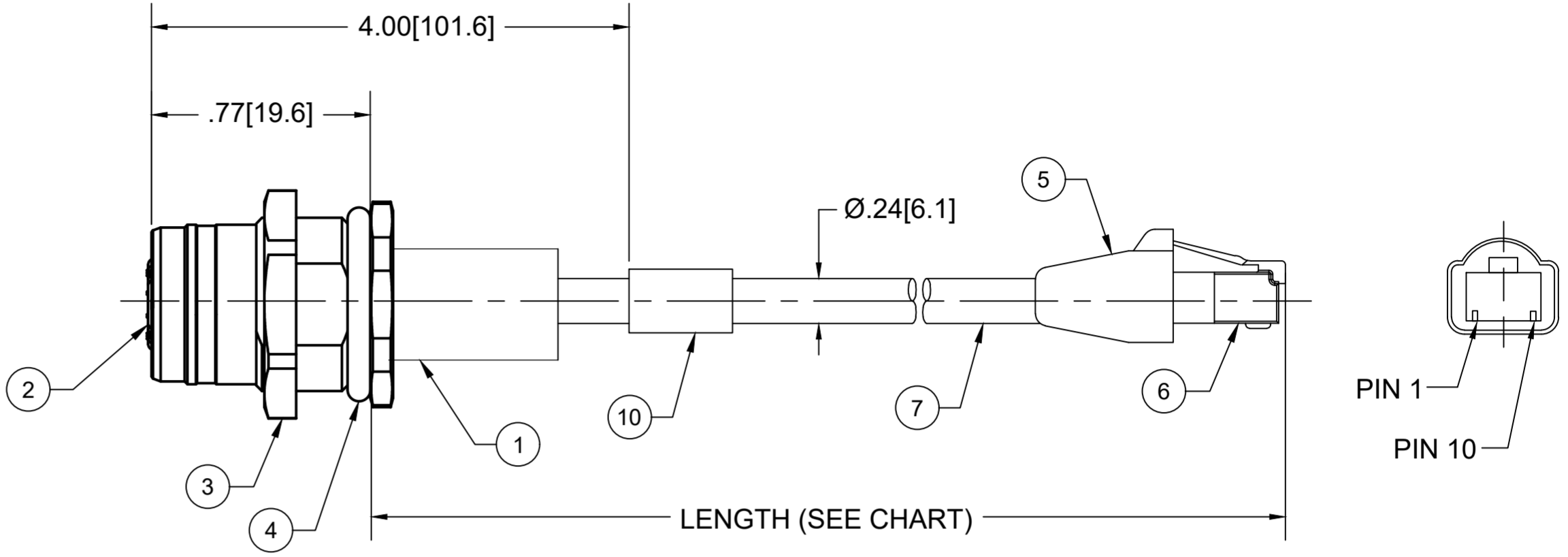


PART NO	ENGINEERING NO.	FINISHED LENGTH
1300580125	ERWPAB3004M005	0.5M [1FT 7 IN]
1300580304	ERWPAB3004M050	5M [16FT 5 IN]
1300580308	ERWPAB3004M100	10M [32FT 9 IN]



FEMALE MIC RECEPTACLE FRONT VIEW



- NOTES:
- MATERIAL: AS NOTED
 - FINISH: AS NOTED
 - ELECTRICAL:
VOLTAGE: 125V
CURRENT: 1.5A
 - TEMP RATING: -20° TO +75°C
 - PROTECTION: IP67 (WHEN MATED)
 - UL E200650
 - ALL DIMENSIONS ARE FOR REFERENCE UNLESS TOLERANCED OR NOTED OTHERWISE

M12 FEMALE RECEPTACLE	RJ-45 CONNECTOR 10 BASE-T
PIN 1 - ORANGE/WHITE	PIN 1 - ORANGE/WHITE
PIN 2 - GREEN/WHITE	PIN 2 - ORANGE
PIN 3 - ORANGE	PIN 3 - GREEN/WHITE
PIN 4 - GREEN	PIN 4 - NO CONNECTION
	PIN 5 - NO CONNECTION
	PIN 6 - GREEN
	PIN 7 - NO CONNECTION
	PIN 8 - NO CONNECTION

MECHANICAL CHARACTERISTICS:

FLEX LIFE:	(126 CYCLES/MIN @ 20° C) 1 MILLION CYCLE TEST (10X CABLE O.D., MINIMUM RADIUS) 10 MILLION CYCLE TEST (20X CABLE O.D., MINIMUM RADIUS)
TORSIONAL FLEX:	(1 LB LOAD, 360°, 71 CYCLES/MIN @ 20° C) 3 MILLION CYCLE TEST

PART NO. MATRIX
ERWPAB3004M005

FINISHED LENGTH:
M005= 0.5 METER
M010= 1 METER
M100= 10 METER

CABLE LENGTH TOLERANCES

<.3M [1FT]: +19mm-0 [+.75in-0]
.3 - .9M [1 - 3FT]: +44.5mm-0 [+1.75in-0]
.9 - 1.8M [3 - 6FT]: +55.6mm-0 [+2.19in-0]
1.8 - 3.7M [6 - 12FT]: +88.9mm-0 [+3.50in-0]
3.7 - 7.3M [12 - 24FT]: +165.1mm-0 [+6.50in-0]
7.3-14.6M [24 - 48FT]: +317.5mm-0 [+12.50in-0]
14.6 - 30.5M [48-100FT]: +622.3mm-0 [+24.50in-0]
OVER 30M [100FT] +2% OF FINISHED LENGTH

ITEM	COMPONENT	MATERIAL	FINISH
10	WRAP LABEL	VINYL	BLACK/YELLOW
9	GASKET	VITON	RED
8	CONTACT PIN FEMALE	COPPER ALLOY	GOLD PLATED
7	CABLE, ETHERNET, 24-4	TPE JACKET	TEAL
6	RJ45 MODULAR PLUG	POLYCARBONATE	---
5	RJ45 BOOT HOODED	PVC	BLACK
4	O-RING	NITRILE	BLACK
3	LOCKNUT	BRASS	NICKEL PLATED
2	FEMALE INSERT	PUR	BLACK
1	RECEPTACLE SHELL	BRASS	NICKEL PLATED

FUNCTIONAL SYMBOLS $F_A=0$ $F_C=0$ $F_P=0$ DIVISIONAL SYMBOLS	THIS DRAWING CONTAINS INFORMATION THAT IS PROPRIETARY TO MOLEX ELECTRONIC TECHNOLOGIES, LLC AND SHOULD NOT BE USED WITHOUT WRITTEN PERMISSION		CURRENT REV DESC: INITIAL RELEASE		<p>CORD ASSEMBLY, ULTRA LOCK M12 REC D-CODE FEMALE TO RJ45 PLUG MALE, STRAIGHT, 24-4 ETHERNET CABLE</p> <p>PRODUCT CUSTOMER DRAWING</p>
	DIMENSION UNITS	SCALE	EC NO: 648668		
	INCH/MM	NTS	DRWN: ABENJAMINLW	2020/09/22	
	GENERAL TOLERANCES (UNLESS SPECIFIED)		CHK'D: RSTONE	2020/11/11	
mm		INCH		APPR: BWOODMAN	2020/11/18
4 PLACES ±----		±----		INITIAL REVISION:	
3 PLACES ±----		±----		DRWN: ABENJAMINLW	2020/09/22
2 PLACES ±----		±----		APPR: BWOODMAN	2020/11/18
1 PLACE ±----		±----		DOCUMENT NUMBER	
0 PLACES ±----		±----		1300580124	
ANGULAR TOL ± ---- °		THIRD ANGLE PROJECTION		DOC TYPE/DOC PART/REVISION	
DRAFT WHERE APPLICABLE MUST REMAIN WITHIN DIMENSIONS		DRAWING C-SIZE		PSD 000 A	
		SERIES 130058		MATERIAL NUMBER	
				SEE CHART	
				CUSTOMER GENERAL MARKET	
				SHEET NUMBER 1 OF 1	