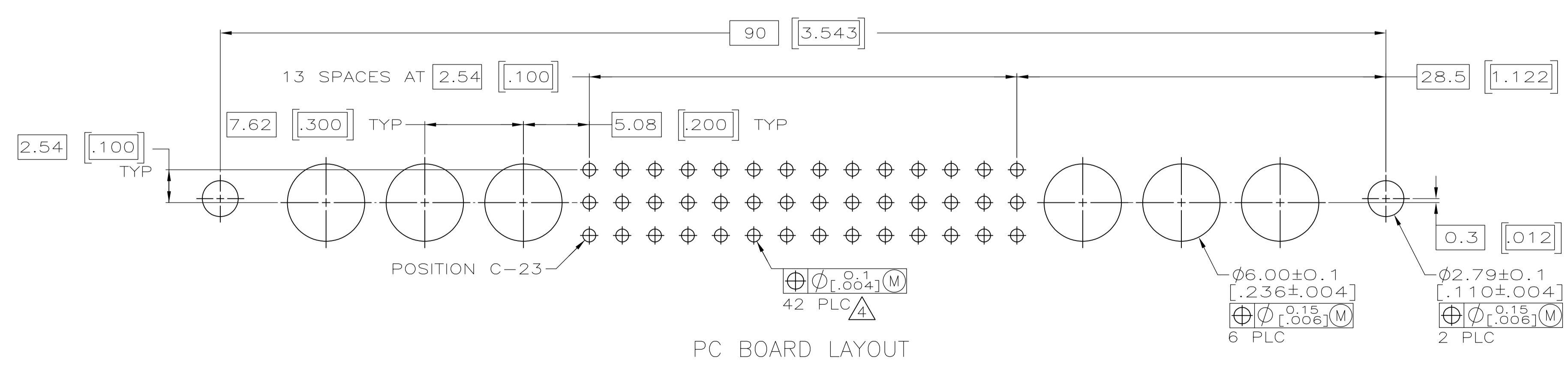
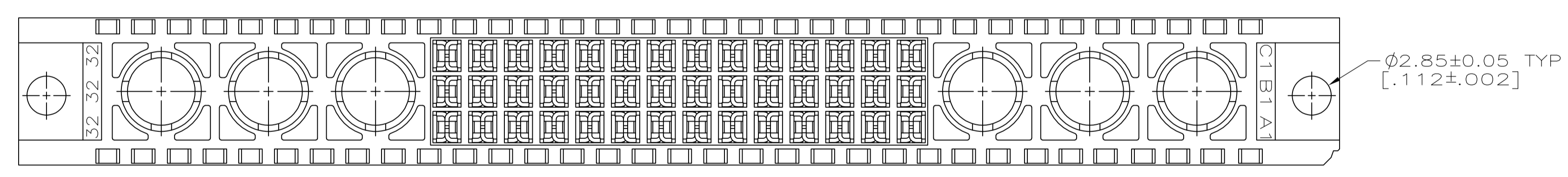
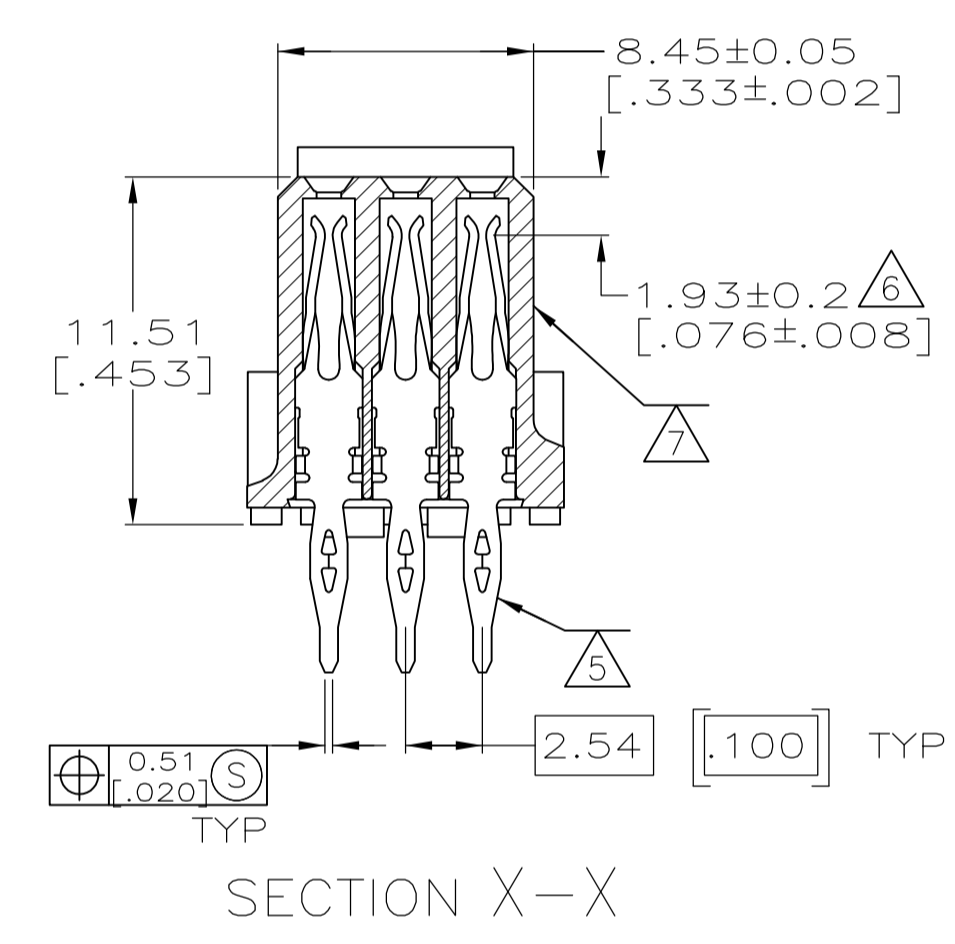
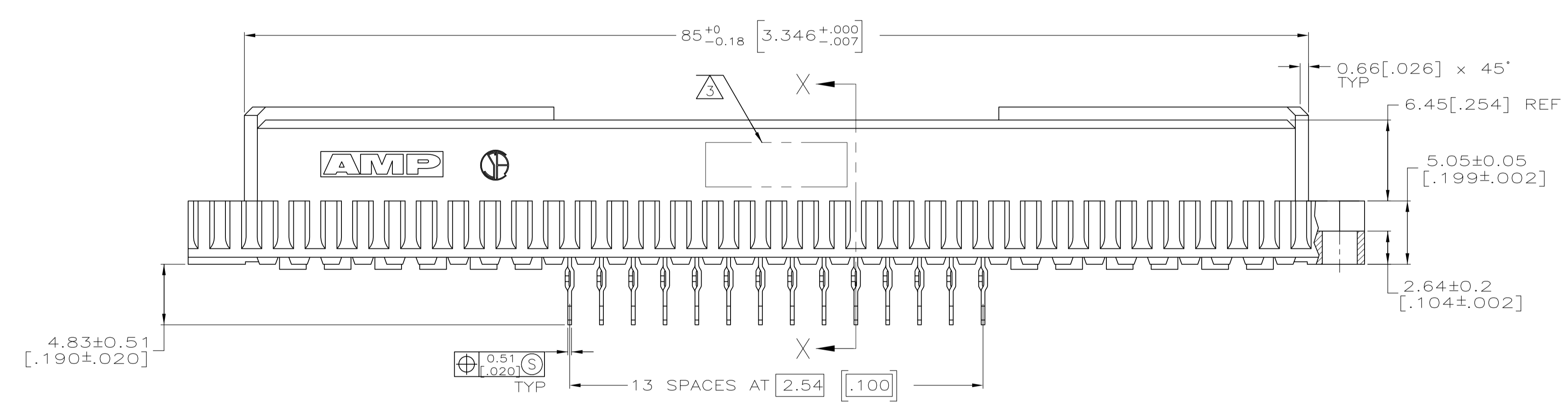
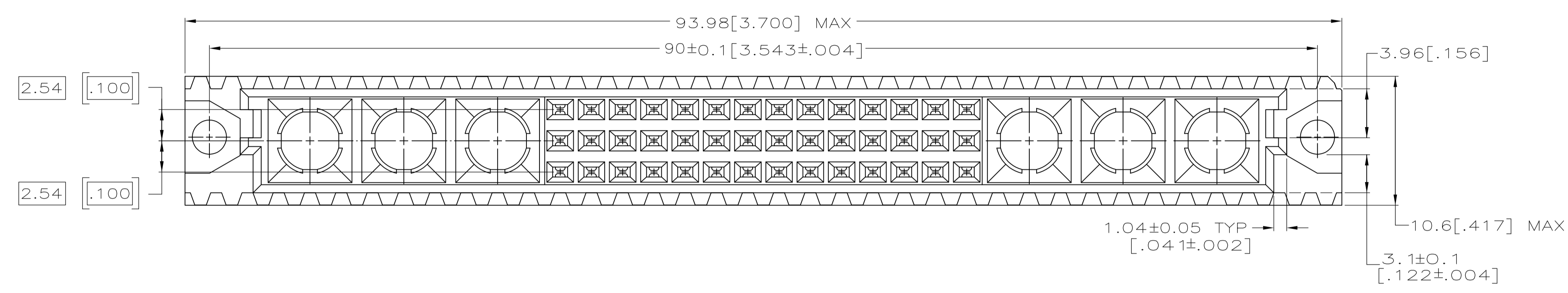


- 1 HOUSING MATERIAL: GLASS-FILLED POLYMER.
- 2 CONTACT MATERIAL: COPPER ALLOY.
- 3 PART NUMBER, DATE CODE IDENTIFICATION, CSA LOGO IN THIS APPROXIMATE AREA.
- 4 ACTION PIN POSTS REQUIRE 1.57[.062] MINIMUM THICK PC BOARD. RECOMMENDED PC BOARD DRILLED HOLES ARE $\phi 1.15 \pm 0.025$ [.0453 \pm .0010] WITH 0.02-0.08 [.001-.003] COPPER AND 0.008 [.0003] MINIMUM TIN-LEAD PLATING. FINISHED HOLES AFTER PLATING $\phi 0.94-1.09$ [.037-.043].
- 5 CONTACT FINISH: DIN 41612 CLASS 2 IN CONTACT AREA. TIN PLATE ON POSTS.
- 6 CONTACT POINT.
- 7 MARKING ON THIS SIDE.



5148423-5
PART NUMBER

THIS DRAWING IS A CONTROLLED DOCUMENT.		DWN J. POLIGNONE 14APROS	Tyco Electronics Corporation Harrisburg, PA 17105-3608
DIMENSIONS: mm [INCHES]		CHK A. SHARPE 14APROS	
TOLERANCES UNLESS OTHERWISE SPECIFIED:		NAME	ASSEMBLY, RECEPTACLE, TYPE M, EUROCARD, 42+6, PRESS-FIT, 4.83[.190]
0 PLC ± -		PRODUCT SPEC	
1 PLC ± -		APPLICATION SPEC	
2 PLC ± 0.13[.005]		SIZE	A1
3 PLC ± -		CAGE CODE	00779
4 PLC ± -		DRAWING NO	5148423
ANGLES ± -		RESTRICTED TO	
FINISH		WEIGHT	-
1 2		CUSTOMER DRAWING	SCALE 4:1 SHEET 1 OF 1 REV 01