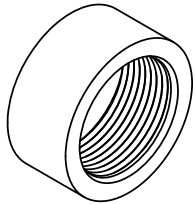


8 7 6 5 4 3 2 1

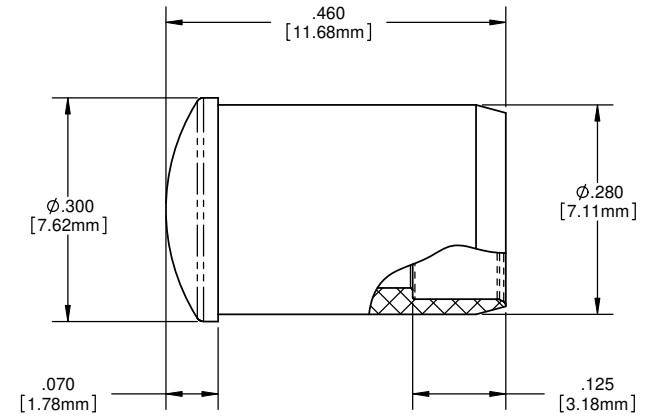
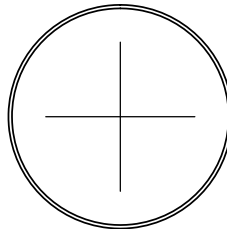
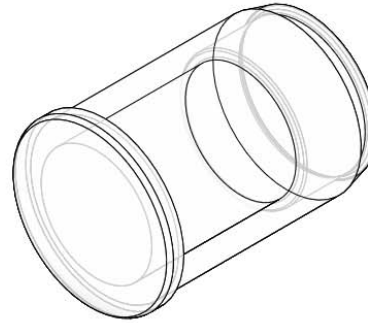
- NOTES:
1. MOUNTING: Mounts in a $\phi .281 \pm .002$ [$\phi 7.13\text{mm} \pm .05$] panel hole on .375 [9.5mm] centers. Panel thickness .031 [0.8mm] to .250 [6.35mm]. Panel hole should be deburred, but not chamfered.
 2. ASSEMBLY: Insert lens through panel hole, slide RNG 268 retainer on back of lens. PCB mounted LEDs slide into lens when the panel cover is closed or the PCB card is inserted into the case.
 3. MATERIAL: Polycarbonate, UL 94-V2
 4. U.S. & Foreign Pat. Issued & Pend.

REVISIONS				
ECN#	REV.	DESCRIPTION	DATE	INITIALS
	001	REVISED PER EC R111009AZ01	4-23-10	SMU

RETAINER
(ORDER SEPARATELY)



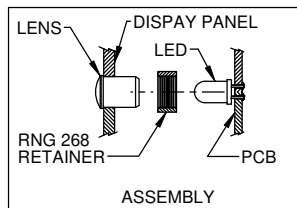
RNG 268



ORDERING CODE : CML327 XXX

MODEL

LENS COLOR	
CTP	CLEAR TRANSPARENT



DIMENSION STYLE: INCHES / MM GENERAL TOLERANCES UNLESS OTHERWISE SPECIFIED: X .000 .008 XX .010 .024 XXX .015 .037 ANGLES 1° DIMENSIONS UNLESS OTHERWISE SPECIFIED EDGE 100 MAX	MATERIAL	VCC OPTOELECTRONICS 190 BOSSICK BLVD. SUITE 101 SAN MARCOS, CA 92069 U.S.A. PHONE: (760) 560-1300, FAX: (760) 560-1301 EMAIL: vccsales@vcclite.com		
	POLYCARBONATE, UL 94-V2			
THIRD ANGLE PROJECTION PROPRIETARY AND CONFIDENTIAL THE INFORMATION CONTAINED IN THIS DRAWING IS THE SOLE PROPERTY OF VCC OPTOELECTRONICS. NO PART OF THIS DRAWING IS TO BE REPRODUCED OR TRANSMITTED IN ANY FORM OR BY ANY MEANS, ELECTRONIC OR MECHANICAL, WITHOUT PERMISSION IN WRITING FROM VCC OPTOELECTRONICS.	FINISH	TITLE:		
	SEE NOTES	5MM ROUND PLAIN END LENS		
APPROVAL	DATE	SIZE	DWG. NO.	REV
DRAWN SMU	4-23-10	B	CML 327 XXX	001
CHECKED DZ	4-23-10	SCALE: 1:1	SHEET 1 OF 1	
DO NOT SCALE DRAWING				

8 7 6 5 4 3 2 1