

## ADC 5 click

PID: MIKROE-2846

Weight: 24 g

**ADC 5 click** is a device used to sample an analog voltage on the input and convert it to a digital information. In general, ADC (analog to digital converters) are the most commonly used devices for converting the voltage signals into an information, which can be then processed in the digital domain. There are many types of ADC converters commercially available. They can vary in bit depth, sample rate, used approximation algorithm (SAR, delta-sigma...) and so on. Those attributes affect how accurately the sampled voltage will be translated into the digital world.

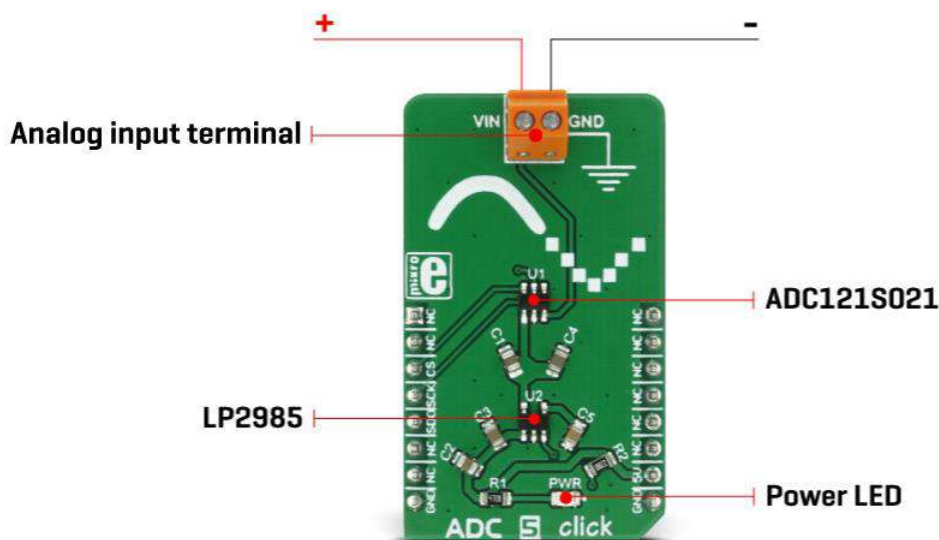
ADC 5 click uses the ADC121S021 device from Texas Instruments - a low power, single channel 12-bit CMOS analog to digital converter, with a high-speed serial interface. This device uses the SAR algorithm for sampling the input voltage which, coupled with relatively high bit depth, gives a pretty accurate digital reconstruction of the input voltage.

## How does it work?

The ADC 5 click is equipped with the ADC121S021, a 12-bit CMOS ADC device from Texas Instruments. This AD converter is using a reference voltage obtained from the LP2985 LDO regulator from the same company, which provides a clean and accurate regulated voltage on its output, perfectly suited to be used as the reference voltage for this converter. Since the reference voltage is set to 3.3V, the maximum value of the input voltage is also 3.3V.

The device uses the SPI communication. The MOSI pin does not exist, since no communication from the MCU to the click board™ is going on. The reading speed, also known as the sample rate, directly depends on the clock rate of the SCK line. The sample rate over which the specified electrical performance is ensured is 50 Ks/s to 200 Ks/s. The ADC121S021 has the ability to use any clock signal frequency up to the rated maximum frequency, so the sample rate can be changed continuously.

The sample rate is usually the determining factor when the maximum frequency of the input signal is considered. The aliasing of the input signal can occur as the input signal frequency is nearing half the sample rate of the converter. The bandwidth of the input signal is limited by this frequency, also called the Nyquist frequency, so using input frequencies beyond the Nyquist frequency, results with a very inaccurate conversion.



ADC converters in general, use a range of different mechanisms to convert the voltage on their input terminals. The ADC121S021 AD converter uses the SAR, or the successive approximation method for the conversion, which consists of comparing the input voltage with a series of internally generated voltage values. At each step in this process, the approximation is stored in a successive approximation register. The comparing steps are continued until the desired resolution is reached.


The ADC click board is also equipped with the screw terminal which can be used for easy and secure connection of the input voltage rail. Although the reference voltage is 3.3V, it is powered only by the 5V rail from the mikroBUSTM, used as the input for the LDO regulator.

## Specifications

Type	ADC
Applications	ADC 5 click can be used to digitally convert input voltage signals up to 3.3V so that the signals can be analyzed by various mathematical models and algorithms on the CPU or MCU.
On-board modules	ADC121S021 a single channel, 50ks/s to 200Ks/s, a 12-Bit SAR ADC, LP2950 - micropower voltage regulator with low voltage drop, both made by Texas Instruments.
Key Features	The ADC 5 click specified to work with sample rates from 50Ks/s to 200Ks/s. It uses a precise LDO as a reference voltage source and SAR approximation method of sampling
Interface	SPI
Input Voltage	5V
Click board size	M (42.9 x 25.4 mm)

## Pinout diagram

This table shows how the pinout on **ADC 5 click** corresponds to the pinout on the mikroBUS™ socket (the latter shown in the two middle columns).

	Pin					Pin	Notes
	NC	1	AN	PWM	16	NC	
	NC	2	RST	INT	15	NC	
Chip select	<b>CS</b>	3	CS	RX	14	NC	
SPI clock	<b>SCK</b>	4	SCK	TX	13	NC	
SPI data output	<b>SDO</b>	5	MISO	SCL	12	NC	
	NC	6	MOSI	SDA	11	NC	
	NC	7	3.3V	5V	10	<b>+5V</b>	Power supply
Ground	<b>GND</b>	8	GND	GND	9	<b>GND</b>	Ground

## ADC 5 click electrical specifications

Description	Min	Typ	Max	Unit
Vin (analog input)	0		3.3	V
ADC reference voltage		3.3		V

## Onboard settings and indicators

Label	Name	Default	Description
PWR	PWR	-	Power LED indicator
TB1	TB1	-	Analog input terminal

## Software Support

We provide a library for ADC 5 click on our LibStock page, as well as a demo application (example), developed using MikroElektronika compilers. The demo can run on all the main MikroElektronika development boards.

### Library Description

#### Key functions

`adc5_getData`- Returns raw 10-bit data

`adc5_getVoltage`- Returns measured voltage in millivolts

### Examples Description

The demo application is composed of three sections:

- System Initialization - CS GPIO as the output pin, initializes SPI and UART for logging.
- Application Initialization - Initializes ADC 5 driver.
- Application Task (code snippet) - Sequential reading of the voltage. Information about the current voltage is logged to UART. The operation is repeated every second.

```
void applicationTask ()
{
    ADC_Value = adc5_getVoltage();

    WordToStr( ADC_Value, text );
```

```
    mikrobus_logWrite( "Voltage:", _LOG_TEXT );
    mikrobus_logWrite( text, _LOG_TEXT );
    mikrobus_logWrite( "  mV", _LOG_LINE );
    Delay_1sec();
}
```

The full application code, and ready to use projects can be found on our LibStock page.

Other MikroElektronika libraries used in the example:

- UART
- Conversions
- String

### **Additional notes and information**

Depending on the development board you are using, you may need USB UART click, USB UART 2 click or RS232 click to connect to your PC, for development systems with no UART to USB interface available on the board. The terminal available in all MikroElektronika compilers, or any other terminal application of your choice, can be used to read the message.

mikroSDK

This click board is supported with mikroSDK, the MikroElektronika Software Development Kit. To download mikroSDK visit LibStock. For more information about SDK, visit the official page.

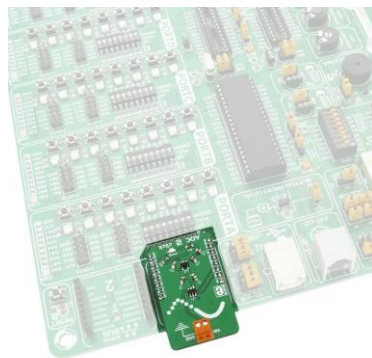
### **Downloads**

mikroBUS™ Standard specification

ADC121S021 datasheet

ADC 5 click schematic

LibStock: ADC 5 click library



<https://www.mikroe.com/adc-5-click> 1-15-18