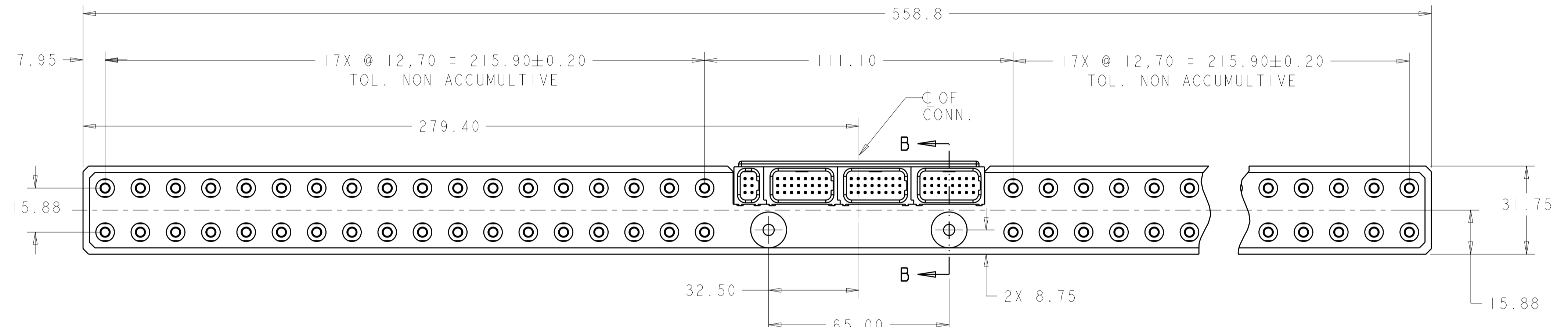
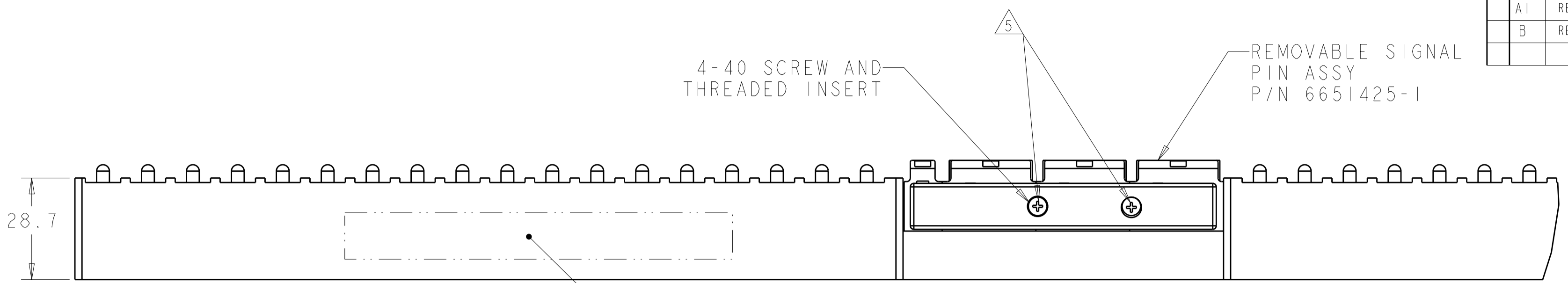


THIS DRAWING IS UNPUBLISHED. RELEASED FOR PUBLICATION 20  
 © COPYRIGHT 20 BY TYCO ELECTRONICS CORPORATION. ALL RIGHTS RESERVED.

LOC	DIST	REVISIONS			
P	LTR	DESCRIPTION	DATE	DWN	APVD
GP	00	A	NEW RELEASE	30OCT2007	RG PD
		AI	REV. PENDING	14MAY2008	RG DO
		B	REV PER ECO-08-014286	17JUN2008	RG DO



1. PART NUMBER CHANGES AND OR DESIGN CHANGES AFFECTING ITEM INTERCHANGEABILITY REQUIRE PRIOR TYCO ELECTRONICS APPROVAL AND AUTHORIZATION BY REVISION TO THIS DRAWING.

2. MATERIAL:  
 POWER INSULATOR - ULTEM 1000, COLOR - BLACK  
 SIGNAL INSULATOR - THERMOPLASTIC, GLASS REINFORCED  
 COLOR - BLACK, UL94V-0 FLAMABILITY RATED.  
 POWER PIN CONTACT - COPPER ALLOY  
 SIGNAL PINS - BRASS ALLOY  
 RETENTION CLIP - BERYLLIUM COPPER

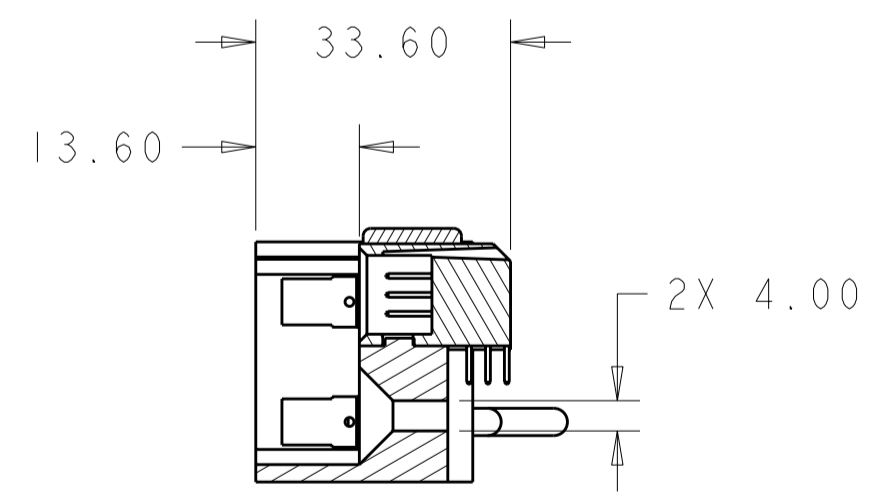
3. FINISH:  
 POWE CONTACT - GOLD PLATE 0.76µm MIN THK. OVER NICKEL 1.02µm MIN THK.  
 SIGNAL CONTACT - SELECTIVE GOLD PLATE 0.76µm OVER NICKEL 1.27µm MIN THK.  
 SOLDER TAILS - TIN 3.05 MIN THK. OVER NICKEL 1.27 MIN THK.

△ ITEMS PROVIDED TO THIS SPECIFICATION TO NE PERMANENTLY IDENTIFIED PER THE FLOWING IDENTIFIER:

YEAR    WEEK   

TYCO ELECTRONICS P/N    DATE CODE (e.g. 0425)   

XXXXXXXX-X XXXX



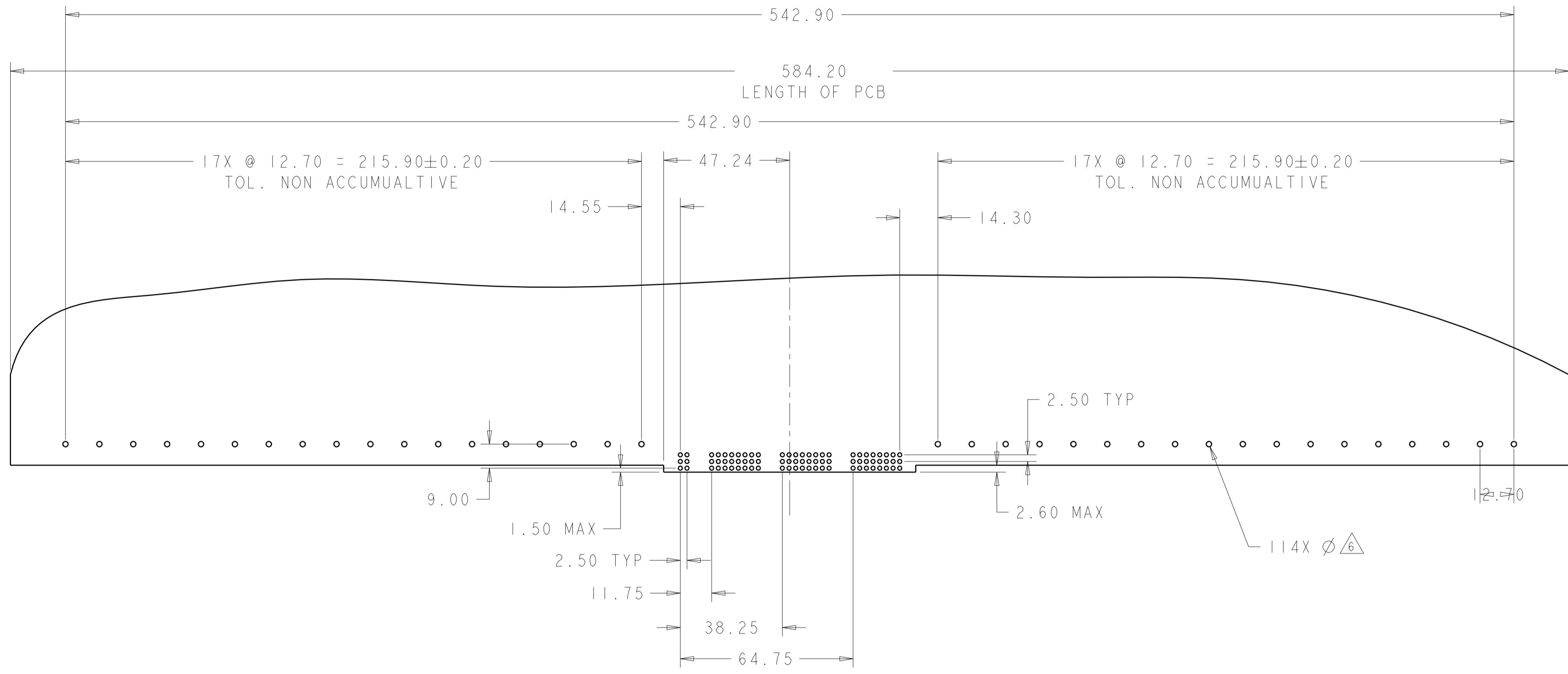
SECTION B-B

AS SHOWN	6651430-1
DESCRIPTION	PART NUMBER

THIS DRAWING IS A CONTROLLED DOCUMENT FOR TYCO ELECTRONICS CORPORATION. IT IS SUBJECT TO CHANGE AND THE CONTROLLING ENGINEERING ORGANIZATION SHOULD BE CONTACTED FOR THE LATEST REVISION.		DWN R. GRZYBOWSKI 30OCT2007	Tyco Electronics Harrisburg, PA 17105-3608	
DIMENSIONS: mm		CHK P. DAMATO 30OCT2007	NAME TOP ASSEMBLY, PIN CONN. 72X POWER, 78X SIGNAL CUSTOM	
TOLERANCES UNLESS OTHERWISE SPECIFIED:		APVD S. FLICKINGER 30OCT2007	SIZE CAGE CODE DRAWING NO RESTRICTED TO	
0 PLC ±.5	1 PLC ±.25	PRODUCT SPEC -	A200779	C-6651430
2 PLC ±.25	3 PLC ±.	APPLICATION SPEC -	SCALE SHEET OF 3 REV B	
4 PLC ±.	ANGLES ±.5	WEIGHT -		
MATERIAL -	FINISH -	CUSTOMER DRAWING		

THIS DRAWING IS UNPUBLISHED. RELEASED FOR PUBLICATION 20  
 © COPYRIGHT 20 BY TYCO ELECTRONICS CORPORATION. ALL RIGHTS RESERVED.

LOC	DIST	REVISIONS					
GP	00	P	LTR	DESCRIPTION	DATE	DWN	APVD
		-		SEE SHEET 1			

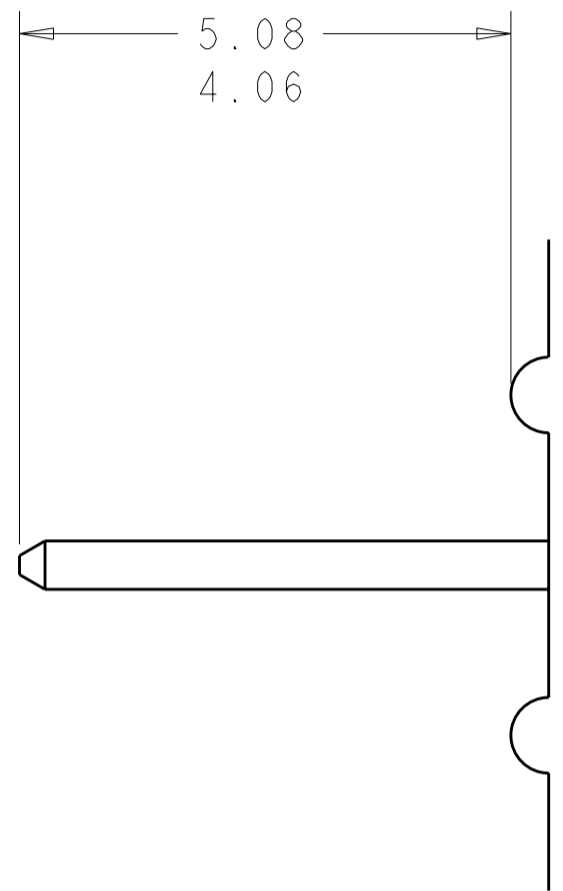


PRINTED CIRCUIT LAYOUT  
 COMPONENT SIDE

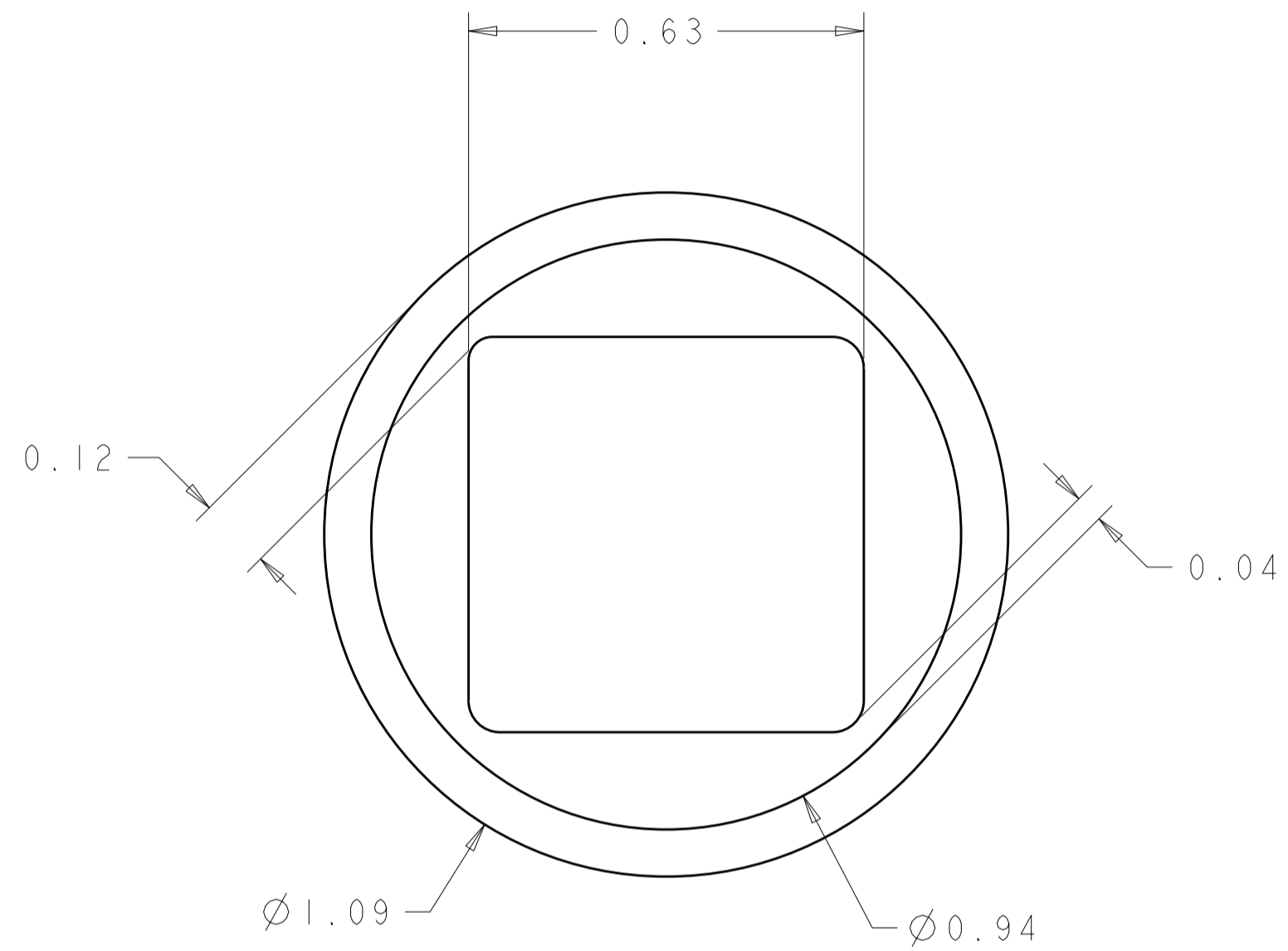
<small>THIS DRAWING IS A CONTROLLED DOCUMENT FOR TYCO ELECTRONICS CORPORATION          IT IS SUBJECT TO CHANGE AND THE CONTROLLING ENGINEERING ORGANIZATION          SHOULD BE CONTACTED FOR THE LATEST REVISION.</small>		DWN R. GRZYBOWSKI 30OCT2007 CHK P. DAMATO 30OCT2007 APVD S. FLICKINGER 30OCT2007	<b>Tyco Electronics</b> Tyco Electronics Harrisburg, PA 17105-3608
DIMENSIONS: mm 	TOLERANCES UNLESS OTHERWISE SPECIFIED: 0 PLC ±.5 1 PLC ±.5 2 PLC ±.25 3 PLC ±. 4 PLC ±. ANGLES ±.5 FINISH	PRODUCT SPEC APPLICATION SPEC WEIGHT CUSTOMER DRAWING	NAME TOP ASSEMBLY, PIN CONN. 72X POWER, 78X SIGNAL CUSTOM
MATERIAL			SIZE A200779 CAGE CODE C-6651430 DRAWING NO RESTRICTED TO
		SCALE 1:1	SHEET 2 OF 3 REV B

THIS DRAWING IS UNPUBLISHED. RELEASED FOR PUBLICATION 20  
 © COPYRIGHT 20 BY TYCO ELECTRONICS CORPORATION. ALL RIGHTS RESERVED.

LOC	DIST	REVISIONS			
P	LTR	DESCRIPTION	DATE	DWN	APVD
GP	00	-	SEE SHEET 1	-	-



5. SOLDER PIN DETAIL



△ SOLDER TERMINATION AREA  
 RECOMMENDED PRINTED CIRCUIT HOLE  
 FINISH HOLE: Ø1.02±.08  
 DRILLED HOLE: Ø1.15±.013  
 COPPER PLATE: .025 MIN. (PER SURFACE)  
 TIN PLATE: .008 MIN. (PER SURFACE)

<small>THIS DRAWING IS A CONTROLLED DOCUMENT FOR TYCO ELECTRONICS CORPORATION          IT IS SUBJECT TO CHANGE AND THE CONTROLLING ENGINEERING ORGANIZATION          SHOULD BE CONTACTED FOR THE LATEST REVISION.</small>		DWN R.GRZYBOWSKI 30OCT2007 CHK P.DAMATO 30OCT2007 APVD S.FLICKINGER 30OCT2007	Tyco Electronics Harrisburg, PA 17105-3608
DIMENSIONS: mm	TOLERANCES UNLESS OTHERWISE SPECIFIED: 0 PLC ±.5 1 PLC ±.5 2 PLC ±.25 3 PLC ±. 4 PLC ±. ANGLES ±.5 FINISH	PRODUCT SPEC APPLICATION SPEC WEIGHT	NAME TOP ASSEMBLY, PIN CONN. 72X POWER, 78X SIGNAL CUSTOM
MATERIAL	CUSTOMER DRAWING	SCALE 1:1 SHEET 3 OF 3 REV B	SIZE A200779 CAGE CODE C-6651430 DRAWING NO. 6651430 RESTRICTED TO