

PRODUCT NUMBER

10134160-YXXXLF

- RoHS COMPATIBLE,
- LEAD FREE
- LUBRICANT
- APPLICABLE AWG
- MATERIAL
- PLATING

NOTES

1- PLATING :

1- GOLD FLASH 0.1 μm MIN ON CONTACT AREA
2μm MIN MATTE TIN ON CRIMPING AREA
1.27μm MIN Ni UNDERLAYER

2- PRE-PLATED FULL TIN :
2μm MIN MATTE TIN OVERALL

3- GOLD 0.38μm MIN ON CONTACT AREA
2μm MIN MATTE TIN ON CRIMPING AREA
1.27μm MIN Ni UNDERLAYER

4- GOLD 0.76μm MIN ON CONTACT AREA
2μm MIN MATTE TIN ON CRIMPING AREA
1.27μm MIN Ni UNDERLAYER

2- MATERIAL

- 2- CHRYSOCAL
- 3- CUPRONICKEL (High current version)

3- APPLICABLE AWG

- 1- AWG #16-20 : INSULATOR DIAMETER 2.2MM MAX
- 2- AWG #20-24 : INSULATOR DIAMETER 1.85MM MAX
- 3- AWG #26-30 : INSULATOR DIAMETER 1.27MM MAX

4- LUBRICANT :

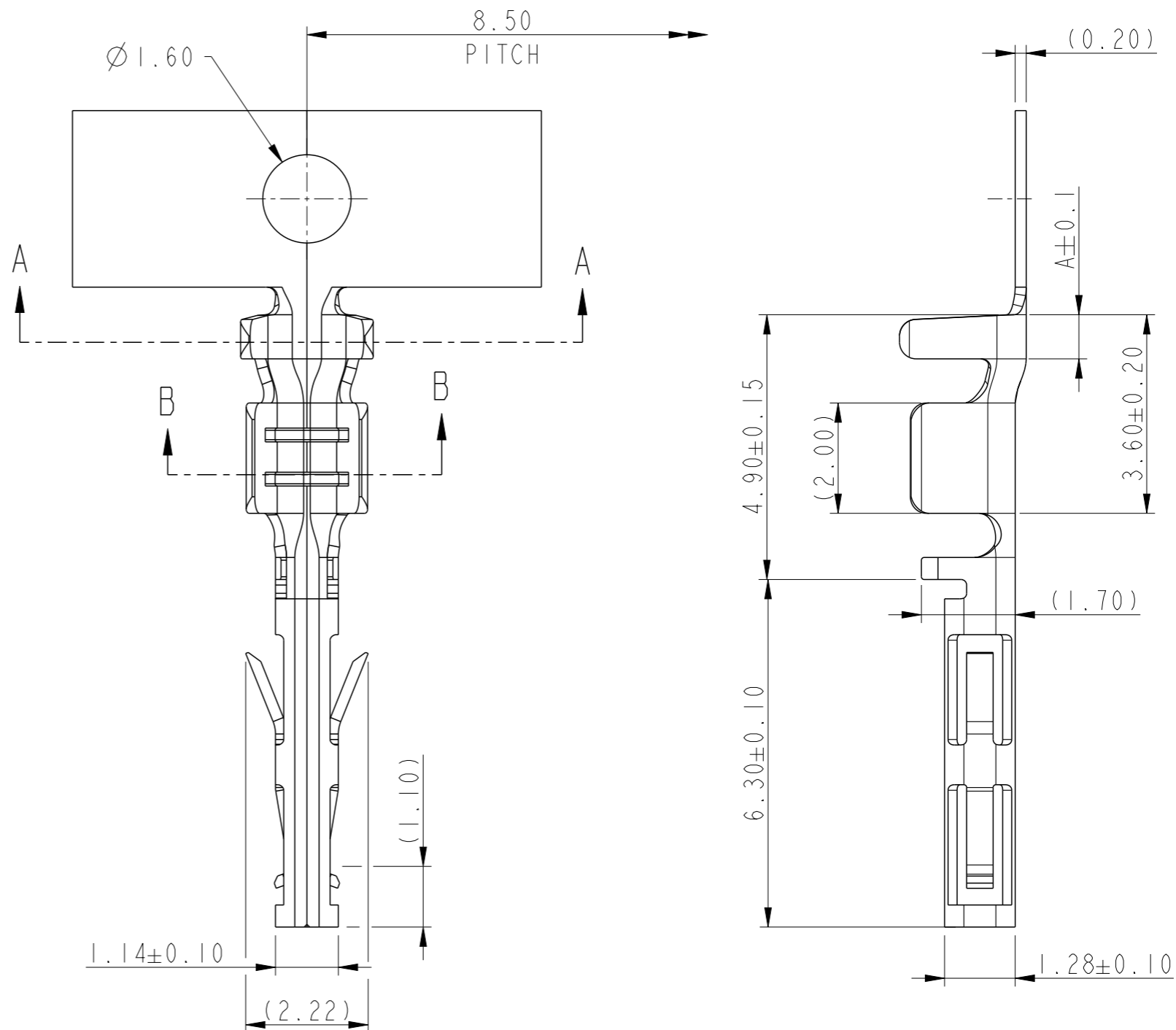
0- NONE

5- PRODUCT SPECIFICATION : GS-12-1177

6- APPLICATION SPECIFICATION : GS-20-0399

7- PACKAGING SPECIFICATION : GS-14-2767

8- THIS PRODUCT MEETS EUROPEAN UNION DIRECTIVES
AND OTHER COUNTRY REGULATIONS AS DESCRIBED IN
GS-47-0004

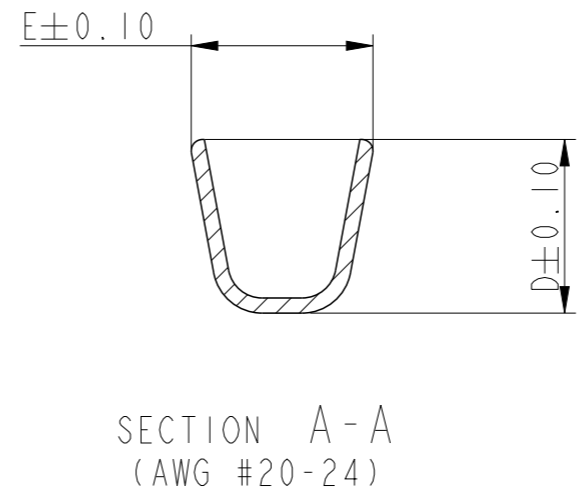
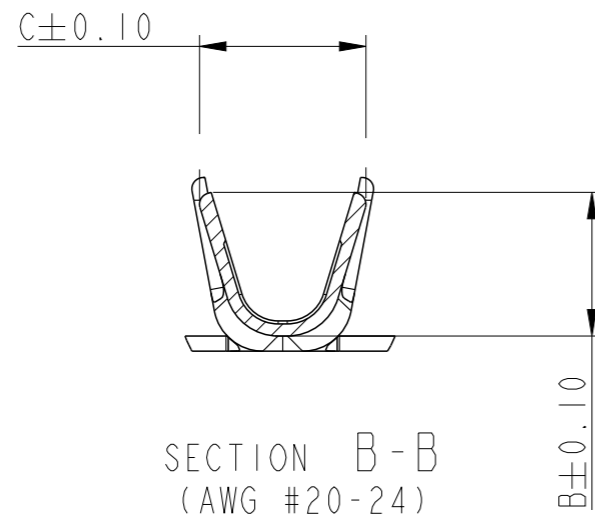


Amphenol FCI

© 2020 Amphenol Corporation

spec ref	-	dr	Glass-adm, Mar	2017/07/11	projection	mm	size	A3	scale	10:1
tolerance std	ISO 406 ISO 1101	eng	Paul Mithun	2023/04/11		mm	ecn no	ELX-I-44620-1	rel level	Released
TOLERANCES UNLESS OTHERWISE SPECIFIED		chr	-	-						
surface	linear	appr	Paul Mithun	2023/04/11	product family	MINITEK	rel level	Released	dwg no	10134160
ISO 1302	angular	0°	±2°	Amphenol FCI	RECEPTACLE CRIMP TERMINAL	MINITEK POWER 3.0	rev	F	cat. no.	-
		Product - Customer Drw		sheet 1 of 2						

PART NUMBER	DIM A	DIM B	DIM C	DIM D	DIM E	APPLICABLE WIRES
10134160-YX3XLF	0.8	1.45	1.60	1.90	2.00	AWG #26-30
10134160-YX2XLF	0.8	1.90	2.20	2.30	2.40	AWG #20-24
10134160-YX1XLF	1.0	2.40	2.60	3.25	3.10	AWG #16-20



spec ref	-	dr	Glass-adm, Mar	2017/07/11	projection	mm	size	A3	scale	10:1
tolerance std	ISO 406 ISO 1101	TOLERANCES UNLESS OTHERWISE SPECIFIED			eng	Paul Mithun	2023/04/11	ecn no	ELX-I-44620-1	
surface	linear	0.X	±0.4	Amphenol FCi	RECEPTACLE CRIMP TERMINAL MINITEK POWER 3.0	MINITEK	rel level	Released		rev F
		0.XX	±0.30							
		0.XXX	±							
ISO 1302	angular	0°	±2°	amphenol-icc.com	cat. no.	-	Product - Customer Drw	sheet 2 of 2		