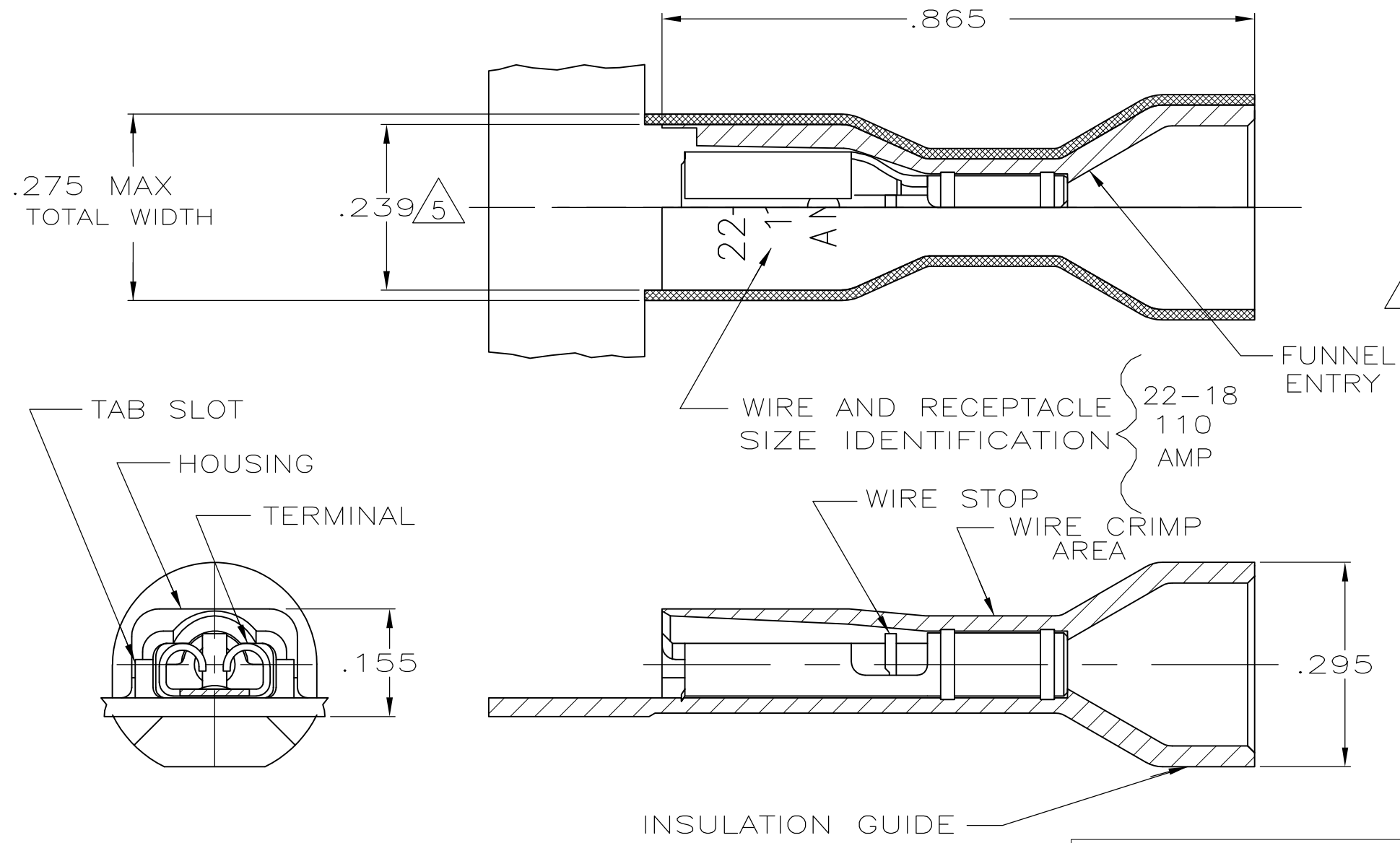



THIS DRAWING IS UNPUBLISHED. RELEASED FOR PUBLICATION  
 © COPYRIGHT - By - ALL RIGHTS RESERVED.

LOC	DIST	REVISIONS					
AF	50	P	LTR	DESCRIPTION	DATE	DWN	APVD
			J	REVISED PER ECR-13-004343	30JUL13	KH	KR



- 1 MATES WITH .032±.001 X .110 OR .125 TABS.
- 2 WIRE STRIP LENGTH .281
- 3 INSULATION SIZE .230 MAX DIA
- 4 CONTINUOUS STRIP ON REELS
- △ 5 DIMENSION DOES NOT INCLUDE TRIM BURR

HOUSING: NYLON, COLOR-RED TRANSLUCENT RECEPTACLE: BRASS TIN	2-520310-2
MATERIAL & FINISH	PART NUMBER

THIS DRAWING IS A CONTROLLED DOCUMENT.		DWN	P FORTNEY	5/8/89	 TE Connectivity
DIMENSIONS: INCHES		CHK	MS FEHER	5/8/89	
TOLERANCES UNLESS OTHERWISE SPECIFIED:		APVD	K RANDOLPH	5/8/89	
0 PLC ± - 1 PLC ± - 2 PLC ± - 3 PLC ± .015 4 PLC ± - ANGLES ± -		NAME		RECEPTACLE ASSY, ULTRA-FAST, .110/.125 SERIES, 22-18 AWG	
MATERIAL SEE TABLE		FINISH SEE TABLE		PRODUCT SPEC	108-2043
				APPLICATION SPEC	114-2123
				WEIGHT	-
				SIZE	A3
				CAGE CODE	00779
				DRAWING NO	C-520310
				RESTRICTED TO	-
				SCALE	5:1
				SHEET	1 OF 1
				REV	J