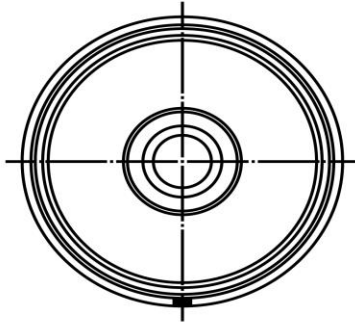
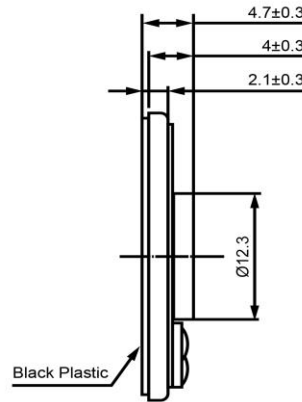


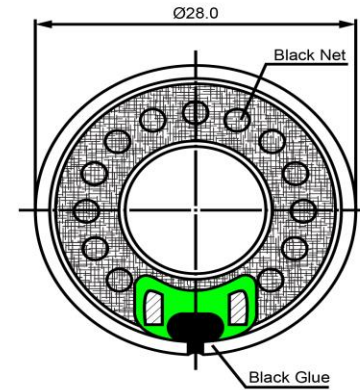
TOP VIEW



SIDE VIEW



BOTTOM VIEW



Specifications

| Description           | Value          | Unit  |
|-----------------------|----------------|-------|
| Shape                 | Round          |       |
| Resonant Frequency    | 550            | (Hz)  |
| Frequency Range       | 550 ~ 7,000    | (Hz)  |
| SPL @ 10cm            | 90             | (dBA) |
| Impedance             | 8              | (Ohm) |
| Cone Material         | Polyetherimide |       |
| Nominal Power         | 0.5            | (W)   |
| Max Power             | 0.7            | (W)   |
| Mount Type            | Flush Mount    |       |
| Operating Temperature | -20 ~ +80      | °C    |
| Storage Temperature   | -30 ~ +80      | °C    |
| Weight                | 5.7            | (g)   |

Notes

- 1) All dimensions are in mm unless otherwise noted
- 2) All parts meet RoHS



Revision History

| Version  | Description               | Date       | Approved |             |          |
|----------|---------------------------|------------|----------|-------------|----------|
| 1        | Released from Engineering | 2/5/2014   | J.S.     |             |          |
|          |                           |            |          |             |          |
|          |                           |            |          |             |          |
|          |                           |            |          |             |          |
|          |                           |            |          |             |          |
|          |                           |            |          |             |          |
|          |                           |            |          |             |          |
|          |                           |            |          |             |          |
|          |                           |            |          |             |          |
|          |                           |            |          |             |          |
| Drawn by | Date                      | Checked by | Date     | Approved by | Date     |
| G.W.     | 1/27/2014                 | C.E.       | 2/4/2014 | J.S.        | 2/5/2014 |

High Temp Dynamic Speaker

SM280508-3