

NOTES:

1. RAYCHEM CABLE: 10595-24-9

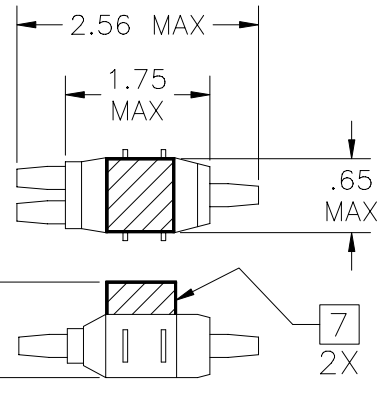
2. WEIGHT:

D-600-0170-1 .313 lbs. [142 g] APPROX.

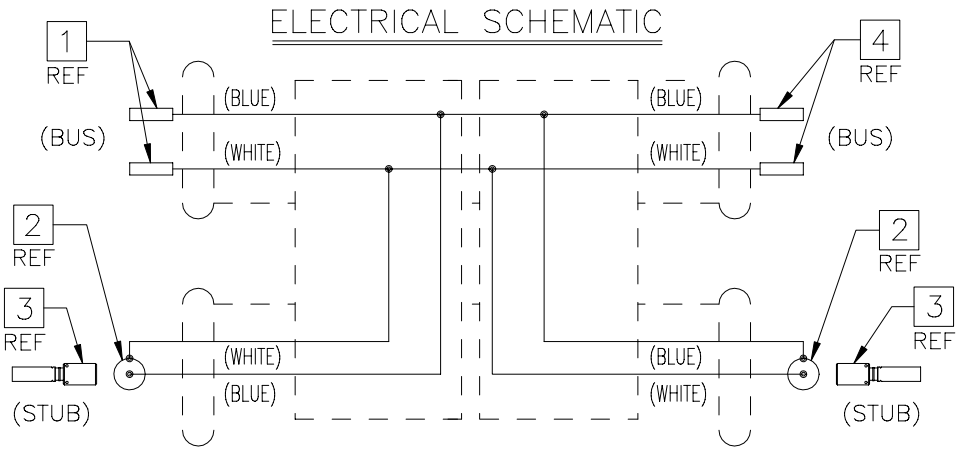
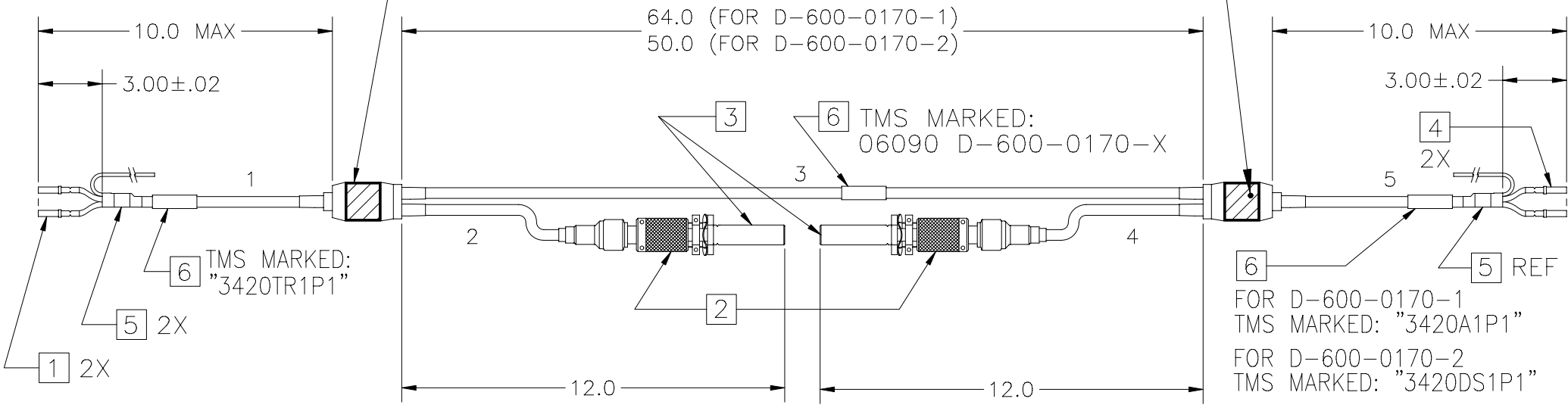
D-600-0170-2 .295 lbs. [134 g] APPROX.

REVISIONS		DATE	APPROVED
LTR	DESCRIPTION		
F	REVISED PER DCR NO. T-29138	6/6/01	GMR

**If this document is printed it becomes uncontrolled.
Check with the web for latest revision.**



PWB COUPLER WITHOUT COUPLING TRANSFORMER, 2X



COMPONENTS FOR D-600-0170-1 AND D-600-0170-2			
ITEM	QTY	COMPONENT	DESCRIPTION
1	2	M39029/57-354	CONTACT, CRIMP
2	2	DK-621-0411-P	CONNECTOR, PLUG WITH PIN CONTACT
3	2	D-621-0485	TERMINATOR JACK, 200 OHMS
4	2	M39029/57-357	CONTACT, CRIMP, SKT
5	2	S02-08-R	SHIELD TERMINATOR
6	3	TMS-SCE-3/8-2.0-4	TMS MARKER, YELLOW
7	2	-----	COUPLER MOUNTING BLOCK

SPECIFICATION CONTROL DRAWING

UNLESS OTHERWISE SPECIFIED DIMENSIONS ARE IN INCHES. METRIC DIMENSIONS ARE IN BRACKETS.	DRAWN	J.B.K.	92 MAR 30	 WIRE AND HARNESSING PRODUCTS 307 CONSTITUTION DRIVE MENLO PARK, CALIFORNIA 94025	
	CHECKED				
	APPROVED				
	APPROVED	Z.TEMAN	92 OCT 15		
ALL CABLE LENGTHS: +1.00 -0.00	CAD NAME	T29138		TITLE	
WEIGHT				BELL WEATHER RADAR BUS	
	SIZE	CODE	IDENT. NO.	DWG. NO.	REV
	A	06090	D-600-0170-1/-2	F	
DO NOT SCALE THIS DRAWING				SHEET 1 OF 1	