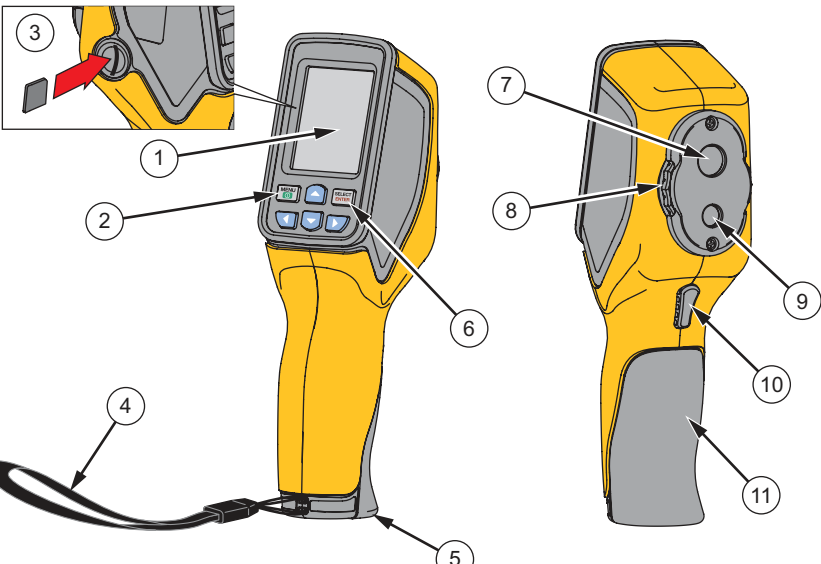


Visual IR Thermometer VT02



- ① LCD Display
- ② Power On/Off and Menu
- ③ SD Memory card slot
- ④ Lanyard
- ⑤ Tripod Mount
- ⑥ Menu Selection/Parameter Adjustment
- ⑦ Infrared Lens
- ⑧ Rotating Lens Cover
- ⑨ Visual Camera
- ⑩ Trigger for Image Capture
- ⑪ Battery Cover



Power On and Off

MENU 2 sec.

First time use:
enter date and time

DD/MM/YYYY
23/08/2012

12 hr
2:25 pm

1.0001

Image Blending

MENU → [Image Blending Icon] [Up/Down] 0% — 100%

0 % 25 % 50 % 75 % 100 %

Capture and Save

82.0 °F
ε = 0.95

13

SD

SELECT ENTER

Menu Functions and Basic Navigation

Battery Charge Level

Yellow Highlight

Open Display Menu

Select/Enter

Up/Down to Change Values

MENU [Up/Down] MENU

BG 20 °C

BG 25 °C

SELECT ENTER

Icon	Description
[Image Icon] 0	Play Stored images
[Emissivity Icon] 0.95	Emissivity
[Color Palette Icon]	Color Palette
[BG Icon] 20 °C	Background Temperature
[Crosshair Icon] X	Temperature Markers
[Thermometer Icon] °C	Temperature Units
[Clock Icon] 5:12	Clock (Time and Date)

Visual Image Alignment Control

Near Mode

Near

29.3 °C

ε = 0.95

2:34pm

≤ 6 in / 15 cm

Far Mode

Far

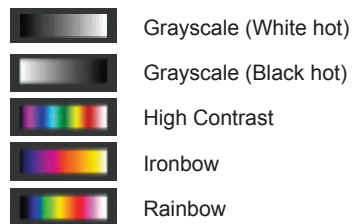
29.3 °C

ε = 0.95

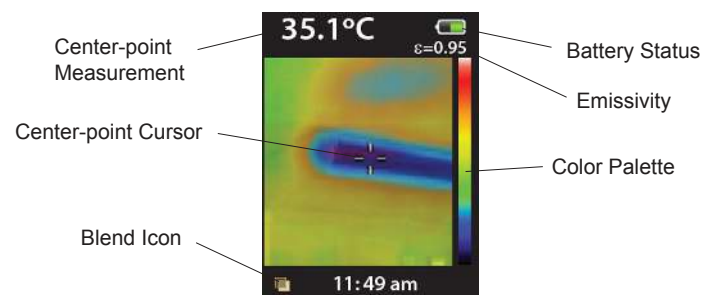
2:34pm

> 6 in / 15 cm

Color Palette



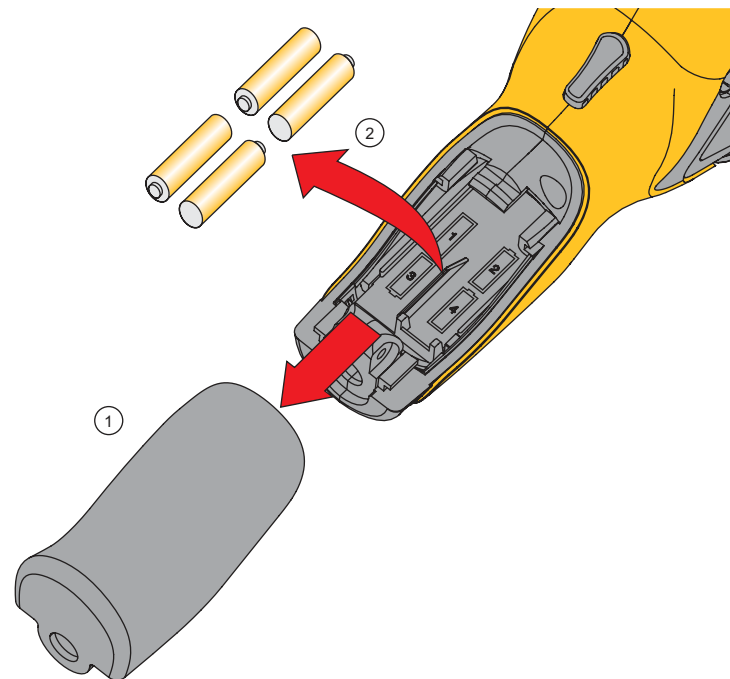
Measurement Display



SD Card



Battery Care



Safety Information

A **Warning** identifies hazardous conditions and procedures that are dangerous to the user. A **Caution** identifies conditions and procedures that can cause damage to the Product or the equipment under test.

⚠️ Warning

To prevent possible electrical shock, fire, or personal injury:

- Read all safety information before you use the Product.
- Carefully read all instructions.
- Use the Product only as specified, or the protection supplied by the Product can be compromised.
- Replace the batteries when the low battery indicator shows to prevent incorrect measurements.
- Do not use the Product around explosive gas, vapor, or in damp or wet environments.
- Do not use the Product if it operates incorrectly.
- Do not use and disable the Product if it is damaged.
- See emissivity information for actual temperatures. Reflective objects result in lower than actual temperature measurements. These objects pose a burn hazard.
- Remove the batteries if the Product is not used for an extended period of time, or if stored in temperatures above 50 °C. If the batteries are not removed, battery leakage can damage the Product.

⚠️ Warning

To prevent personal injury and for safe operation and maintenance of the Product:

- Batteries contain hazardous chemicals that can cause burns or explode. If exposure to chemicals occurs, clean with water and get medical aid.
- Be sure that the battery polarity is correct to prevent battery leakage.
- Do not short the battery terminals together.
- Keep cells and battery packs clean and dry. Clean dirty connectors with a dry, clean cloth.
- Do not disassemble or crush battery cells and battery packs.
- Do not put battery cells and battery packs near heat or fire. Do not put in sunlight.

The following table is a list of symbols used on the Product or in this manual.

Symbol	Description
	Important information. See manual.
	Hazardous voltage. Risk of electrical shock.
	Conforms to relevant Australian standards.
	Conforms to requirements of European Union and European Free Trade Association.
	Conforms to relevant South Korean EMC standards.
	This product complies with the WEEE Directive (2002/96/EC) marking requirements. The affixed label indicates that you must not discard this electrical/electronic product in domestic household waste. Product Category: With reference to the equipment types in the WEEE Directive Annex I, this product is classed as category 9 "Monitoring and Control Instrumentation" product. Do not dispose of this product as unsorted municipal waste. Go to Fluke's website for recycling information.

LIMITED WARRANTY AND LIMITATION OF LIABILITY

This Fluke product will be free from defects in material and workmanship for two years from the date of purchase. This warranty does not cover fuses, disposable batteries, or damage from accident, neglect, misuse, alteration, contamination, or abnormal conditions of operation or handling. Resellers are not authorized to extend any other warranty on Fluke's behalf. To obtain service during the warranty period, contact your nearest Fluke authorized service center to obtain return authorization information, then send the product to that Service Center with a description of the problem.

THIS WARRANTY IS YOUR ONLY REMEDY. NO OTHER WARRANTIES, SUCH AS FITNESS FOR A PARTICULAR PURPOSE, ARE EXPRESSED OR IMPLIED. FLUKE IS NOT LIABLE FOR ANY SPECIAL, INDIRECT, INCIDENTAL OR CONSEQUENTIAL DAMAGES OR LOSSES, ARISING FROM ANY CAUSE OR THEORY. Since some states or countries do not allow the exclusion or limitation of an implied warranty or of incidental or consequential damages, this limitation of liability may not apply to you.

Fluke Corporation
P.O. Box 9090
Everett, WA 98206-9090
U.S.A.

Fluke Europe B.V.
P.O. Box 1186
5602 BD Eindhoven
The Netherlands