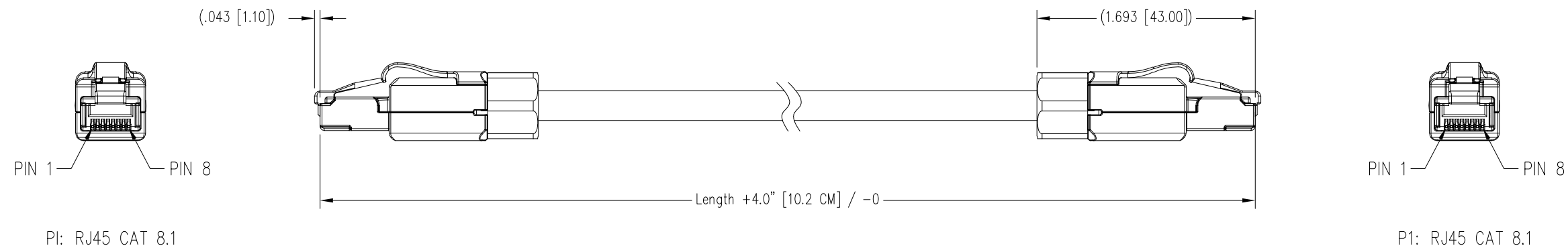


DATE	REV	ECN	APP'D. BY
07/06/20	A0	-	JE



P/N Structure

CA81-xxxU-yy

01 = FRNC/LSZH Jacket (ø5.8mm), Grey

Length Units (See Part Number Reference Table)

F = Feet
M = Meters

Length (See Part Number Reference Table)

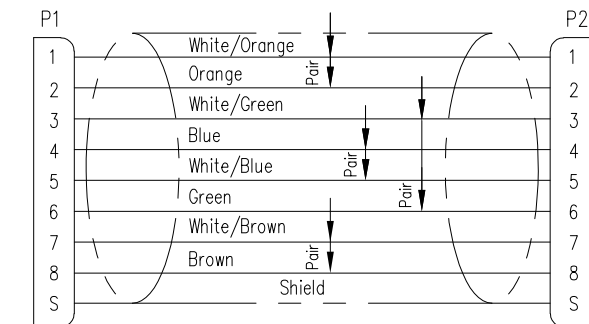
1 Foot Increments
0.1 Meter Increments

81 = RJ45 CAT 8.1 TO RJ45 CAT 8.1

Cable Assembly Family

Notes:

- Each cable assembly to be individually bagged.
- Connector Construction:
 - Plastic Housings: Thermoplastic, UL 94 V-0
 - Internal Contacts: Copper Alloy, Tin or Nickel Plating
 - Shield Housings: Zinc Diecast, Tin or Nickel Plating
 - Plug Contacts: Copper Alloy
 - Selective 50µ" Gold plating, Nickel Underplate
- Cable Construction:
 - 4 Pair Flexible, S/FTP, CAT 8.2, Euroclass Dca
 - Stranded bare copper, AWG26
 - PE Primary Wire Insulation
 - Aluminum PETP Foil around each twisted pair
 - Tinned Braided Copper overall screen
 - Jacket Material: See Part Number
- 100% Transmission Tested for CAT 8.1 Channel Performance



Wiring Map

Part Number Reference Table	
LENGTH	Part Number
10 FT	CA81-010F-01
2 M	CA81-020M-01



THIRD ANGLE PROJECTION 	 a bel group	11118 Susquehanna Trail South Glen Rock, PA 17327-9199 (717) 235-7512 http://www.stewartconnector.com
DO NOT SCALE DRAWING DRAWING IS SUBJECT TO CHANGE WITHOUT NOTICE	TITLE: RJ45 CAT 8.1 TO CAT 8.1 PATCH CORD ASSEMBLY	
DIMENSIONS: INCHES [METRIC]	THIS DRAWING AND THE SUBJECT MATTER SHOWN THEREON ARE CONFIDENTIAL AND THE PROPRIETARY PROPERTY OF STEWART CONNECTOR AND SHALL NOT BE REPRODUCED, COPIED, OR USED IN ANY MANNER WITHOUT PRIOR WRITTEN CONSENT OF STEWART CONNECTOR. ONE OR MORE U.S. PATENTS MAY APPLY TO THIS PRODUCT. FOR DETAILS, PLEASE VISIT: HTTP://BELFUSE.COM/STEWART/STEWART_PATENTS/	DRN BY: ADB DATE 05/11/20
UNLESS OTHERWISE SPECIFIED TOLERANCES ARE ±.005 [0.13] ANGLES ARE ± 1°		APPD BY: JE DATE 07/06/20
SHEET NO. 1 OF 1		DWG NO. CTCA81-001 REV. A0