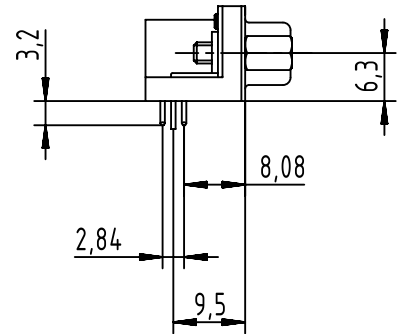
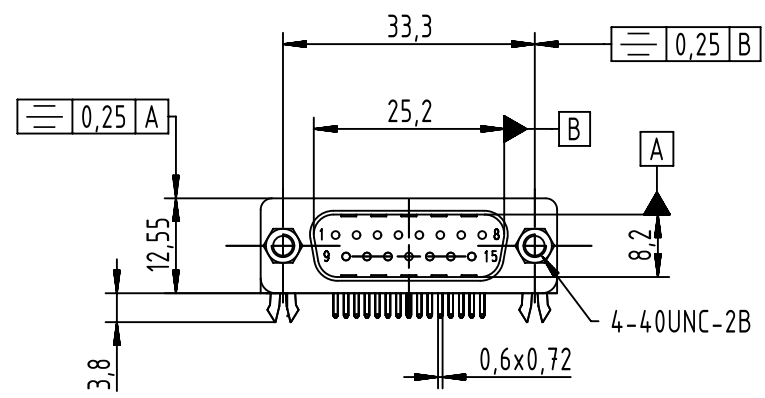
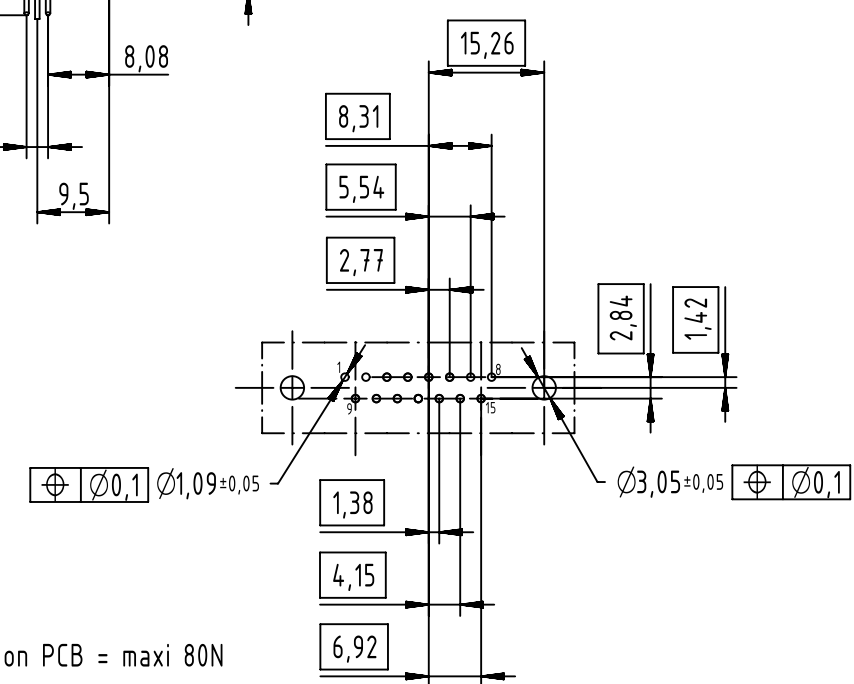
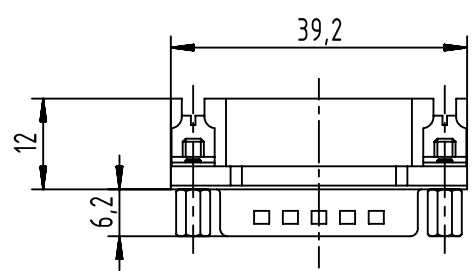


1 2 3 4 5 6

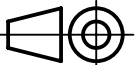

A
B
C
D



PC-Board layout
view component side
thickness 1,6mm



Connector insertion force on PCB = maxi 80N

| | | | | | | | |
|--|-------------------|--|--|---------------------------|-----------------------------|--------------------|--|
|  All Dimensions in mm Original Size DIN A4 | | Scale 1:1 | Free size tol. | | | Ref. | |
| 09682635813 | S4 |  All rights reserved Department EC PD - FR | Created by DOUGE | Inspected by BAGDIKIAN | Standardisation HOFFMANN | Date 2013-12-10 | State Final Release |
| 09682637813 | PL3 | | Title D-Sub STD 15P male angled board locks | | | | Doc-Key / ECM-Nr. 100539978/UGD/001/B 500000069293 |
| Part number | Performance level | | HARTING Electronics GmbH D-32339 Espelkamp | Type TB | Number 0968263X813 | | Rev. B |