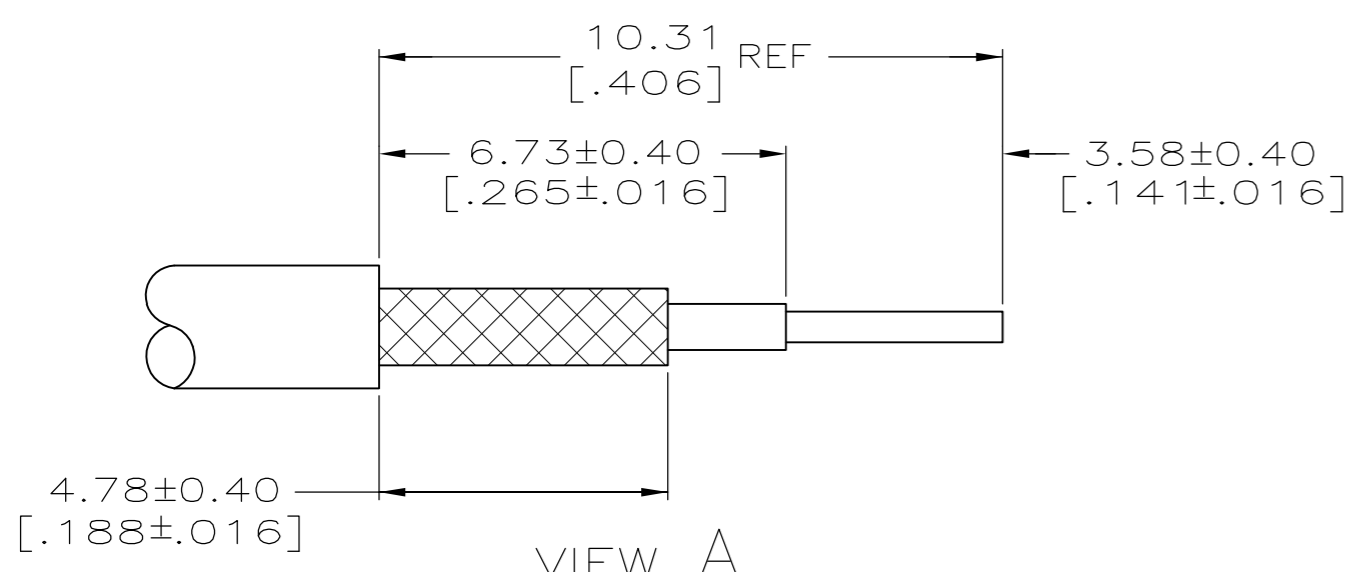
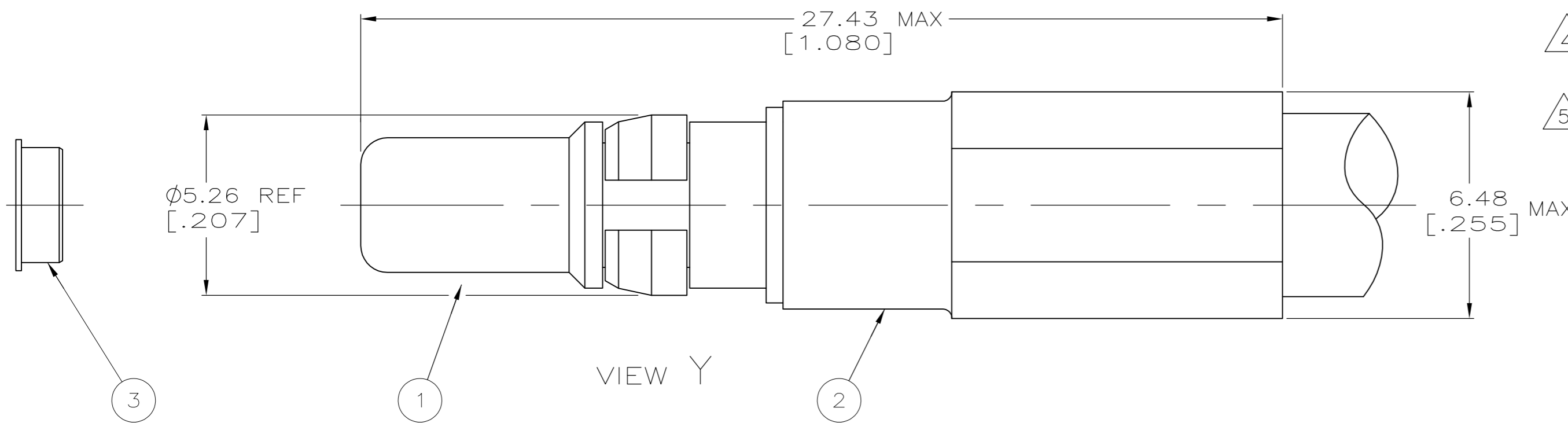
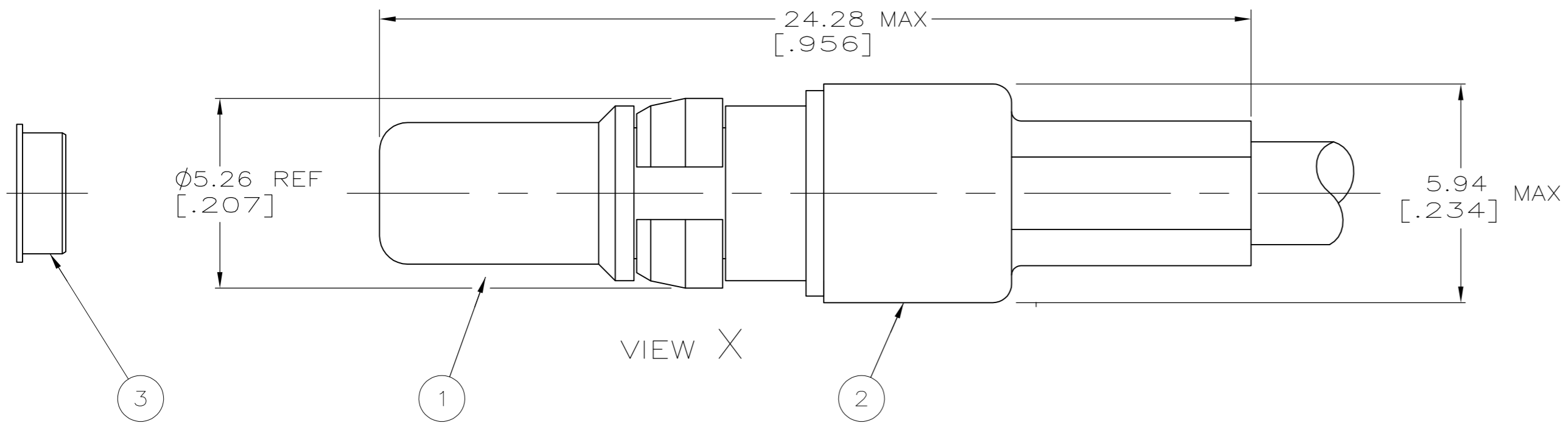


THIS DRAWING IS UNPUBLISHED. RELEASED FOR PUBLICATION
 © COPYRIGHT BY TYCO ELECTRONICS CORPORATION. ALL RIGHTS RESERVED.

LOC	DIST	REVISIONS			
P	LTR	DESCRIPTION	DATE	DWN	APVD
AJ	16	A	REV PER EC 0S14-0028-05	17DEC05	BC KW
		A1	REVISED PER ECO-09-024606	29OCT09	KK AEG



- △1 FOR USE WITH: RG-142/U, 142A/U, 142B/U, 58A/U, & 400/U, BELDEN 9248
- 2. USE HAND TOOL: 69710-2
PNEUMATIC TOOL: 69365-8
EXTRACTION TOOL: 58095-1
- 3. ITEM #3 IS USED TO STABILIZE THE CRIMPED CONNECTOR IN THE HOUSING CAVITY, OTHERWISE DISCARD
- △4 FOR USE WITH: RD-316/U, 174/U, & 188/U DOUBLE BRAIDED CABLE
- △5 OBSOLETE PARTS: OBSOLETE CIS STREAMLINING PER D.RENAUD/D.SINISI

	59993-1	△4	228616-1	9-221205-0	9-222049-0	X,A	5221980-5
△5 OBSOLETE	59993-1	RG-179/U, 179A/U & 179B/U	228616-1	9-228603-0	9-222049-1	X,A	5221980-3
OBSOLETE	58212-1	△1	228616-1	9-225381-0	222059-1	Y,A	5221980-2
	59993-1	RG-174/U, 188/U & 316/U	228616-1	9-228603-0	9-222049-0	X,A	5221980-1
	DIE SET	USE WITH CABLE	△3 ALIGNMENT RING QTY=1	△2 FERRULE QTY=1	△1 PIN ASSY QTY=1	VIEW	PART NUMBER

THIS DRAWING IS A CONTROLLED DOCUMENT.		DWN J. HAVENER 24JAN2005	Tyco Electronics Corporation Harrisburg, PA 17105-3608	
DIMENSIONS: INCHES		CHK J. HAVENER 26JAN2005		
TOLERANCES UNLESS OTHERWISE SPECIFIED:		APVD G. MICHAEL 26JAN2005	NAME	
0 PLC ± -	1 PLC ± -	PRODUCT SPEC	PIN, STRAIGHT, 50 OHM, SIZE 8	
2 PLC ± -	3 PLC ± -	APPLICATION SPEC	SIZE	CAGE CODE
4 PLC ± -	ANGLES ± -	WEIGHT	A2	00779
MATERIAL	FINISH	CUSTOMER DRAWING	DRAWING NO	RESTRICTED TO
-	-	SCALE 8:1	5221980	-
			SHEET 1 of 1	REV A1

5221980