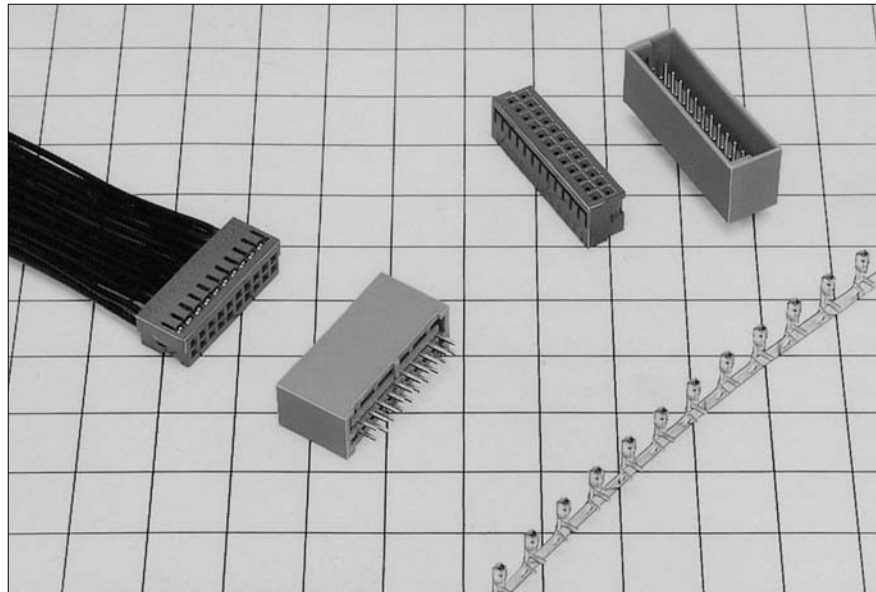


GT8 Series

— High-Pressure Connectors —

<GT8, GT8A, GT8Z and GT8E>



Features

<GT8, GT8A, GT8Z>

Crimp Terminals

- Use of an air-tight dimple construction at the contact portion serves to prevent oxidation of the contact portion.
- F Connector Housing
- Terminal number markings appear in a large size in consideration of insertion processing.
- Form designed to prevent erroneous insertion.

M Connectors

- Designed with escape holes for washing liquid to escape so that secondary soiling may be prevented when the board has been washed.
- The surrounding wall of the terminal has been constructed higher than the terminal so as to prevent terminal bending.

The others

- The F connector housing fits entirely inside of the M connector to prevent incomplete insertion and prevents twisting and other problems. The F connector is guarded so that there is no slanting nor contact movement, and the connector is resistant to vibration.
- The color of the F connector housing and the M connector have been changed to prevent incomplete insertion.

M Connectors (SMT Product)

- Instead of using screws for board fastening, a lead reflow type of reinforced fitting is used that permits soldering at the time of reflow.

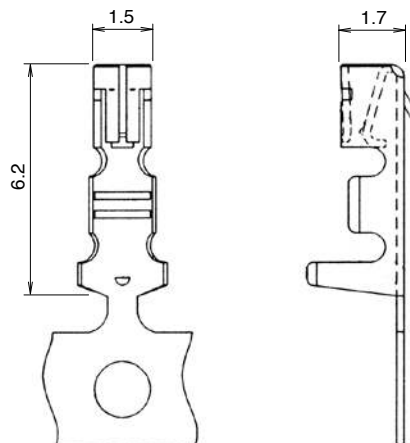
Applications

Internal connections of mobile units and industrial equipments.

GT 5
GT 13
GT 16
PO5G
GT 11
GT 17
GT 19
GT 26
GT 27
GT 3
GT 6W
Connections of the Various Units and Device Interiors
GT 7
GT 10
GT 18W
GT 15
GT 8
GT 9
GT 25
GT 22

F Connectors

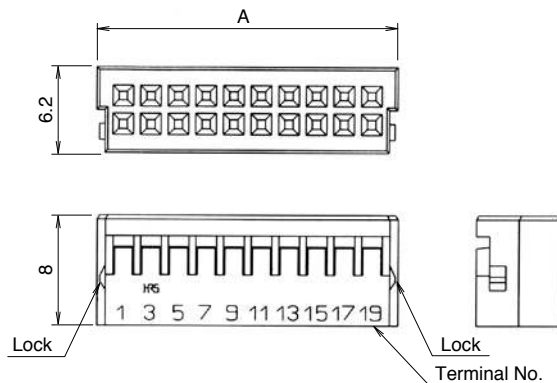
● Terminals



Part Number	HRS No.	Material	Finish	Packaging	RoHS	Applicable housing
GT8-2428SCF(70)	758-0001-8-70	Phosphor bronze	Tin plating	10,000 pcs/reel	YES	GT8-*DS-2C, GT8A-*DS-2C, GT8Z-*DS-2C
GT8-2022SCF	758-0026-9	Phosphor bronze	Tin plating	10,000 pcs/reel		
GT8E-2022SCF	758-0033-4	Phosphor bronze	Tin plating	10,000 pcs/reel		GT8E-*S-2C, GT8E-*DS-2C, GT8E-*S-HU, GT8E-*DS-HU
GT8E-2428SCF	758-0055-7	Phosphor bronze	Tin plating	10,000 pcs/reel		

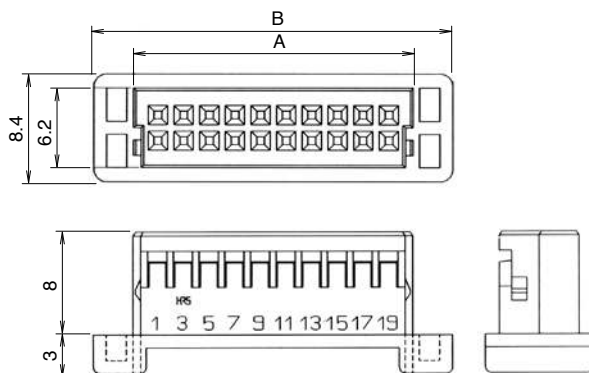
Note : GT8-2428SC(70) loose terminals for hand tools are also available. There are 100 pieces per package.

● Housing (Without Flange)



Part Number	HRS No.	Material	Color	Number of positions	A dimension	Specifications	Packaging	RoHS
GT8-14DS-2C	758-0018-0	PBT	Dark Gray	14	15.8	Without lock	1piece	YES
GT8-20DS-2C	758-0003-3			20	21.8		1piece	
GT8-24DS-2C	758-0005-9			24	25.8		1piece	
GT8A-20DS-2C	758-0011-1			20	21.8		1piece	
GT8A-24DS-2C	758-0012-4			24	25.8		1piece	

● Housing (With Flange)



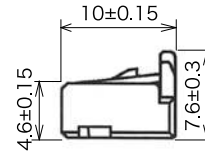
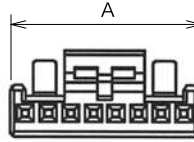
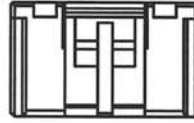
Part Number	HRS No.	Material	Color	Number of positions	A dimension	B dimension	Packaging	RoHS
GT8Z-14DS-2C	758-0009-0	PBT	Dark Gray	14	15.8	22	1piece	YES
GT8Z-20DS-2C	758-0007-4			20	21.8	28	1piece	
GT8Z-24DS-2C	758-0008-7			24	25.8	32	1piece	

Note : This product mates with GT8- or GT8A-*DP-2DSA(70).

GT8E Series

F Connectors

● **Single low Housing**



Plug	Applicable	Applicable conductor
GT8E *S-2C	AWG #20-22	GT8E-2022SCF
	AWG #24-28	GT8B-2428SCF

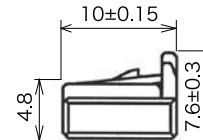
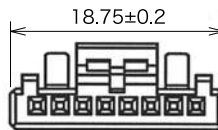
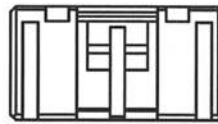
Part Number	HRS No.	Material	Color	Number of positions	A dimension±0.15	Packaging	RoHS
GT8E-2S-2C	758-0030-6	PBT	Black	2	7.1	1piece	YES
GT8E-8S-2C	758-0029-7			8	16.6	1piece	

Note 1: Applicable terminal is GT8E-2022PCF.

Note 2: Use this in combination with GT8EW-4P-R, GT8EW-4P/S-BR, GT8EW-4P/S-BHS.

Note 3: Applicable housing is GT8E-W-4S-HU.

● **Single low Housing**



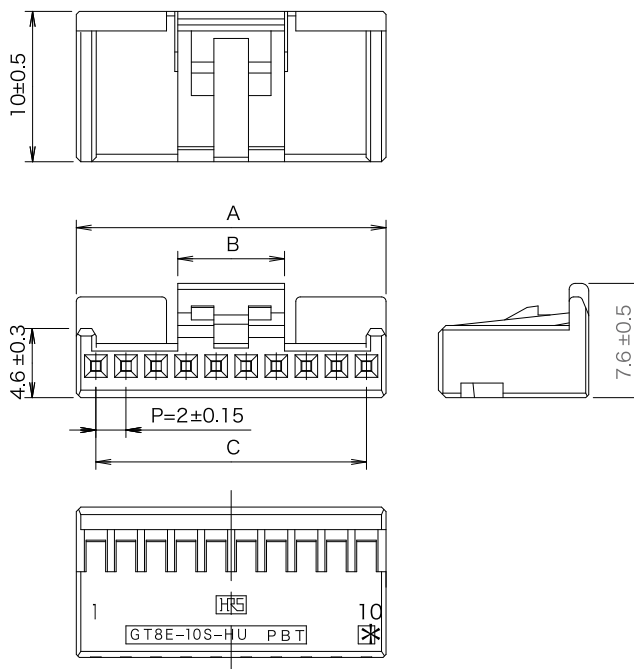
Plug	Applicable	Applicable conductor
GT8E-8DS-2C	AWG #20-22	GT8E-2022SCF
	AWG #24-28	GT8B-2428SCF

Part Number	HRS No.	Material	Color	Number of positions	Packaging	RoHS
GT8E-8DS-2C	758-0027-1	PBT	Black	8	1piece	YES

Note 1: Applicable terminal is GT8E-2022SCF, GT8B-2428SCF(70).

Note 2: Applicable housing is GT8E-*S-HU.

● Housing (3 to 10 pos./single row)



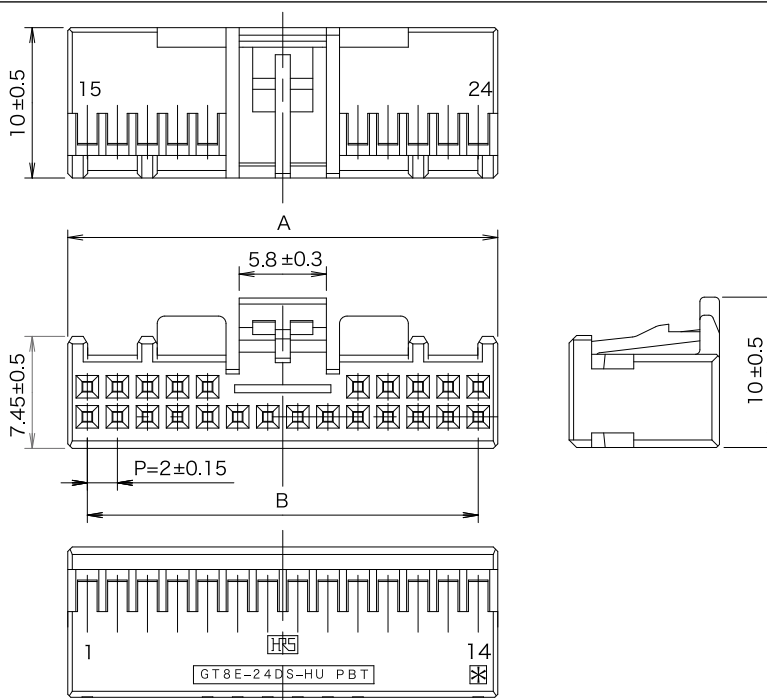
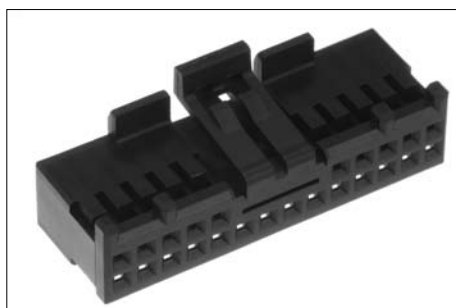
Plug	Applicable	Applicable conductor
GT8E-*S-HU	AWG #20-22	GT8E-2022SCF
GT8E-*S-HU	AWG #24-28	GT8B-2428SCF

Part Number	HRS No.	Material	Color	Number of positions	A dimension	B dimension	C dimension	Packaging	RoHS
GT8E-3S-HU	758-0061-0	PBT	Black	3	7.9 ±0.5	7.9 ±0.5	4 ±0.15	1piece	YES
GT8E-4S-HU	758-0047-9	PBT	Black	4	8.6 ±0.5	8.6 ±0.5	6 ±0.15	1piece	
GT8E-5S-HU	758-0062-2	PBT	Black	5	12 ±0.5	7.1 ±0.5	8 ±0.15	1piece	
GT8E-6S-HU	758-0048-1	PBT	Black	6	12.6 ±0.5	7.1 ±0.5	10 ±0.15	1piece	
GT8E-7S-HU	758-0063-5	PBT	Black	7	15.6 ±0.5	7.1 ±0.5	12 ±0.15	1piece	
GT8E-8S-HU	758-0049-4	PBT	Black	8	16.6 ±0.5	7.1 ±0.5	14 ±0.15	1piece	
GT8E-10S-HU	758-0050-3	PBT	Black	10	20.6 ±0.7	7.1 ±0.5	18 ±0.15	1piece	

Note 1: Applicable terminal is GT8E-2022SCF, GT8B-2428SCF.

Note 2: This product mates with GT8E-*P-DS.

● Housing (Double row)



Plug	Applicable	Applicable conductor
GT8E-*DS-HU	AWG #20-22	GT8E-2022SCF
GT8E-*DS-HU	AWG #24-28	GT8B-2428SCF

Part Number	HRS No.	Material	Color	Number of positions	A dimension	B dimension	Packaging	RoHS
GT8E-12DS-HU	CL758-0051-6	PBT	Black	12	16.6 ±0.5	14 ±0.15	1piece	YES
GT8E-16DS-HU	CL758-0064-8	PBT	Black	16	21.85 ±0.7	18 ±0.15	1piece	
GT8E-20DS-HU	CL758-0052-9	PBT	Black	20	24.6 ±0.7	22 ±0.15	1piece	
GT8E-24DS-HU	CL758-0054-4	PBT	Black	24	28.6 ±0.7	26 ±0.15	1piece	

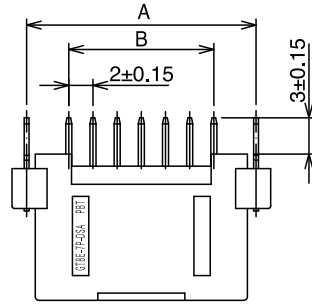
Note 1: Applicable terminal is GT8E-2022SCF, GT8B-2428SCF.

Note 2: This product mates with GT8E-*DP-DS.

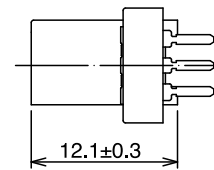
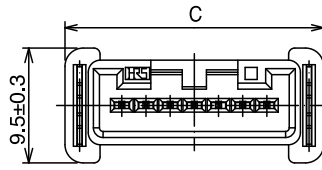
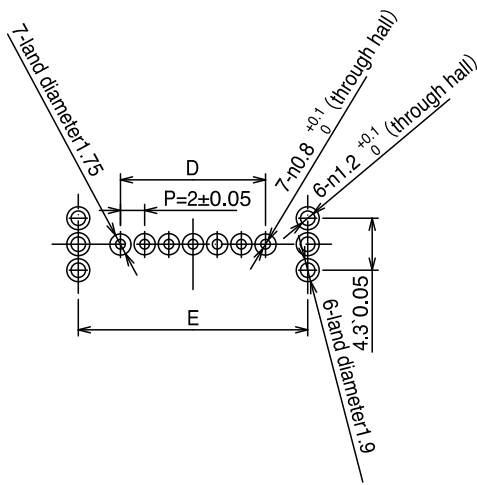
- GT 5
- GT 13
- GT 16
- PO5G
- GT 11
- GT 17
- GT 19
- GT 26
- GT 27
- GT 3
- GT 6W
- Connections of the Various Units and Device Interiors
- GT 7
- GT 10
- GT 18W
- GT 15
- GT 8
- GT 9
- GT 25
- GT 22

M connector

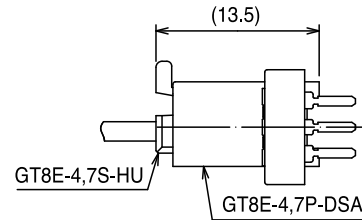
● Board type(Vertical Dip type)



◆ Recommended Board Mounting Pattern



◆ Fully Mated connector assemblies



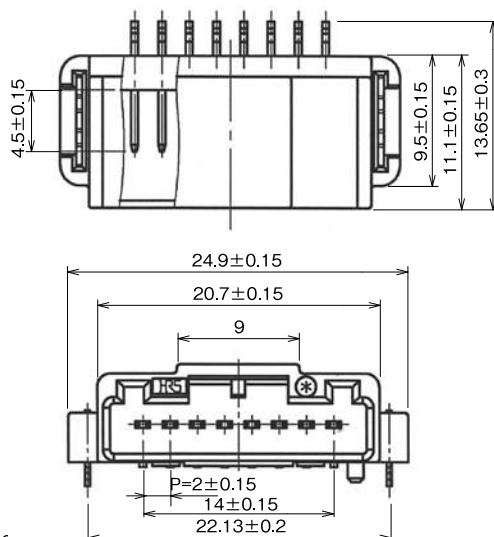
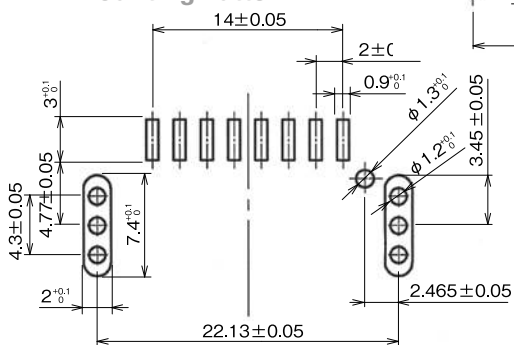
Part Number	HRS No.	Number of positions	A dimension	B dimension	C dimension	D dimension	E dimension	Packaging
GT8E-4P-DSA	758-0065-0	4	11.98±0.2	6±0.15	14.4±0.3	6±0.5	11.98±0.15	1piece
GT8E-7P-DSA	758-0066-3	7	18.98±0.2	12±0.15	21.4±0.3	12±0.5	18.98±0.15	1piece

- GT 5
- GT 13
- GT 16
- PO5G
- GT 11
- GT 17
- GT 19
- GT 26
- GT 27
- GT 3
- GT 6W
- GT 7
- GT 10
- GT 18W
- GT 15
- GT 8
- GT 9
- GT 25
- GT 22

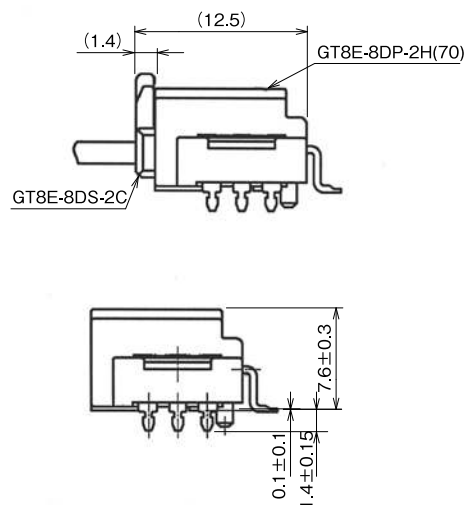
● Board type(S.M.T. 8pos)



◆ Recommended Board Mounting Pattern



◆ Fully Mated connector assemblies



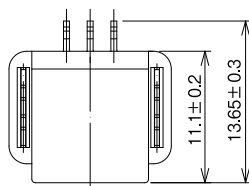
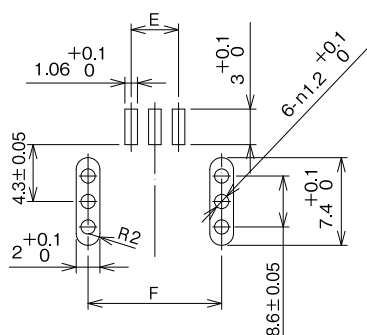
Part Number	HRS No.	Material	Color/Finish	Packaging
GT8E-8DP-2H(70)	758-0028-4-70	PPS(Housing)	Black	400pcs/reel
		Brass(Contact)	Tin plated	
		Brass(Reinforced fitting)	Tin plated	

Note 1: Applicable housing is GT8E-8DS-2C.

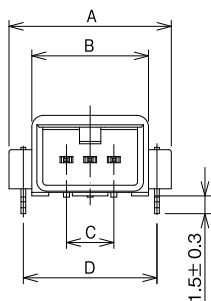
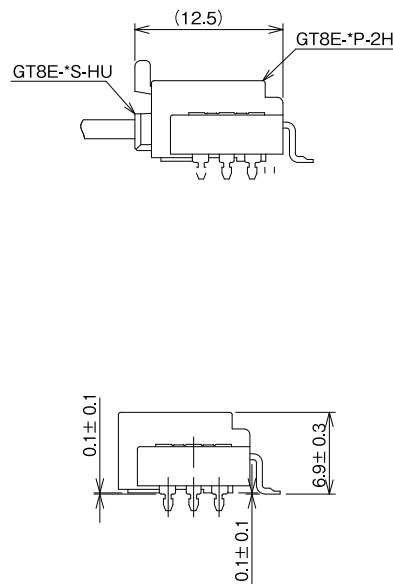
● Board type(Small-size S.M.T.)



◆ Recommended Board Mounting Pattern



◆ Fully Mated connector assemblies



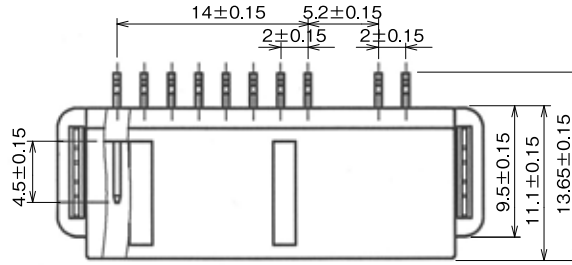
Part Number	HRS No.	Number of positions	A dimension	B dimension	C dimension	D dimension	E dimension	F dimension	Packaging	RoHS
GT8E-2P-2H(70)	758-0032-1-70	2	13±0.15	9.15±0.15	2	10.58	2	10.58	500pcs/reel	
GT8E-3P-2H	758-0096-4	3	13.7±0.3	9.85±0.3	4	11.28	4	11.28	400pcs/reel	YES
GT8E-4P-2H	758-0079-5	4	14.4±0.3	10.55±0.3	6	11.98	6	11.98	400pcs/reel	

Note 1: Applicable housing is GT8E-*S-HU.

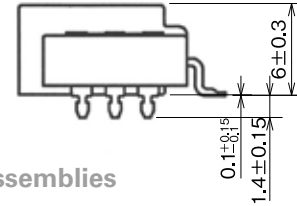
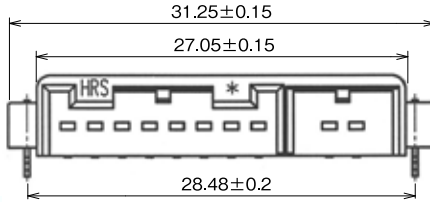
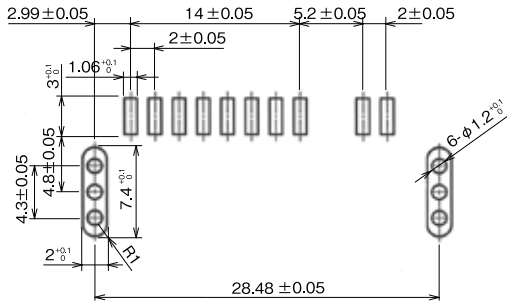
Material	Color/Finish
PBT(Housing)	Black
Brass(Contact)	Tin plated
Brass(Metal fitting)	Tin plated

GT 5
GT 13
GT 16
PO5G
GT 11
GT 17
GT 19
GT 26
GT 27
GT 3
GT 6W
Connections of the Various Units and Device Interiors
GT 7
GT 10
GT 18W
GT 15
GT 8
GT 9
GT 25
GT 22

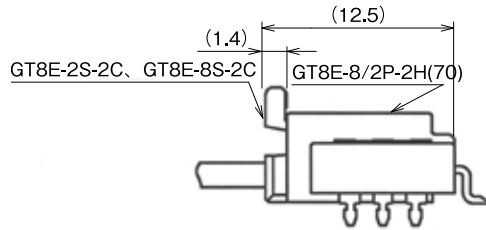
● Board type(Small-size 8/2pos)



◆ Recommended Board Mounting Pattern



◆ Fully Mated connector assemblies



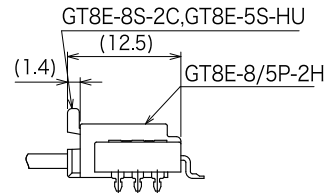
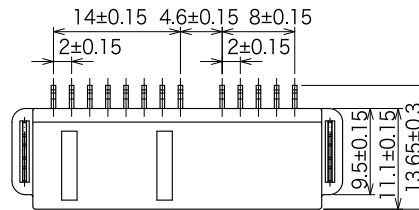
Part Number	HRS No.	Material	Finish	Packaging	RoHS
GT8E-8/2P-2H(70)	758-0031-9-70	PPS(Housing)	Black	500pcs/reel	YES
		Brass(Contact)	Tin plated		
		Brass(Metal fitting)	Tin plated		

Note 1: Applicable housing is GT8E-8S-2C.

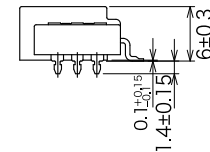
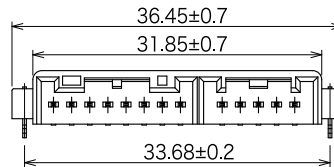
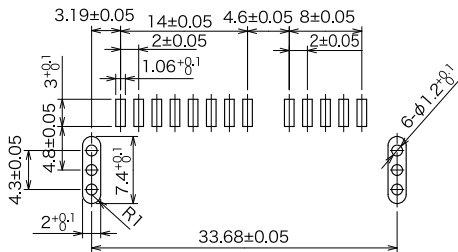
● Board type(8/5pos)



◆ Fully Mated connector assemblies



◆ Recommended Board Mounting Pattern



Part Number	HRS No.	Material	Finish	Packaging
GT8E-8/5P-2H	758-0073-9	PPS(Housing)	Black	500pcs/reel
		Brass(Contact)	Tin plated	
		Brass(Metal fitting)	Tin plated	

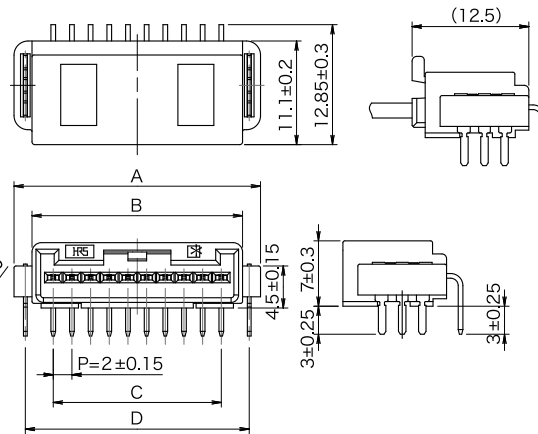
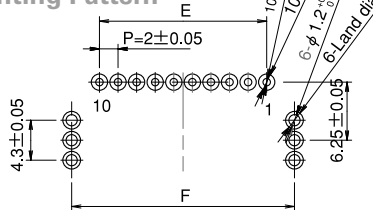
Note 1: Applicable housing is GT8E-5S-HU, GT8E-8S-2C.

● Board type(Single row DIP type)

◆ Fully Mated connector assemblies



◆ Recommended PCB Mounting Pattern



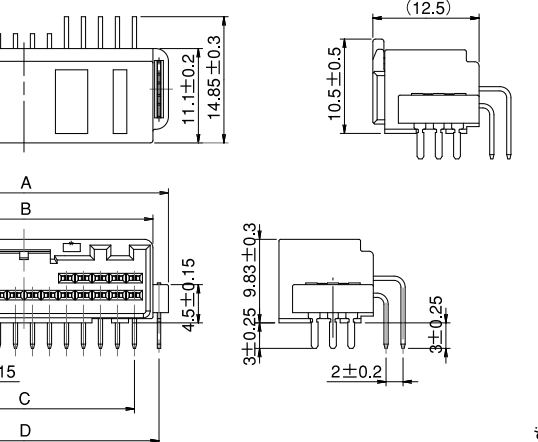
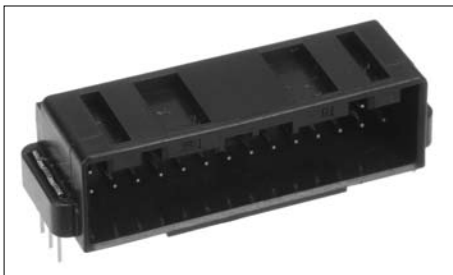
Material	Finish
PBT(Housing)	Black
Brass(Contact)	Tin plated
Brass(Metal fitting)	Tin plated

Part Number	HRS No.	Number of portions	A dimension	B dimensions	C dimension	D dimension	E dimension	F dimension	Packaging	RoHS
GT8E-2P-DS	758-0040-0	2	13±0.5	9.15±0.5	2±0.5	10.58±0.5	2±0.5	10.58±0.5	1 piece	YES
GT8E-3P-DS	758-0057-2	3	13.7±0.5	9.85±0.5	4±0.5	11.28±0.5	4±0.5	11.28±0.5	1 piece	
GT8E-4P-DS	758-0041-2	4	14.4±0.5	10.55±0.5	6±0.5	11.98±0.5	6±0.5	11.98±0.5	1 piece	
GT8E-5P-DS	758-0058-5	5	17.8±0.5	13.95±0.5	8±0.5	15.38±0.5	8±0.5	15.38±0.5	1 piece	
GT8E-6P-DS	758-0042-5	6	18.4±0.5	14.55±0.5	10±0.5	15.98±0.5	10±0.5	15.98±0.5	1 piece	
GT8E-7P-DS	758-0059-8	7	21.4±0.5	17.55±0.5	12±0.5	18.98±0.5	12±0.5	18.98±0.5	1 piece	
GT8E-8P-DS	758-0043-8	8	22.4±0.5	18.55±0.5	14±0.5	19.98±0.5	14±0.5	19.98±0.5	1 piece	
GT8E-10P-DS	758-0044-0	10	26.4±0.5	22.55±0.5	18±0.5	23.98±0.5	18±0.5	23.98±0.5	1 piece	

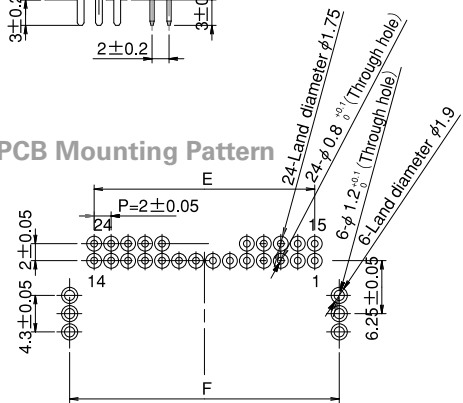
Note1 : Applicable housing is GT8E-*S-HU
 Note2 : GT8E-2P-DS mates with GT8E-2S-2C.

● Board type(Double row DIP type)

◆ Fully Mated connector assemblies



◆ Recommended PCB Mounting Pattern



Material	Finish
PBT(Housing)	Black
Brass(Contact)	Tin plated
Brass(Metal fitting)	Tin plated

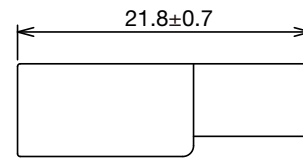
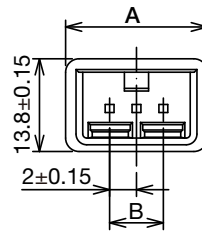
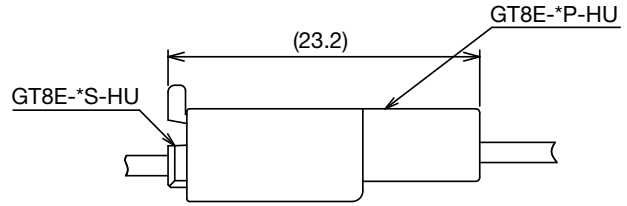
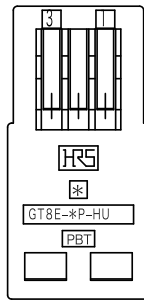
Part Number	HRS No.	Number of portions	A dimension	B dimensions	C dimension	D dimension	E dimension	F dimension	Packaging	RoHS
GT8E-12DP-DS	758-0045-3	12	22.4±0.3	18.55±0.3	14±0.15	19.98±0.2	14±0.05	19.98±0.05	1 piece	YES
GT8E-16DP-DS	758-0060-7	16	27.25±0.3	23.6±0.3	18±0.15	25.03±0.2	18±0.05	25.08±0.05	1 piece	
GT8E-20DP-DS	758-0046-6	20	30±0.3	26.35±0.3	22±0.15	27.78±0.2	22±0.05	27.78±0.05	1 piece	
GT8E-24DP-DS	758-0053-1	24	34±0.3	30.35±0.3	26±0.15	31.78±0.2	26±0.05	15.38±0.05	1 piece	

Note : Applicable housing is GT8E-*DS-HU

GT 5
GT 13
GT 16
PO5G
GT 11
GT 17
GT 19
GT 26
GT 27
GT 3
GT 6W
Connections of the Various Units and Device Interiors
GT 7
GT 10
GT 18W
GT 15
GT 8
GT 9
GT 25
GT 22

In-Line Type

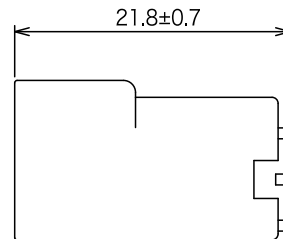
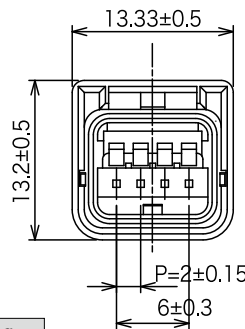
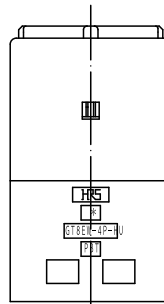
Fully Mated connector assemblies



Part Number	HRS No.	Material	Color	Number of positions	A dimension	B dimension	Packaging	RoHS
GT8E-3P-HU	758-0084-5	PBT	BLACK	3	10.55±0.5	4	1piece	YES
GT8E-4P-HU	758-0082-0			4	10.55±0.5	6	1piece	
GT8E-8P-HU	758-0038-8			8	18.55±0.7	14	1piece	

Note1 : Applicable terminal is GT8E-2022PCF, GT8E-2428PCF
 Note2 : Mate with GT8E-*S-HU(8pos:GT8E-8S-2C)

Connections of the Various Units and Device Interiors

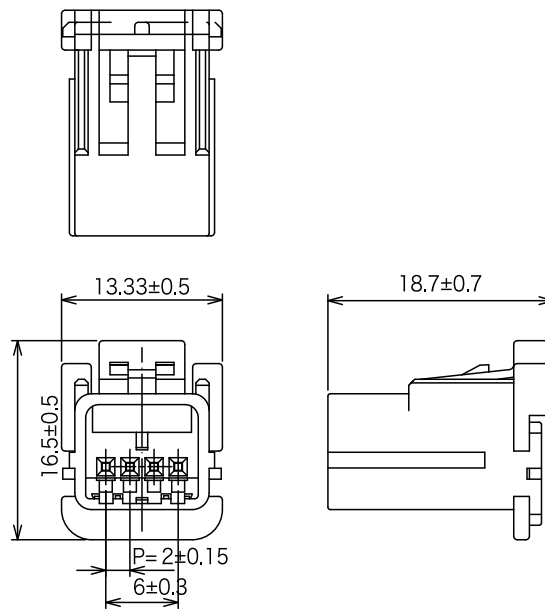


Plug	Applicable	Applicable conductor
GT8EW-4P-HU	AWG #20-22	GT8E-2022PCF

Part Number	HRS No	Number of positions	Packaging
GT8EW-4P-HU	7758-0059-1	4	1piece

Note 1: Applicable terminal is GT8E-2022PCF.
 Note 2: Use this in combination with GT8EW-4P-R, GT8EW-4P/S-BR, GT8EW-4P/S-BHS.
 Note 3: Applicable housing is GT8E-W-4S-HU.

● In-line socket (water proof)



Plug	Applicable	Applicable conductor
GT8EW-4S-HU	AWG #20-22	GT8-2022SCF

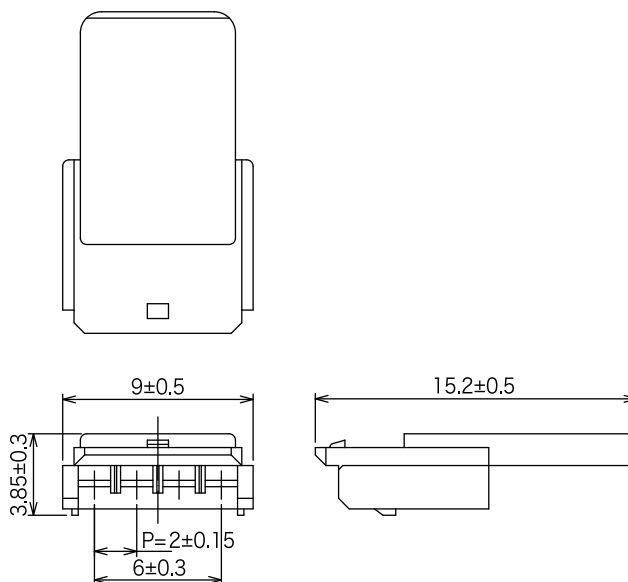
Part Number	HRS No	Number of positions	Packaging
GT8EW-4S-HU	758-0068-9	4	1piece

Note 1: Applicable terminal is GT8E-2022SCF

Note 2: Use this in combination with GT8EW-4P-R, GT8EW-4P/S-BR, GT8EW-4P/S-BHS.

Note 3: Applicable housing is GT8E-W-4P-HU.

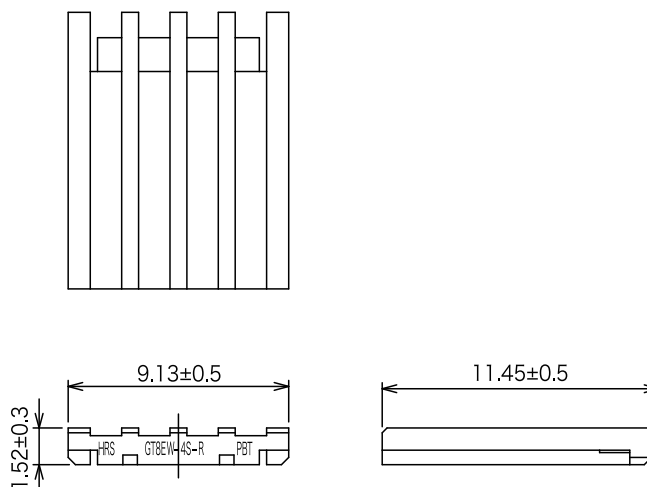
● Retainer (Only for GT8EW-4P-HU)



Part Number	HRS No	Packaging
GT8EW-4P-R	758-0077-0	1piece

Note : Use this in combination with GT8EW-4P-HU.

● Retainer (Only for GT8EW-4S-HU)



Part Number	HRS No	Packaging
GT8EW-4S-R	758-0076-7	1piece

Note : Use this in combination with GT8EW-4S-HU.

GT 5

GT 13

GT 16

PO5G

GT 11

GT 17

GT 19

GT 26

GT 27

GT 3

GT 6W

GT 7

GT 10

GT 18W

GT 15

GT 8

GT 9

GT 25

GT 22

GT 5

GT 13

GT 16

PO5G

GT 11

GT 17

GT 19

GT 26

GT 27

GT 3

GT 6W

GT 7

GT 10

GT 18W

GT 15

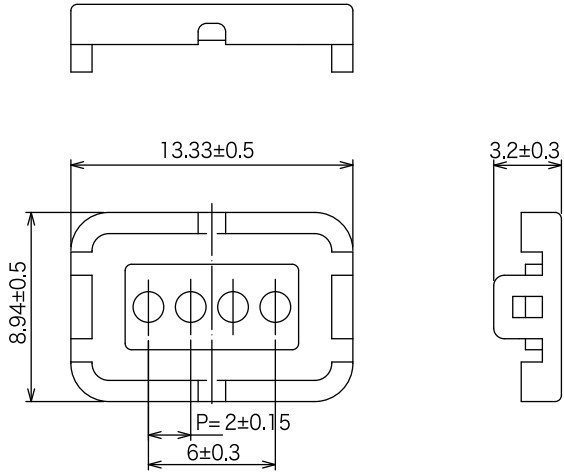
GT 8

GT 9

GT 25

GT 22

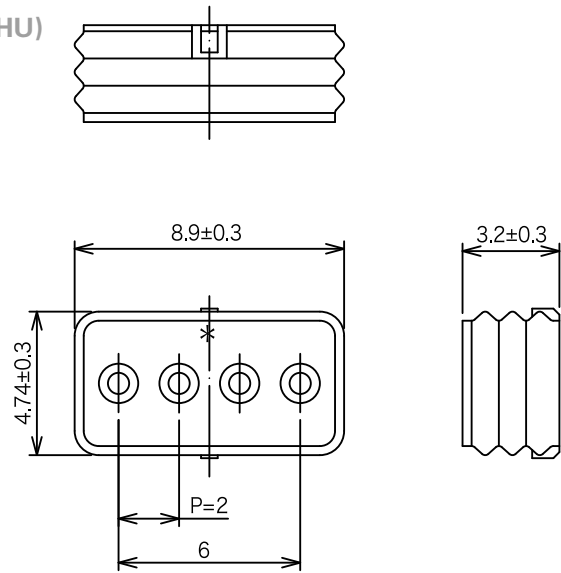
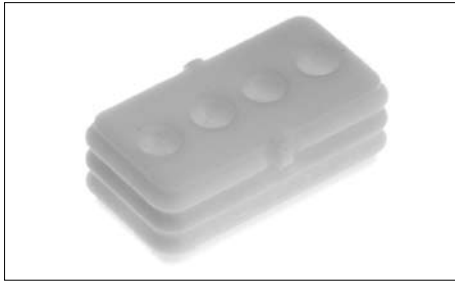
● Retainer (Used with GT8EW-4P-HU, GT8EW-4S-HU)



Part Number	HRS No	Packaging
GT8EW-4P/S-BR	758-0070-0	1piece

Note : Use this in combination with GT8EW-4P-HU, GT8EW-4S-HU.

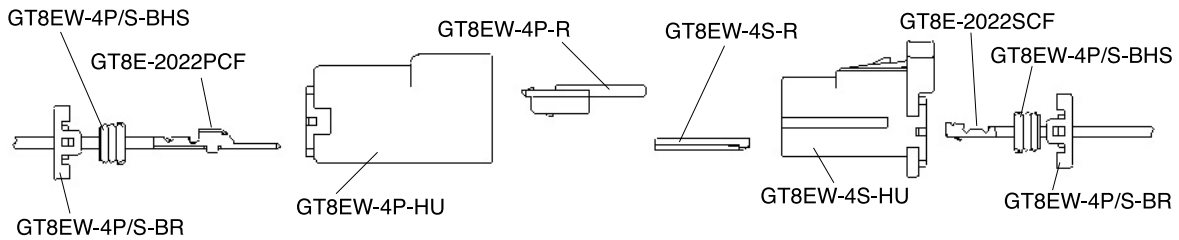
● Bushing (Used with GT8EW-4P-HU, GT8EW-4S-HU)



Part Number	HRS No	Packaging
GT8EW-4P/S-BHS	758-0071-3	1piece

Note : Use this in combination with GT8EW-4P-HU, GT8EW-4S-HU.

◆ In line waterproof connector use hand book

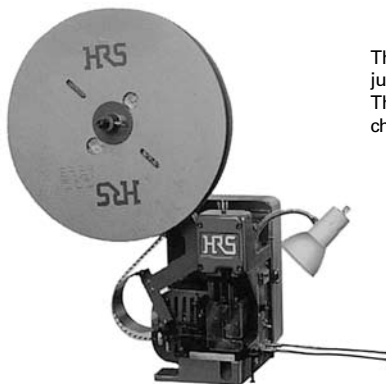


- 1 Climp the terminal and insert it into the in-line plug/socket. And mount the retainer.
- 2 Fit the parts to the in-line plug/socket in following order: Bushing and Retainer.

◆ Termination Tools

User's manuals are available. Please contact a Hirose Electric account representative.

Automatic Crimping Machine



The photograph shows just one example. The product is subject to change.

Specifications

Item	Specification	Remarks
Specification	1.5ton	
Stroke length	30mm	
Number of strokes	200 spm (50 Hz)	240 spm (60 Hz)
Wight	75 kg	
Motor	0.2kw	AC100V
Crimping speed	2,000 to 4,000 pcs. per Hour	

Part number CM-105

Applicator Product Number
AP105-GT8-2428S

● Hand Tool



Product Number	HRS No.
HT102/GT8E-2428S	780-0019-4
HT304/GT8E-2022S	780-0042-6

* Crimp height setting tables are available for each cable type. Please contact your nearest Hirose Electric account representative. Different cables will requires different crimp height settings.

GT 5

GT 13

GT 16

PO5G

GT 11

GT 17

GT 19

GT 26

GT 27

GT 3

GT 6W

GT 7

GT 10

GT 18W

GT 15

GT 8

GT 9

GT 25

GT 22