

# SEALING PLUG 28X30 RD - Closing cap



1421864

<https://www.phoenixcontact.com/us/products/1421864>

Please be informed that the data shown in this PDF document is generated from our online catalog. Please find the complete data in the user documentation. Our general terms of use for downloads are valid.

Closing cap, color: red



## Commercial data

Item number	1421864
Packing unit	1 pc
Minimum order quantity	10 pc
Sales key	BF68
Product key	BF7DZX
Catalog page	Page 707 (C-2-2019)
GTIN	4055626287645
Weight per piece (including packing)	9 g
Weight per piece (excluding packing)	9 g
Customs tariff number	39235090
Country of origin	DE

# SEALING PLUG 28X30 RD - Closing cap



1421864

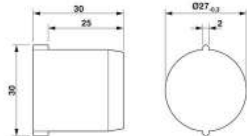
<https://www.phoenixcontact.com/us/products/1421864>

## Technical data

### Product properties

Product type	Sealing plugs
--------------	---------------

### Dimensions

Dimensional drawing	
Length	30 mm
Diameter	27 mm

### Material specifications

Material	PA
----------	----

### Cable/line

Halogen-free	yes
--------------	-----

### Environmental and real-life conditions

#### Ambient conditions

Ambient temperature (operation)	-60 °C ... 100 °C
---------------------------------	-------------------

### Mounting

Assembly instructions	The head of the sealing plug must still be visible after mounting in the screw connection (see "after mounting" photo).
-----------------------	---

# SEALING PLUG 28X30 RD - Closing cap

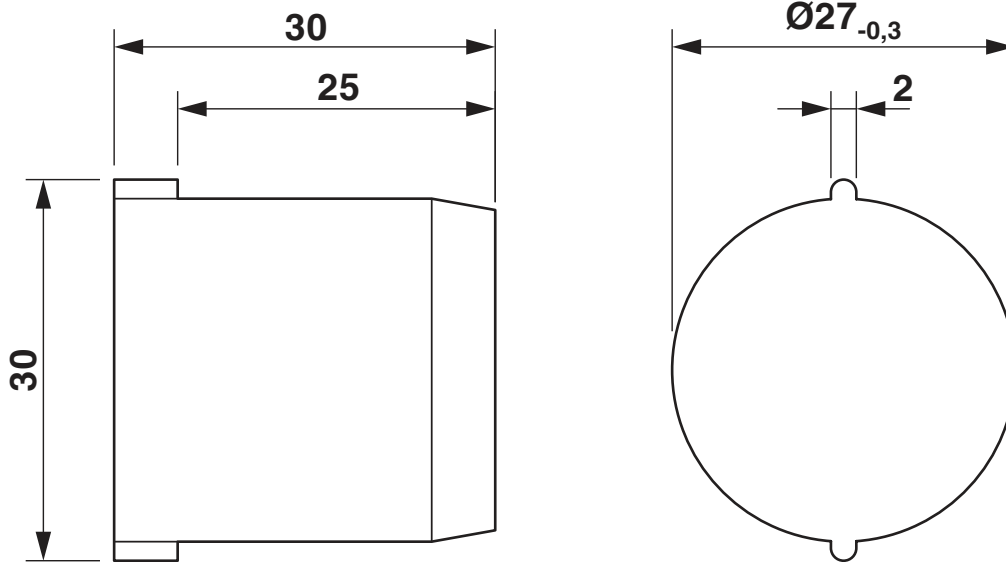


1421864

<https://www.phoenixcontact.com/us/products/1421864>

## Drawings

Dimensional drawing



Dimensional drawing

# SEALING PLUG 28X30 RD - Closing cap



1421864

<https://www.phoenixcontact.com/us/products/1421864>

## Classifications

### ECLASS

ECLASS-11.0	27144433
ECLASS-13.0	27140805

### ETIM

ETIM 8.0	EC003608
----------	----------

### UNSPSC

UNSPSC 21.0	39121300
-------------	----------

# SEALING PLUG 28X30 RD - Closing cap



1421864

<https://www.phoenixcontact.com/us/products/1421864>

## Environmental product compliance

China RoHS	Environmentally friendly use period: unlimited = EFUP-e No hazardous substances above threshold values
------------	---

Phoenix Contact 2023 © - all rights reserved  
<https://www.phoenixcontact.com>

Phoenix Contact USA  
586 Fulling Mill Road  
Middletown, PA 17057, United States  
(+717) 944-1300  
[info@phoenixcon.com](mailto:info@phoenixcon.com)