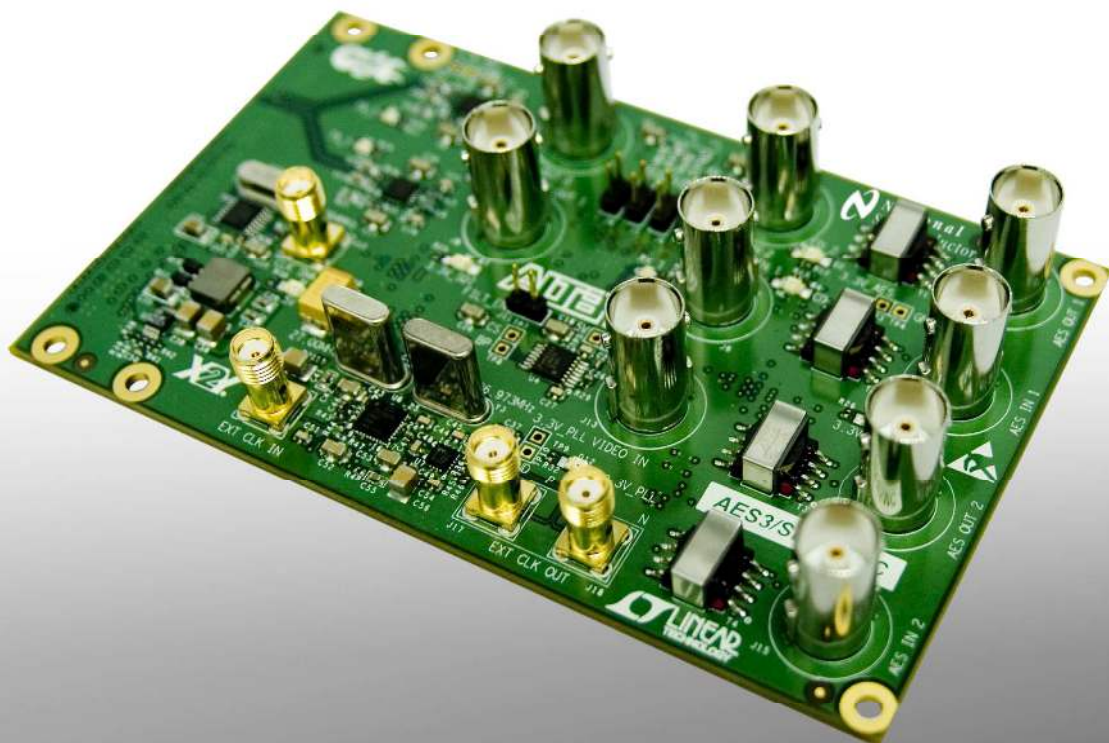


SDI HSMC

Terasic SDI HSMC Board

User Manual



| | |
|---|-----------|
| INTRODUCTION..... | 1 |
| 1.1 1.1 FEATURES..... | 1 |
| 1.2 1.2 ABOUT THE KIT | 2 |
| 1.3 1.3 ASSEMBLE THE SDI HSMC BOARD | 3 |
| 1.4 1.4 GETTING HELP | 4 |
| ARCHITECTURE..... | 5 |
| 2.1 2.1 LAYOUT AND COMPONENTS..... | 5 |
| 2.2 2.2 BLOCK DIAGRAM | 7 |
| BOARD COMPONENTS..... | 8 |
| 3.1 3.1 THE SDI HSMC CONNECTOR | 8 |
| 3.2 3.2 AUDIO/VIDEO INPUT AND OUTPUT | 16 |
| 3.3 3.3 CLOCK CIRCUITRY..... | 21 |
| 3.4 3.4 GENERAL USER INPUT/OUTPUT | 24 |
| 3.5 3.5 POWER SUPPLY..... | 25 |
| DEMONSTRATION | 26 |
| 4.1 4.1 INTRODUCTION | 26 |
| 4.2 4.2 SYSTEM REQUIREMENTS | 26 |
| 4.3 4.3 SETUP THE DEMONSTRATION | 27 |
| 4.4 4.4 DEMO OPERATION..... | 27 |
| 4.5 4.5 OVERVIEW | 28 |
| APPENDIX..... | 30 |
| 5.1 5.1 REVISION HISTORY..... | 30 |
| 5.2 5.2 ALWAYS VISIT SDI HSMC WEBPAGE FOR NEW MAIN BOARD..... | 30 |

The SDI HSMC Board is a transceiver serial digital interface HSMC board that provides a hardware platform for developing video broadcasting systems. It is intended to be used by customers to implement and design SDI and AES systems based on transceiver-based host boards with HSMC interface. Furthermore, the SDI HSMC board is designed for professional video equipment developers with SDI interface that allows FPGA design to access to industry standard video transport signals.

1.1 Features

Figure 1.1 shows the photo of the SDI HSMC board. The important features are listed below:

- SDI
 - ✓ Two SDI transmit (TX) channels with SDI cable tri-speed drivers
 - ✓ Two SDI receive (RX) channels with SDI cable equalizers
 - ✓ Two 75-Ω BNC SDI TX interfaces
 - ✓ Two 75-Ω BNC SDI RX interfaces
 - ✓ Adjustable 1.1 V to 1.8 V and Standard 3.3 V CMOS Input Signal Levels
- AES3
 - ✓ Two RS422 transceivers for AES3 TX and AES3 RX channels
 - ✓ Two 75-Ω BNC AES3 RX interfaces
 - ✓ Two 75-Ω BNC AES3 TX interfaces
- Power
 - ✓ High frequency switching regulator for 12-V to 5-V power conversion
 - ✓ Three linear regulators for 5-V to 3.3-V low noise power conversion
 - ✓ FDTIM analysis for power distribution network (PDN) decoupling
- Clocks
 - ✓ One SDI multi-frequency VCXO femto clock video PLL
 - ✓ 98.304 MHz/90.3168 MHz/122.88 MHz/112.896 MHz voltage-controlled crystal oscillator (VCXO) based phase-locked loop (PLL)
 - ✓ One LVPECL differential clock buffer with two differential outputs – HSMC and SMA
- Four digital audio isolation transformers
- One multi-format video sync separator
- One HSMC connector for interface conversion, which is fully compatible with HSMC host boards



Figure 1.1. The SDI HSMC Board

1.2 About the KIT

This section describes the package content

- SDI HSMC Board x 1
- System CD-ROM x 1

The CD contains technical documents of the SDI HSMC, and one reference design along with the source code.

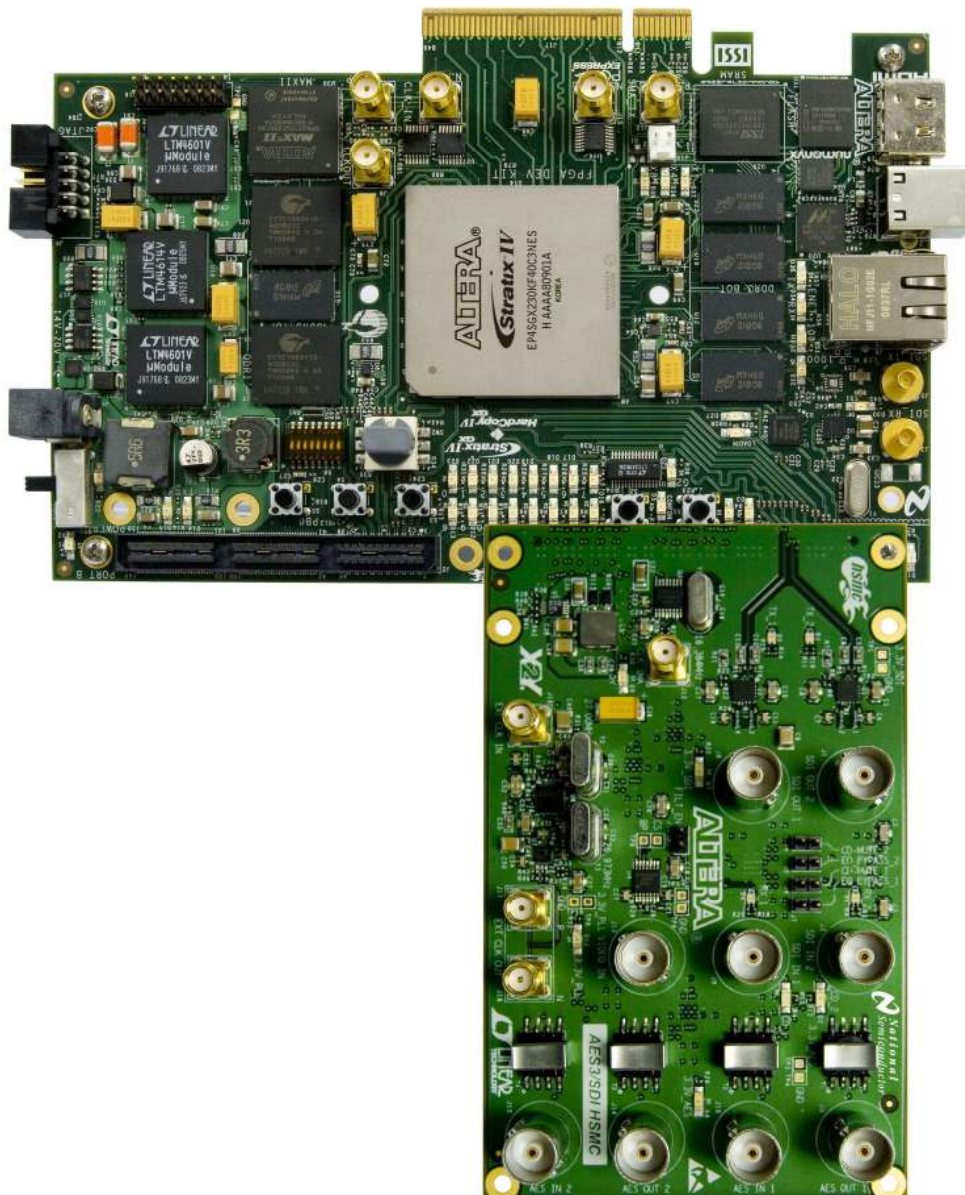


Figure 1.2 SDI HSMC Package

1.3 Assemble the SDI HSMC Board

This section describes how to connect the SDI HSMC board to a main board, and using the Stratix IV GX FPGA Development Board as an example.

The SDI HSMC board connects to the Stratix IV GX FPGA Development Board.



Note. Do not attempt to connect/remove the SDI HSMC daughter board to/from the main board when the power is on, or else the hardware could be damaged.

1.4 Getting Help

Here are some places to get help if you encounter any problem:

- ✓ Email to support@terasic.com
- ✓ Taiwan & China: +886-3-550-8800
- ✓ Korea : +82-2-512-7661
- ✓ Japan: +81-428-77-7000

This chapter covers the architecture of the SDI HSMC board including its PCB and block diagram.

2.1 Layout and Components

The picture of the SDI HSMC board is shown in Figure 2.1 and Figure 2.2. It depicts the layout of the board and indicates the location of the connectors and key components.

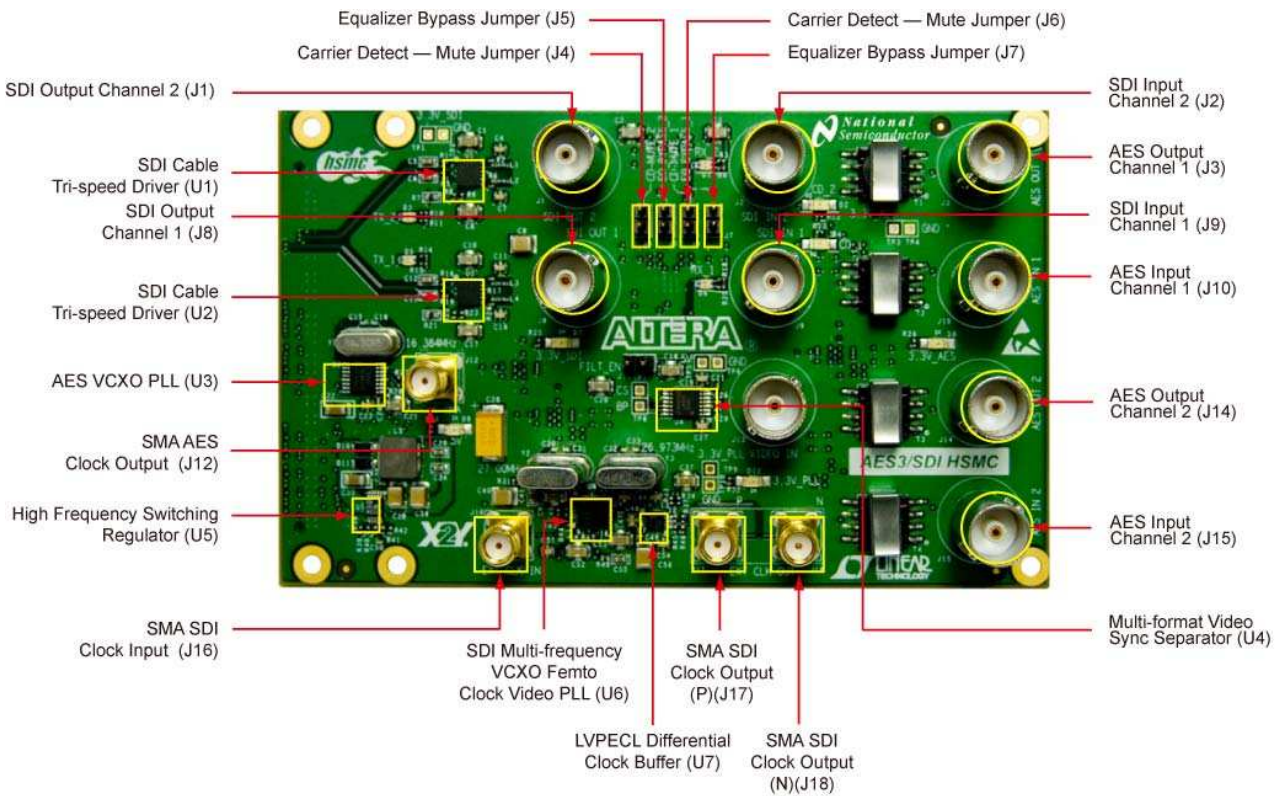


Figure 2.1. The SDI HSMC PCB and component diagram

Architecture

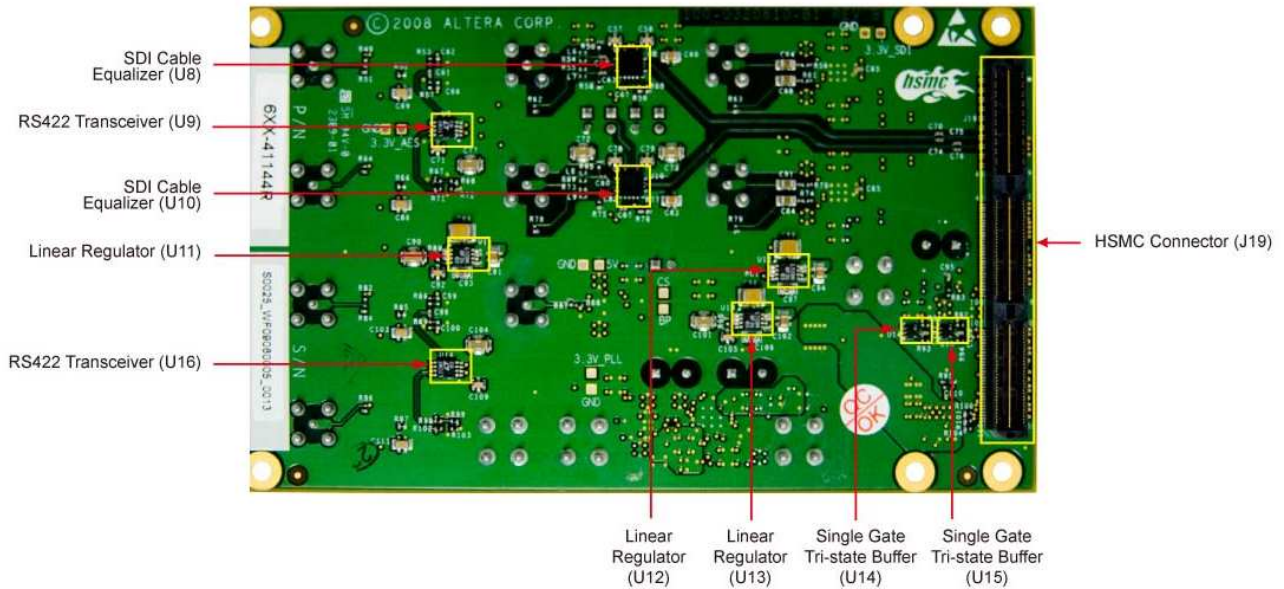


Figure 2.2. The SDI HSMC back side – HSMC connector view

The following components are provided on the SDI HSMC board :

- SDI Output Channel 2 (J1), SDI Input Channel 2 (J2), AES Output Channel 1 (J3), Equalizer Bypass Jumper (J5), Carrier Detect – Mute Jumper (J6), Equalizer Bypass Jumper (J7), SDI Output Channel 1 (J8), SDI Input Channel 1 (J9), AES Input Channel 1 (J10), SMA AES Clock Output (J12), AES Output Channel 2 (J14), AES Input Channel 2 (J15), SMA SDI Clock Input (J16), SMA SDI Clock Output (N) (J18)
- SDI Cable Tri-speed Driver (U1), SDI Cable Tri-speed Driver (U2), AES VCXO PLL (U3), Mutli-format Video Sync Separator (U4), High Frequency Switching Regulator (U5), SDI Multi-frequency VCXO Femto Clock Video PLL (U6), LVPECL Differential Clock Buffer (U7), SDI Cable Equalizer (U8), RS422 Transceiver (U9), SDI Cable Equalizer (U10), Linear Regulator (U11), Linear Regulator (U12), Linear Regulator (U13), Single Gate Tri-state Buffer (U14), Single Gate Tri-state Buffer (U15), RS422 Transceiver (U16), HSMC Connector (J19)

2.2 Block Diagram

Figure 2.3 shows the block diagram of the SDI HSMC board

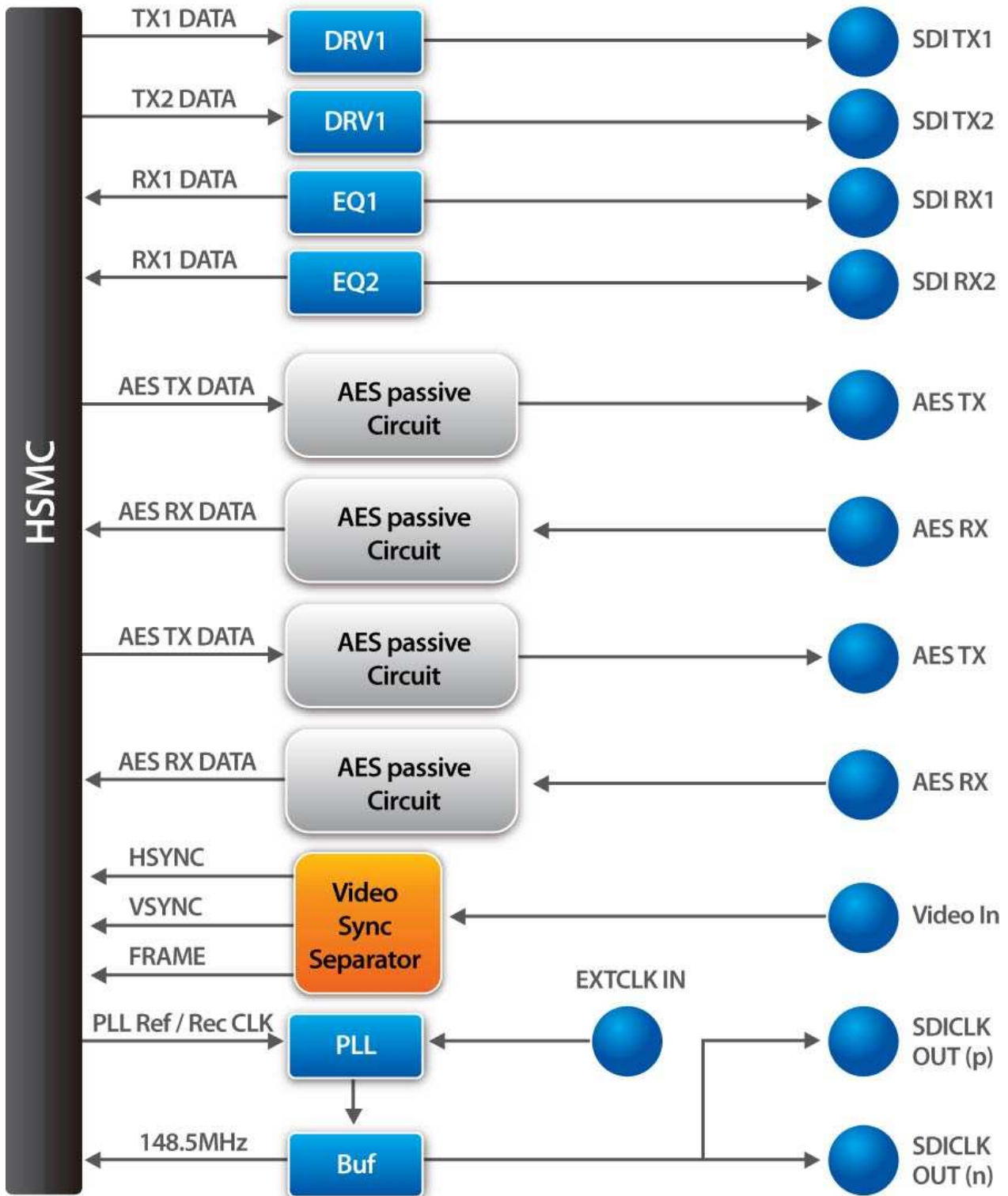


Figure 2.3. The block diagram of the SDI HSMC board

This section illustrates the detailed information of the components, connector interfaces, and the pin mapping tables of the SDI HSMC board.

3.1 The SDI HSMC Connector

This section describes pin definition of the SDI HSMC interface onboard

All the control and data signals of the SDI and AES are connected to the HSMC connector, so users can fully control the SDI HSMC board through the HSMC interface. Power is derived from 3.3V and 12V of the HSMC connector.

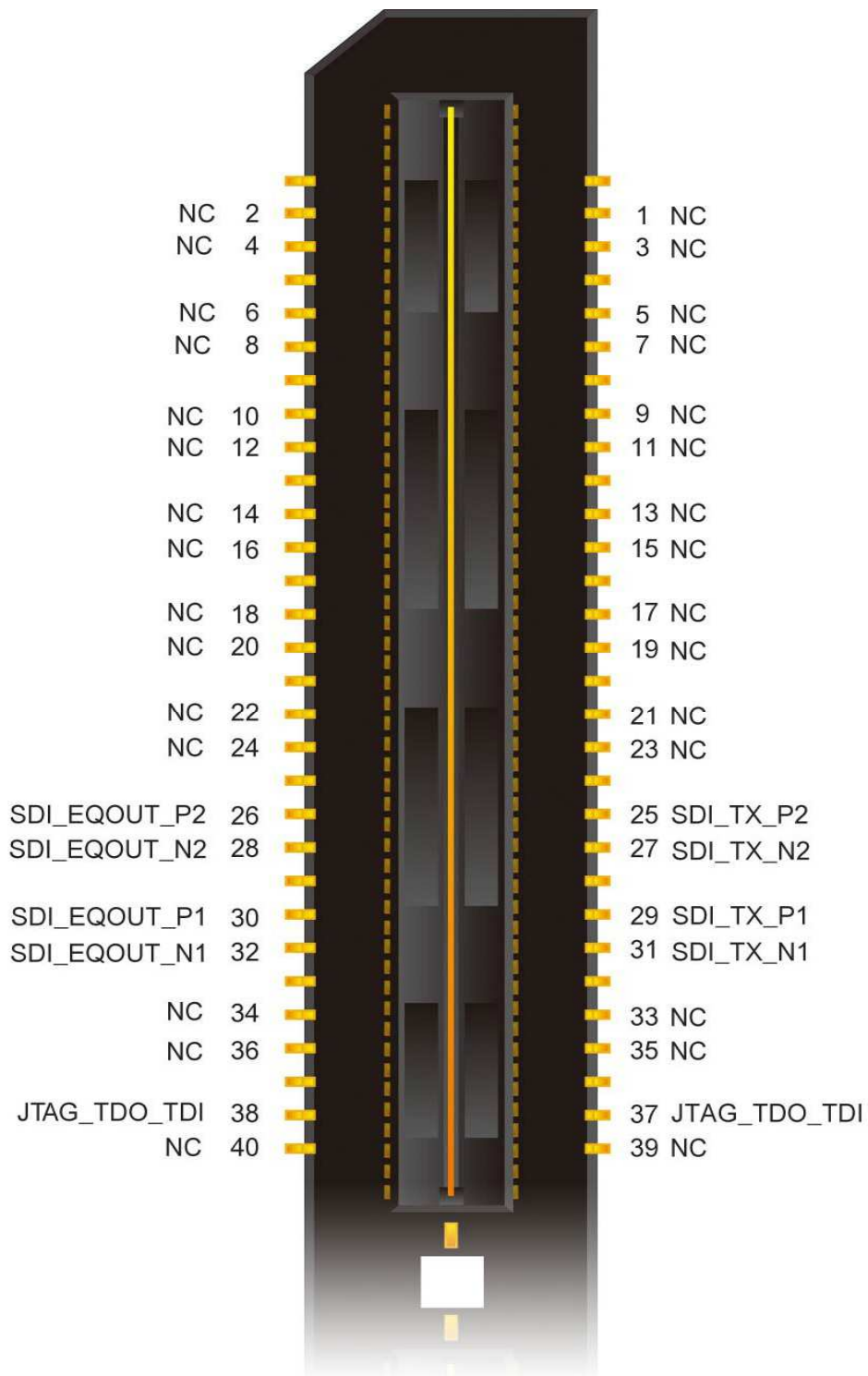


Figure 3.1. The pin-outs of Bank 1 on the HSMC connector

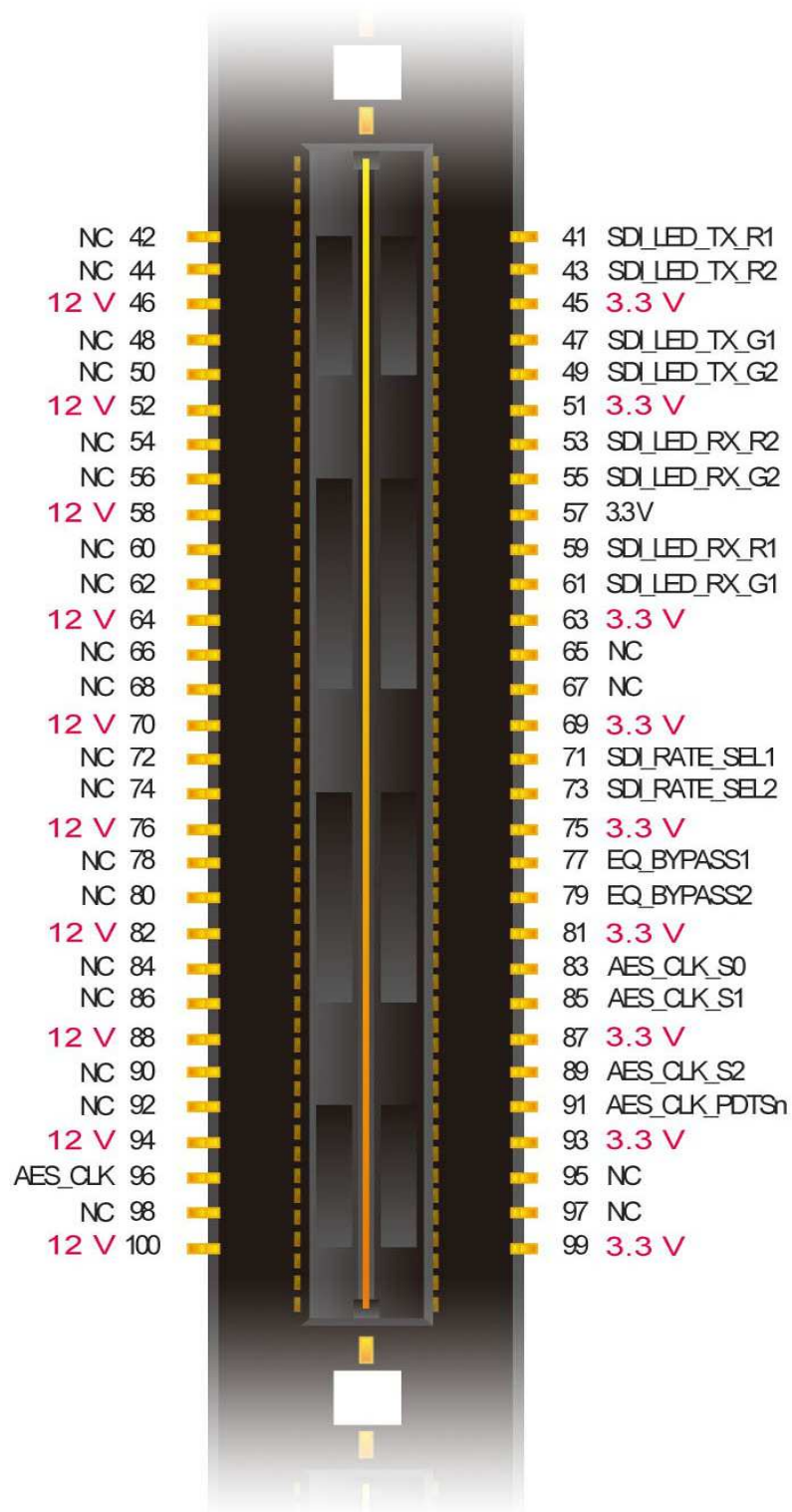


Figure 3.2. The pin-outs of Bank 2 of the HSMC connector.

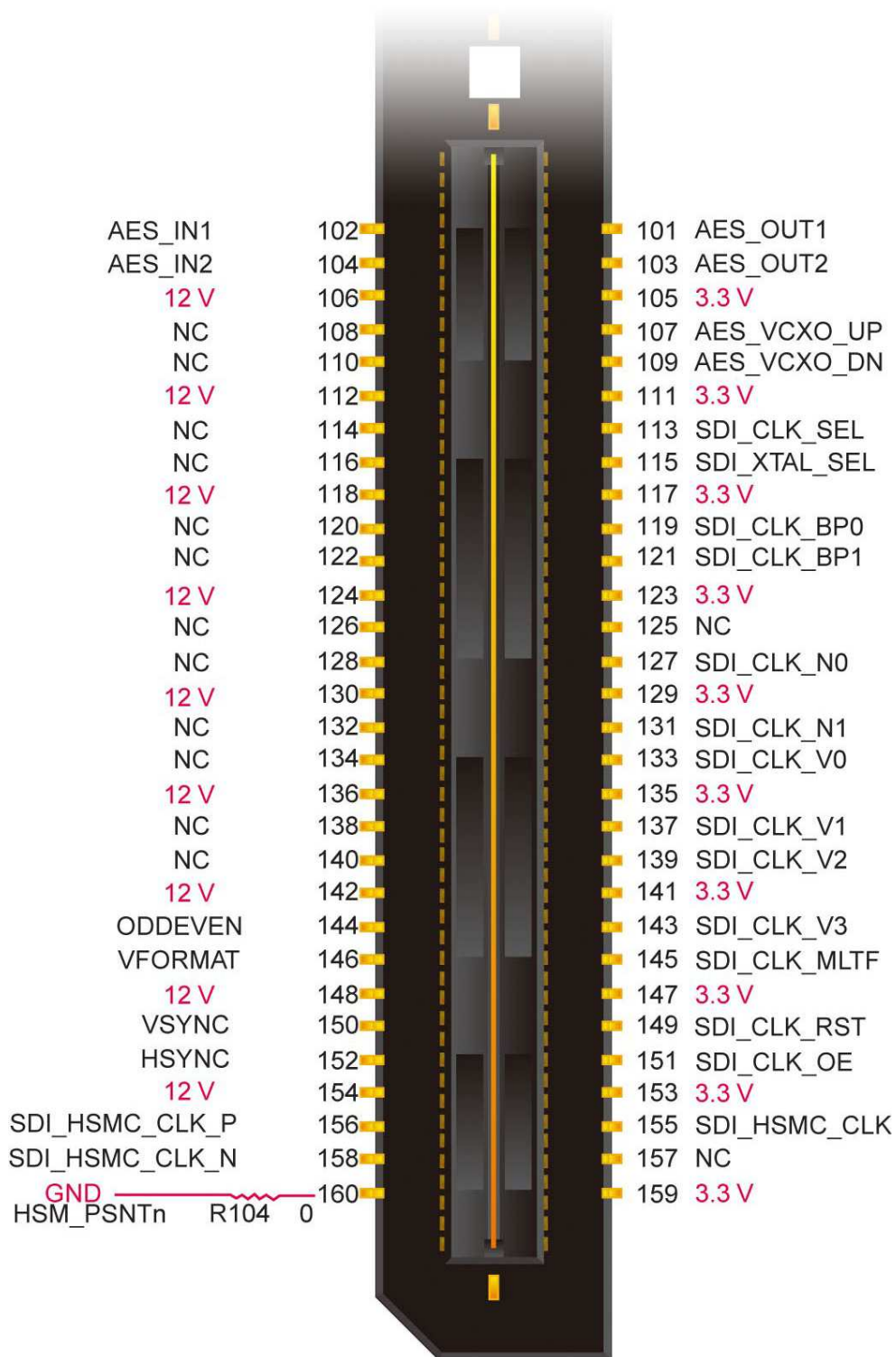


Figure 3.3. The pin-outs of Bank 3 of the HSMC connector

Board Components

The table 3.1 below lists the HSMC signal direction and description.

Table 3.1

| Pin Numbers | Name | Direction | Description |
|-------------|--------------|-----------|-------------------------------|
| 1 | N.C. | N/A | Not Connect |
| 2 | N.C. | N/A | Not Connect |
| 3 | N.C. | N/A | Not Connect |
| 4 | N.C. | N/A | Not Connect |
| 5 | N.C. | N/A | Not Connect |
| 6 | N.C. | N/A | Not Connect |
| 7 | N.C. | N/A | Not Connect |
| 8 | N.C. | N/A | Not Connect |
| 9 | N.C. | N/A | Not Connect |
| 10 | N.C. | N/A | Not Connect |
| 11 | N.C. | N/A | Not Connect |
| 12 | N.C. | N/A | Not Connect |
| 13 | N.C. | N/A | Not Connect |
| 14 | N.C. | N/A | Not Connect |
| 15 | N.C. | N/A | Not Connect |
| 16 | N.C. | N/A | Not Connect |
| 17 | N.C. | N/A | Not Connect |
| 18 | N.C. | N/A | Not Connect |
| 19 | N.C. | N/A | Not Connect |
| 20 | N.C. | N/A | Not Connect |
| 21 | N.C. | N/A | Not Connect |
| 22 | N.C. | N/A | Not Connect |
| 23 | N.C. | N/A | Not Connect |
| 24 | N.C. | N/A | Not Connect |
| 25 | SDI_TX_P2 | Input | Differential transmitted data |
| 26 | SDI_EQOUT_P2 | Output | Differential received data |
| 27 | SDI_TX_N2 | Input | Differential transmitted data |
| 28 | SDI_EQOUT_N2 | Output | Differential received data |
| 29 | SDI_TX_P1 | Input | Differential transmitted data |
| 30 | SDI_EQOUT_P1 | N/A | Differential received data |
| 31 | SDI_TX_N1 | Input | Differential transmitted data |
| 32 | SDI_EQOUT_N1 | Output | Differential received data |
| 33 | N.C. | N/A | Not Connect |

Board Components

| | | | |
|----|---------------|--------|---|
| 34 | N.C. | N/A | Not Connect |
| 35 | N.C. | N/A | Not Connect |
| 36 | N.C. | N/A | Not Connect |
| 37 | JTAG_TDO_TDI | Inout | JTAG data loop through |
| 38 | JTAG_TDO_TDI | Inout | JTAG data loop through |
| 39 | N.C. | N/A | Not Connect |
| 40 | N.C. | N/A | Not Connect |
| 41 | SDI_LED_TX_R1 | Input | Red LED signal transmit channel 1 |
| 42 | N.C. | N/A | Not Connect |
| 43 | SDI_LED_TX_R2 | Input | Red LED signal transmit channel 2 |
| 44 | N.C. | N/A | Not Connect |
| 45 | 3V3 | Power | Power 3.3V |
| 46 | 12V | Power | Power 12V |
| 47 | SDI_LED_TX_G1 | Input | Green LED signal transmit channel 1 |
| 48 | N.C. | N/A | Not Connect |
| 49 | SDI_LED_TX_G2 | Input | Green LED signal transmit channel 2 |
| 50 | N.C. | N/A | Not Connect |
| 51 | 3V3 | Power | Power 3.3V |
| 52 | 12V | Power | Power 12V |
| 53 | SDI_LED_RX_R2 | Output | Red LED signal receive channel 2 |
| 54 | N.C. | N/A | Not Connect |
| 55 | SDI_LED_RX_G2 | Output | Green LED signal receive channel 2 |
| 56 | N.C. | N/A | Not Connect |
| 57 | 3V3 | Power | Power 3.3V |
| 58 | 12V | Power | Power 12V |
| 59 | SDI_LED_RX_R1 | Output | Red LED signal receive channel 1 |
| 60 | N.C. | N/A | Not Connect |
| 61 | SDI_LED_RX_G1 | Output | Green LED signal receive channel 1 |
| 62 | N.C. | N/A | Not Connect |
| 63 | 3V3 | Power | Power 3.3V |
| 64 | 12V | Power | Power 12V |
| 65 | N.C. | N/A | Not Connect |
| 66 | N.C. | N/A | Not Connect |
| 67 | N.C. | N/A | Not Connect |
| 68 | N.C. | N/A | Not Connect |
| 69 | 3V3 | Power | Power 3.3V |
| 70 | 12V | Power | Power 12V |
| 71 | SDI_RATE_SEL1 | Input | Cable driver's slew rate for desired bit rate |

Board Components

| | | | |
|-----|---------------|--------|---|
| 72 | N.C. | N/A | Not Connect |
| 73 | SDI_RATE_SEL2 | Input | Cable driver's slew rate for desired bit rate |
| 74 | N.C. | N/A | Not Connect |
| 75 | 3V3 | Power | Power 3.3V |
| 76 | 12V | Power | Power 12V |
| 77 | EQ_BYPASS1 | Input | Equalizer bypass receive channel 1 |
| 78 | N.C. | N/A | Not Connect |
| 79 | EQ_BYPASS2 | Input | Equalizer bypass receive channel 2 |
| 80 | N.C. | N/A | Not Connect |
| 81 | 3V3 | Power | Power 3.3V |
| 82 | 12V | Power | Power 12V |
| 83 | AES_CLK_S0 | Input | AES frequency select |
| 84 | N.C. | N/A | Not Connect |
| 85 | AES_CLK_S1 | Input | AES frequency select |
| 86 | N.C. | N/A | Not Connect |
| 87 | 3V3 | Power | Power 3.3V |
| 88 | 12V | Power | Power 12V |
| 89 | AES_CLK_S2 | Input | AES frequency select |
| 90 | N.C. | N/A | Not Connect |
| 91 | AES_CLK_PDTSn | Input | AES clock power down and tri-state |
| 92 | N.C. | N/A | Not Connect |
| 93 | 3V3 | Power | Power 3.3V |
| 94 | 12V | Power | Power 12V |
| 95 | N.C. | N/A | Not Connect |
| 96 | AES_CLK | Output | AES clock reference |
| 97 | N.C. | N/A | Not Connect |
| 98 | N.C. | N/A | Not Connect |
| 99 | 3V3 | Power | Power 3.3V |
| 100 | 12V | Power | Power 12V |
| 101 | AES_OUT1 | Input | AES data output 1 |
| 102 | AES_IN1 | Input | AES data input 1 |
| 103 | AES_OUT2 | Input | AES data output 2 |
| 104 | AES_IN2 | Input | AES data input 2 |
| 105 | 3V3 | Power | Power 3.3V |
| 106 | 12V | Power | Power 12V |
| 107 | AES_VCXO_UP | Input | AES VCXO frequency control |
| 108 | N.C. | N/A | Not Connect |
| 109 | AES_VCXO_DN | Input | AES VCXO frequency control |

Board Components

| | | | |
|-----|--------------|--------|-------------------------------------|
| 110 | N.C. | N/A | Not Connect |
| 111 | 3V3 | Power | Power 3.3V |
| 112 | 12V | Power | Power 12V |
| 113 | SDI_CLK_SEL | Input | SDI clock input select |
| 114 | N.C. | N/A | Not Connect |
| 115 | SDI_XTAL_SEL | Input | SDI clock crystal select |
| 116 | N.C. | N/A | Not Connect |
| 117 | 3V3 | Power | Power 3.3V |
| 118 | 12V | Power | Power 12V |
| 119 | SDI_CLK_BP0 | Input | SDI clock control |
| 120 | N.C. | N/A | Not Connect |
| 121 | SDI_CLK_BP1 | Input | SDI clock control |
| 122 | N.C. | N/A | Not Connect |
| 123 | 3V3 | Power | Power 3.3V |
| 124 | 12V | Power | Power 12V |
| 125 | N.C. | N/A | Not Connect |
| 126 | N.C. | N/A | Not Connect |
| 127 | SDI_CLK_N0 | Input | SDI clock control |
| 128 | N.C. | N/A | Not Connect |
| 129 | 3V3 | Power | Power 3.3V |
| 130 | 12V | Power | Power 12V |
| 131 | SDI_CLK_N1 | Input | SDI clock control |
| 132 | N.C. | N/A | Not Connect |
| 133 | SDI_CLK_V0 | Input | SDI clock control |
| 134 | N.C. | N/A | Not Connect |
| 135 | 3V3 | Power | Power 3.3V |
| 136 | 12V | Power | Power 12V |
| 137 | SDI_CLK_V1 | Input | SDI clock control |
| 138 | N.C. | N/A | Not Connect |
| 139 | SDI_CLK_V2 | Input | SDI clock control |
| 140 | N.C. | N/A | Not Connect |
| 141 | 3V3 | Power | Power 3.3V |
| 142 | 12V | Power | Power 12V |
| 143 | SDI_CLK_V3 | Input | SDI clock control |
| 144 | ODDEVEN | Output | Video sync output of odd/even field |
| 145 | SDI_CLK_MLTF | Input | SDI clock control |
| 146 | VFORMAT | Output | Video sync output |
| 147 | 3V3 | Power | Power 3.3V |

| Board Components | | | |
|------------------|----------------|--------|--------------------------------|
| 148 | 12V | Power | Power 12V |
| 149 | SDI_CLK_RST | Input | SDI clock control |
| 150 | VSYNC | Output | Vertical sync output |
| 151 | SDI_CLK_OE | Input | SDI clock output enable |
| 152 | HSYNC | Output | Horizontal sync output |
| 153 | 3V3 | Power | Power 3.3V |
| 154 | 12V | Power | Power 12V |
| 155 | SDI_HSMC_CLK | Input | SDI chip reference clock input |
| 156 | SDI_HSMC_CLK_P | Output | SDI clock hot reference clock |
| 157 | N.C. | N/A | Not Connect |
| 158 | SDI_HSMC_CLK_N | N/A | SDI clock hot reference clock |
| 159 | 3V3 | Power | Power 3.3V |
| 160 | GND | Power | Power Ground |

3.2 Audio/Video Input and Output

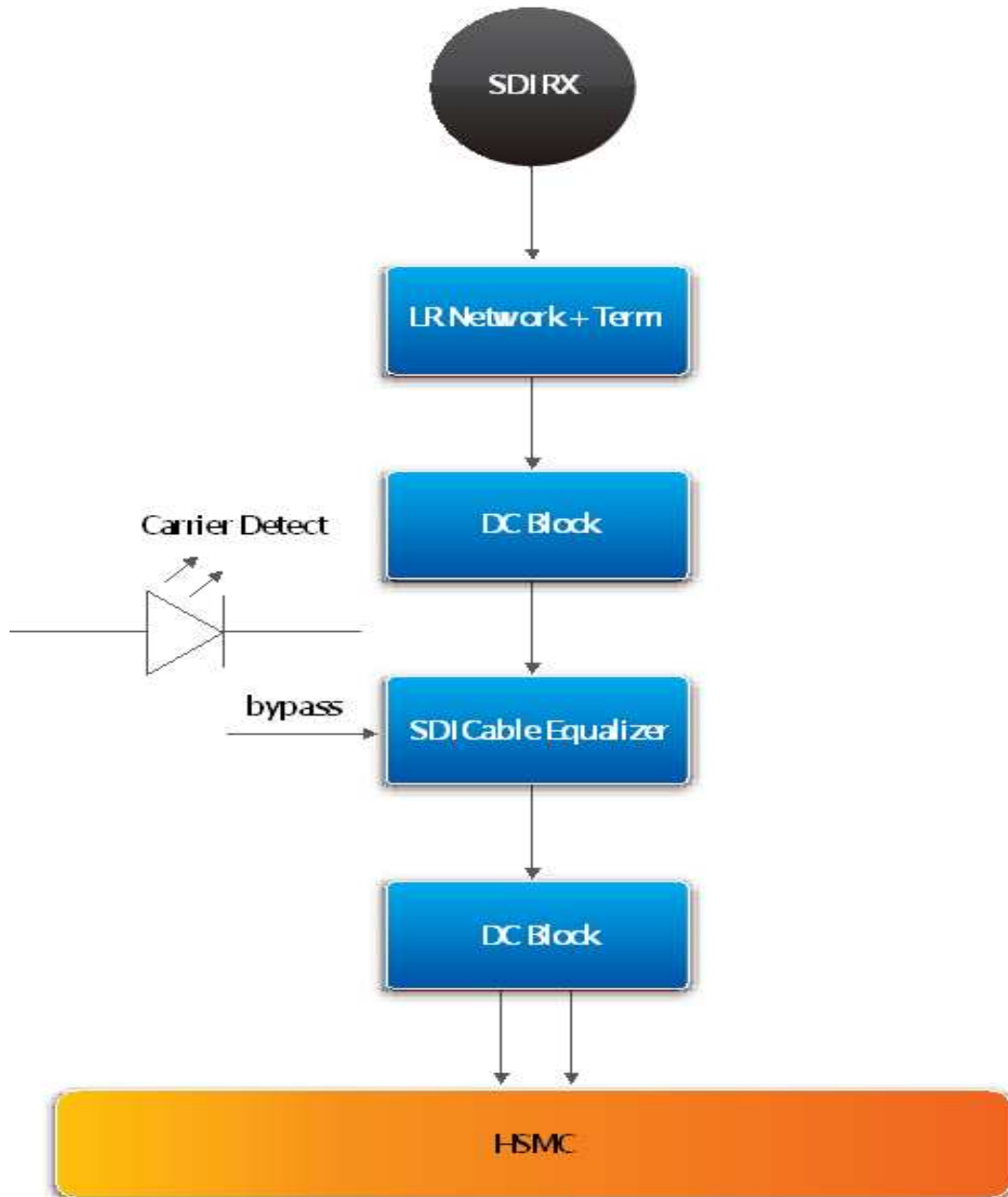
This section describes the I/O channels of the SDI HSMC.

SDI RX Channels

The SDI RX channel consists of an SDI cable equalizer (LMH0344) with bypass, an input matching network, an input vertical mount with a 4-GHz BNC connector, a bypass control signal, DC blocking caps on the input and output, and a carrier detect LED.

The RX channel receives 270 Mbps, 1.485 Gbps, and 2.970 Gbps SDI signals through a single-ended 75-Ω BNC connector. The signals traverse an impedance-matching network provided by the manufacturer. The input signal is terminated to ground with a 75-Ω external resistor and is input into the SDI cable equalizer via a 1- μF DC blocking capacitor. The opposite leg of the SDI cable equalizer's differential input pin is terminated in the same way as the input signal and serves to correctly balance the input bias currents internal to the equalizer. The equalizer then equalizes the signal and outputs a 100-Ω differential signal to the SERDES receiver located on the host HSMC device. The differential output of the SDI cable equalizer passes through 1- μF DC blocking capacitors.

Figure 3.4 shows the SDI RX channel block diagram



SDI TX Channels

The SDI TX channel consists of a SDI cable tri-speed driver (LMH0302) with slew rate control, an output impedance matching network, an output vertical mount with a 4-GHz BNC connector, an SDI rate select control signal, DC blocking caps on the input and output, and a red/green LED.

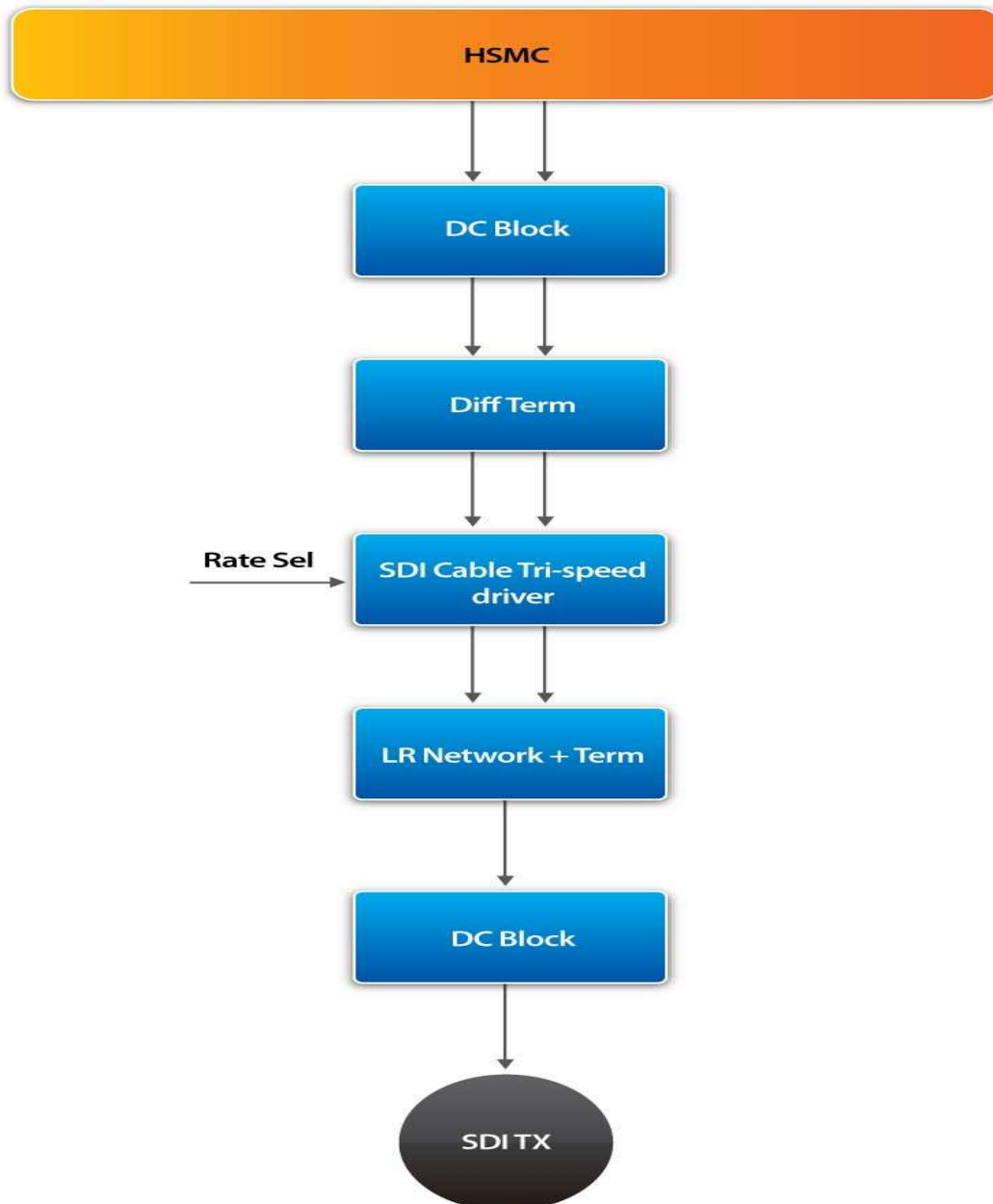
The SDI TX channel transmits at 270 Mbps, 1.485 Gbps and 2.970 Gbps rates using a 75-Ω coaxial cable. The SDI signals traverses an impedance matching network provided by the manufacturer and then goes through a DC blocking capacitor before being sent to the BNC connector. The output signal is back-terminated to 3.3 V externally with 75-Ω resistors. The output DC blocking capacitors consist of 4.7- μF

Board Components

capacitors. The opposite leg of the SDI cable driver's differential output pin is terminated in the same way as the output signal and serves to correctly balance the output currents internal to the device.

The output of the TX pins of the HSMC host boards should not be installed with DC blocking capacitors. If DC blocking capacitors are installed, remove the capacitors and install 0- Ω resistors of the same foot print size (0402). The input of the SDI cable driver is differentially terminated with a 100- Ω resistor and has 4.7- μF DC blocking capacitors.

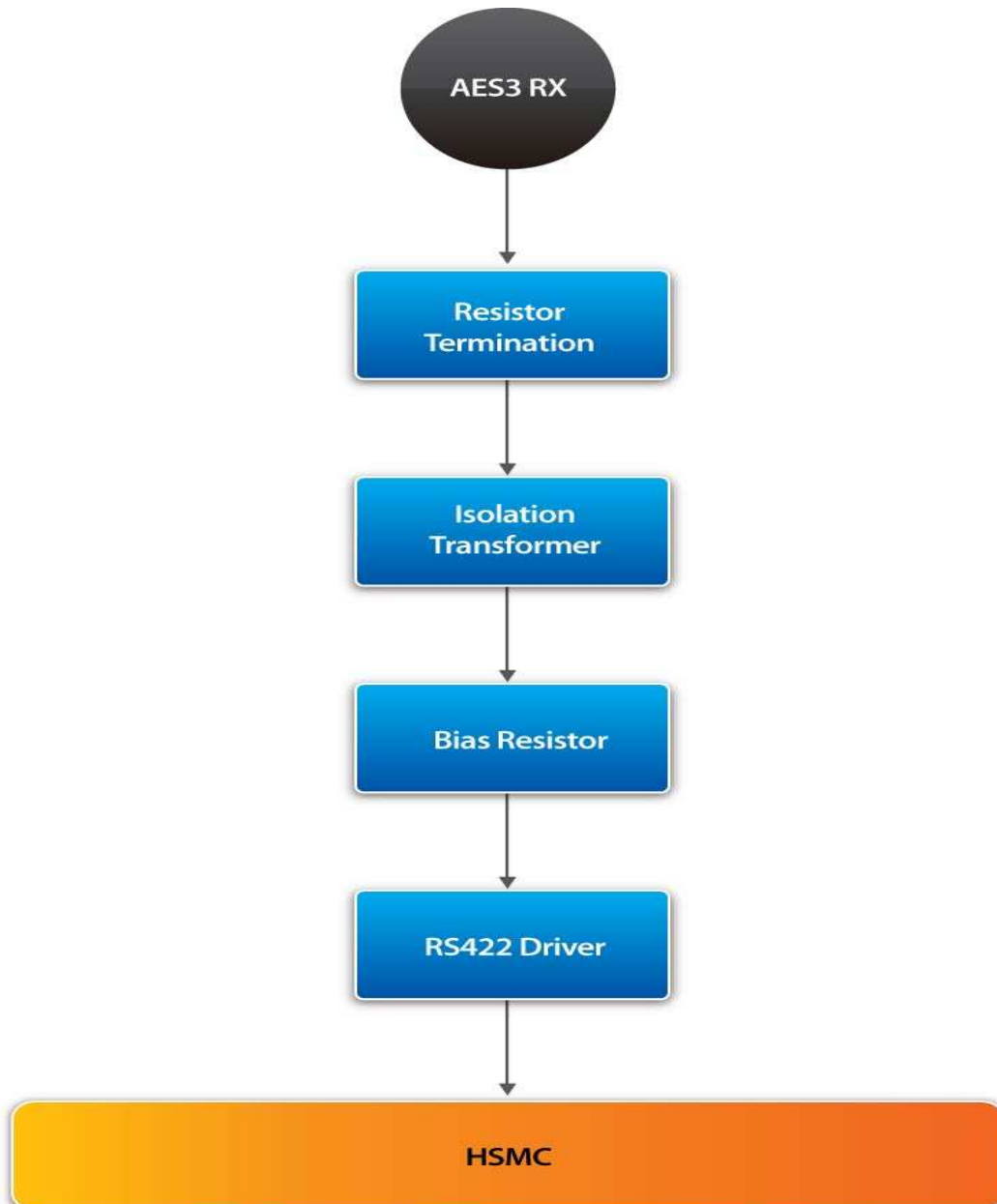
Figure 3.5 shows the SDI TX Channel block diagram



AES3 RX Channels

The AES3 RX channel delivers a 75-Ω load termination with a return loss of 25 dB or more. The signal is input through a 75-Ω BNC and terminated with a 75-Ω resistor to ground. The unbalanced signal is then balanced through an isolation transformer. The differential signal output from the transformer is biased and input to a RS422 transceiver. The output of the RS422 transceiver is a single-ended LVCMOS signal which is driven to the host board through the HSMC connector.

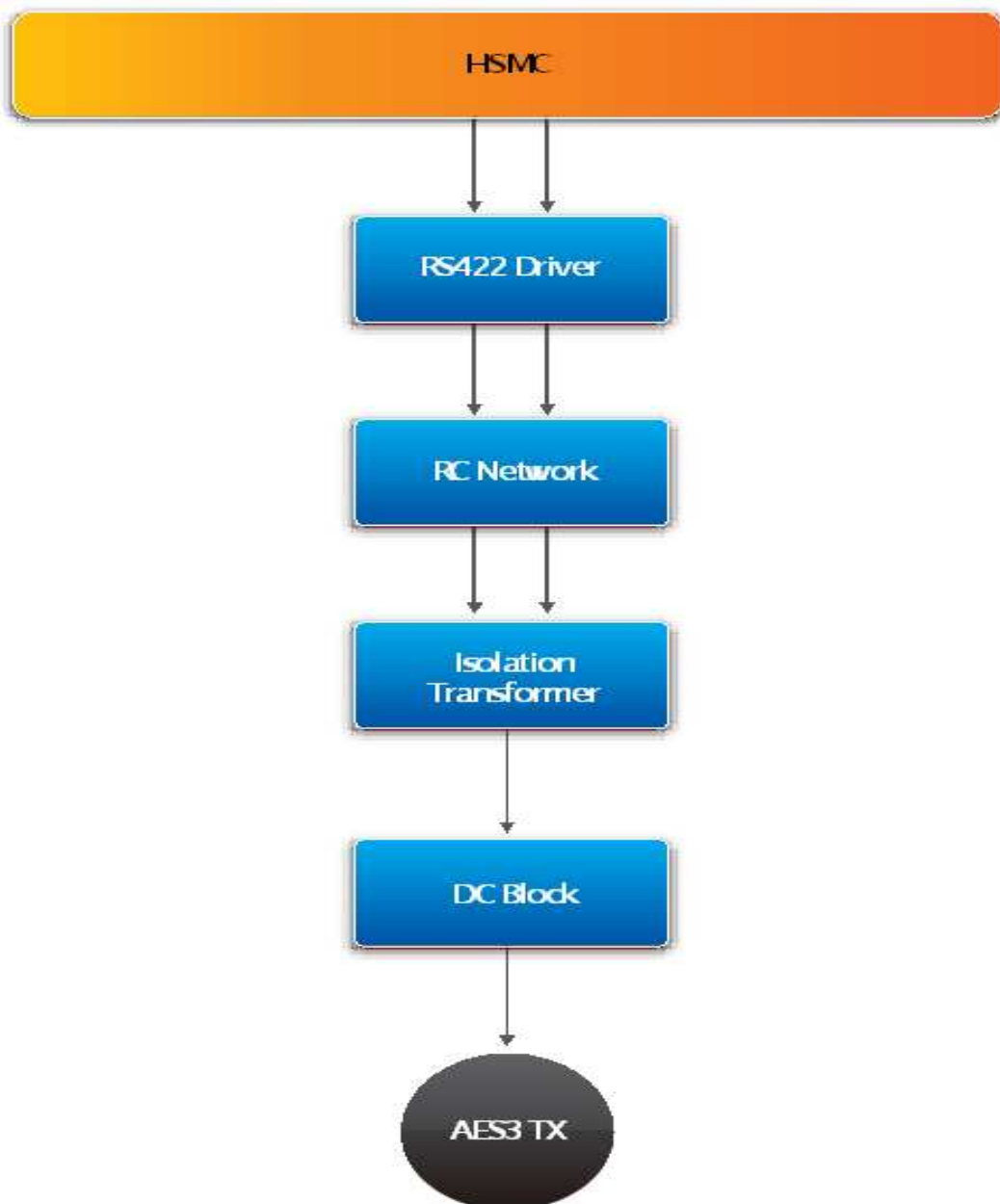
Figure 3.6 shows the AES3 RX Channel block diagram



AES3 TX Channels

The AES3 TX channel is designed to have a balanced signal driver to the isolation transformer. The output of the RS422 transceiver has an RX network to limit the output slew rate, thus limiting the bandwidth of AES3 output. The AES3 channel is designed to support 192-kHz to 24-kHz sample rates. The output is unbalanced with a source impedance of 75 Ω and a return loss of 25 dB or more. The peak-to-peak output voltage is 1.0V centered around the ground of the transmitter.

Figure 3.7 shows the AES3 TX Channel block diagram



3.3 Clock Circuitry

This section describes the board's clock inputs and outputs.

SDI Clock

The reference clocks can be generated from the host board, external video sources, and external SDI sources. The output of the clock generator should produce frequency of 148.5 MHz or 148.5 MHz/1.001 (148.35 MHz) from the SMA outputs or the HSMC connector.

Figure 3.8 shows the SDI HSMC clocking diagram.

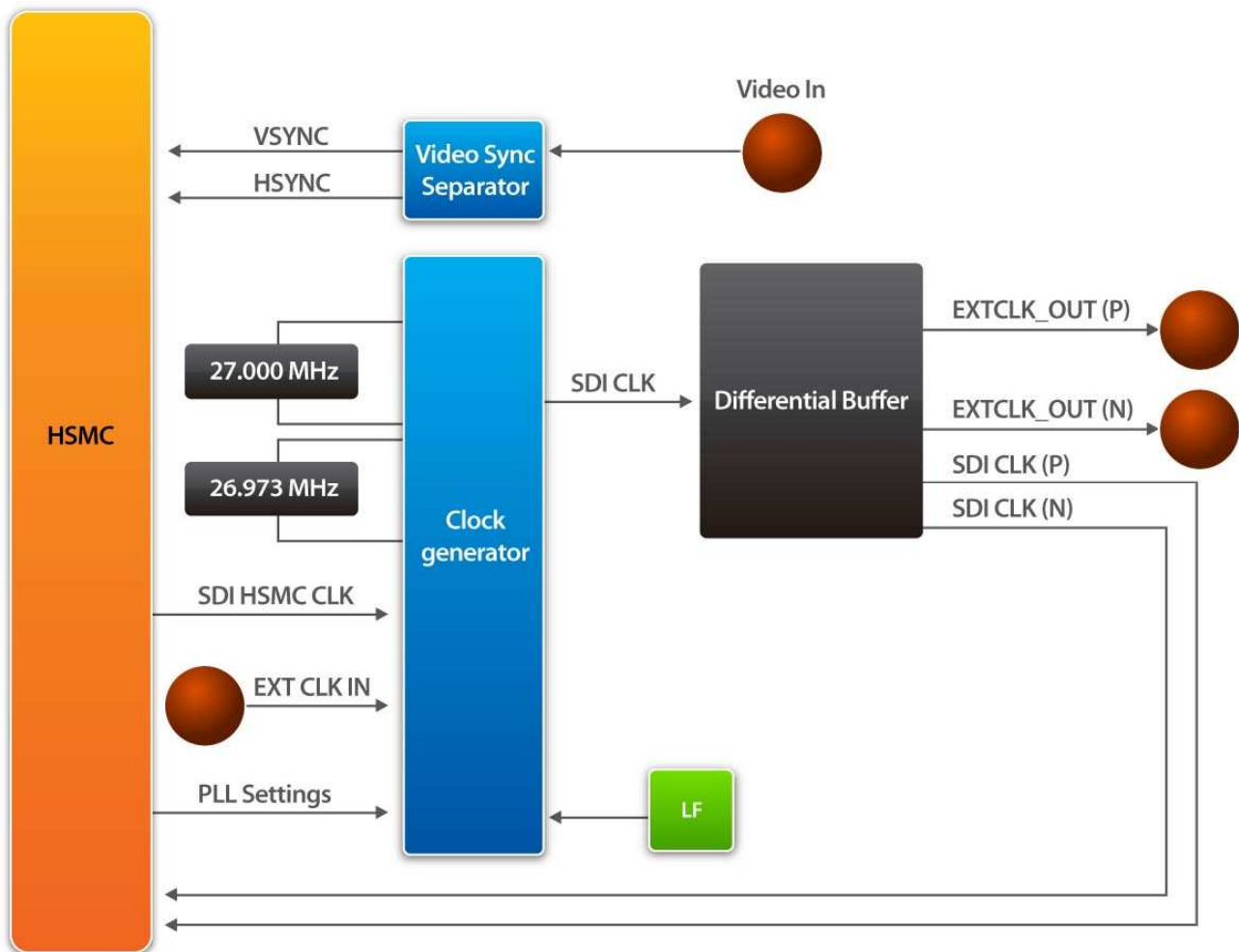


Figure 3.8 SDI HSMC Clocking diagram

The SDI multi-frequency VCXO femto clock video PLL (ICS810001-21) is utilized for the SDI reference clocks. The board inputs two crystals, 27 MHz and 26.973027 MHz to the clock generator which allow low-jitter operation for US and European SDI standard rates. The HSMC signal SDI_XTAL_SEL determines which crystal is locked by the internal VCXO. Clock inputs to the SDI PLL can come from either the HSMC host or through an SMA input where both inputs are end-terminated at 50 Ω to ground. The HSMC signal SDI_CLK_SEL determines which input is active.

The output of the clock generator is single-ended. A differential LVPECL clock buffer is used to convert the reference clock to differential signal and drive the signal to the host device to prevent common mode noise that might be present in the signaling path from the clock generator to the HSMC host device.

Host Board Reference Clock

You can select one of the several reference clock frequencies to input as a reference to the DI multi-frequency VCXO femto clock video PLL. For example, if the host board has a 100-MHz oscillator, you can divide the frequency by 6,400 to 15.625 kHz and drive that frequency to the clock generator to be multiplied to 148.5 MHz. We recommend locking the VCXO PLL to a stable oscillator which is located on the host board when the daughtercard is sourcing data or when the VCXO PLL is not locked onto a received signal or reference. This locking prevents wandering or frequency hunting.

Loop Back Reference Clock From SDI Input

When an RX channel is locked onto the input data stream, the recovered clock represents the actual bit rate of the stream. This recovered clock is often 74.25 MHz and can be buffered from the host board and driven out through the HSMC interface to the clock generator on the SDI HSMC. The clock output from the host is cleaned (jitter), multiplied to 148.5 MHz, and driven back to the host board to be used as the SERDES reference clock. Using this technique maintains the flow through timing.

Studio Reference Timing

If a studio clock source (a 27-MHz source) is available, the source can be connected to the EXT CLK IN SMA port on the daughtercard.

Studio Reference Video Timing

A video synchronizing separator is provided to synchronize the SDI video output streams to analog video. The horizontal and vertical syncs are driven to the host board and can be driven back to the video clock generator chip to produce a 148.5-MHz SERDES reference.

AES3 Clock

AES3 clocking uses clock device from IDT (ICS275-22) that comes with pre-programmed to produce 93.304 MHz, 90.3168 MHz (4x oversampling), 122.88 MHz, and 112.896 MHz (5x oversampling) from a 16.384-MHz crystal. Output CLK1 and CLK2 are connected to the HSMC and SMA connector respectively. Output CLK1 is connected to the MSHC connector and drives a signal to the host device. Output CLK2 can be used

for a reference, to trigger test equipment or to sync a signal to other devices in the AES3 system.

The base part (ICS275) is a VCXO that can have various combinations of input, output, and feedback dividers to produce variations of the crystal frequency. The control voltage input of the device is controlled by a passive network of resistors and capacitors that are connected to tri-state buffers, one driven high and the other driven low when in the active state (non-tri-stated). The single gate devices are powered by 3.3 V to allow full swing of the control voltage (Vin, AES_CLK_V) because the ICS275 is also powered by 3.3 V. The tri-state-enabled pins are controlled by the host device connected to the HSMC. These pins should not be allowed to float.

To use the ICS275 as a normally oscillator and not as a VCXO, drive signals AES_VCXO_UP and AES_VCXO_DN both to logic 1. Both output signals are enabled and the resulting voltage output after the resistor or capacitor network is a mid-voltage driven to the Vin of the ICS275 device.

To use the ICS275 as a VCXO in a PLL application, connect the phase detector to the AES3 up and down control signals.

Table 3.2 the audio rate and clock frequencies supported by the SDI HSMC

| Audio Sample Rate (kHz) | Bit Rate Clock (MHz) | Oversampling Rate | VCXO Frequency |
|-------------------------|----------------------|-------------------|----------------|
| 24.00 | 3.0720 | 32 | 98.3040 |
| 32.00 | 4.090 | 24 | 98.3040 |
| 44.10 | 5.6448 | 16 | 90.3168 |
| 48.00 | 6.1440 | 16 | 98.3040 |
| 88.20 | 11.2896 | 8 | 90.3168 |
| 96.00 | 12.2880 | 8 | 98.3040 |
| 176.4 | 22.5792 | 4 | 90.3168 |
| 192 | 24.5760 | 4 | 98.3040 |
| 24.00 | 3.0720 | 40 | 122.8800 |
| 32.00 | 4.0960 | 30 | 122.8800 |
| 44.10 | 5.6448 | 20 | 112.8960 |
| 48.00 | 6.1440 | 20 | 122.8800 |
| 88.20 | 11.2896 | 10 | 112.8960 |
| 96.00 | 12.2880 | 10 | 122.880 |
| 176.4 | 22.5792 | 5 | 112.8960 |
| 192 | 24.5760 | 5 | 122.8800 |

Table defines the frequency output with respect to the three 1-bit control signals, S [2:0]. Outputs from CLK3 and CLK4 are not used in the VCXO PLL. The frequencies programmed into the VCXO PLL support 4x and 5x over-sampling of the most popular audio sample rates.

Table 3.3 VCXO PLL Frequency Output

| S2 | S1 | S0 | CLK1 (MHz) | CLK2 (MHz) | CLK3 | CLK4 |
|----|----|----|------------|------------|------|------|
| 0 | 0 | 0 | 98.304 | 98.304 | OFF | OFF |
| 0 | 0 | 1 | 90.3168 | 90.3168 | OFF | OFF |
| 0 | 1 | 0 | 122.88 | 122.88 | OFF | OFF |
| 0 | 1 | 1 | 112.896 | 112.896 | OFF | OFF |
| 1 | 0 | 0 | 98.304 | 122.88 | OFF | OFF |
| 1 | 0 | 1 | 90.3168 | 112.896 | OFF | OFF |
| 1 | 1 | 0 | 98.304 | 90.3168 | OFF | OFF |
| 1 | 1 | 1 | 122.88 | 112.896 | OFF | OFF |

3.4 General User Input/Output

This section describes the user I/O interface to the board

The SDI HSMC board has jumper switches CD_MUTE channels 1 and 2 and EQ_BYPASS channels 1 and 2. By default, the jumpers are installed on the CD_MUTE jumper switches (J4 and J6), while the EQ_BYPASS jumper switches (J5 and J7) are not installed. Jumpers J5 (EQ_BYPASS2) and J7 (EQ_BYPASS1) can be controlled from the host device.

Table 3.4 lists the jumper descriptions and schematic signal names

| Board Reference | Schematic Signal Name | Description | I/O Standard |
|-----------------|-----------------------|--|--------------|
| J4 | CD_MUTE2 | Carrier detect jumper switch which connects to RX channel 2 (CD_MUTE2) on U8. This jumper is normally installed. | Signal short |
| J5 | EQ_BYPASS2 | Equalizer bypass for RX channel 2. The equalizer can be by passed manually when EQ_BYPASS2 signal is tri-stated. This jumper is normally not installed and the switch is controlled by asserting the EQ_BYPASS2 signal. A high signal bypasses the SDI receiver equalizer. | CMOS |
| J6 | CD_MUTE1 | Carrier detect jumper switch which connects to RX channel 1 (CD_MUTE1) on U10. This jumper is normally installed. | Signal short |
| J7 | EQ_BYPASS1 | Equalizer bypass for RX channel 1. The equalizer can be bypassed manually when EQ_BYPASS1 signal is tri-stated this jumper is normally not installed and the switch is controlled by asserting the EQ_BYPASS1 signal. A high signal bypasses the SDI receiver equalizer. | CMOS |

3.5 Power Supply

This section describes the power supply on the SDI HSMC board

The power distribution on the SDI HSMC board is shown in Figure 3.9

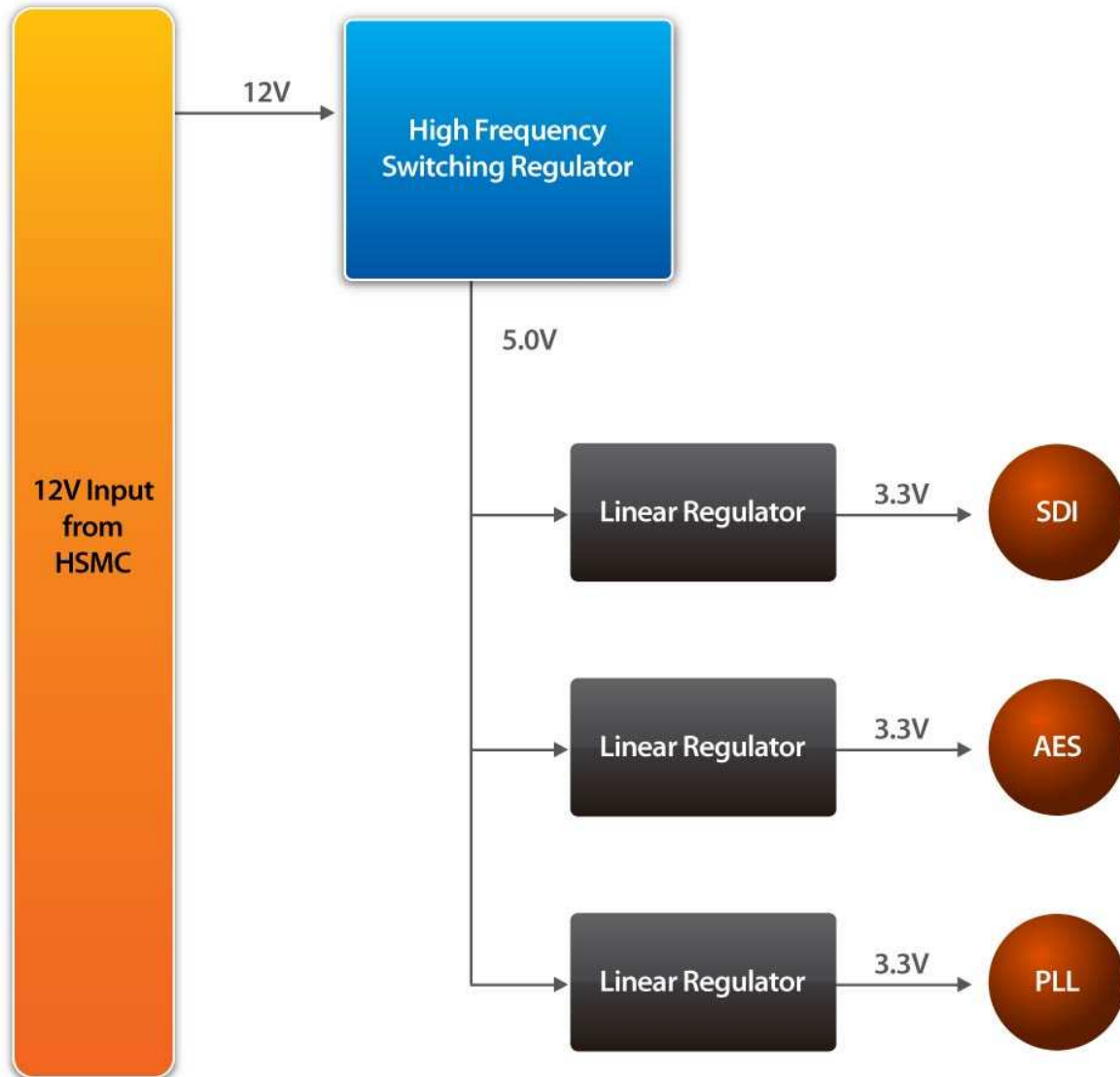


Figure 3.9 Power distribution on the SDI HSMC board

This Chapter illustrates the reference design for the SDI HSMC board

4.1 Introduction

This section describes the functionality of the demonstration briefly.

The demonstration shows how to use the Stratix IV GX FPGA Development Board to test the functionality of the SDI video and AES audio transmit and receive pairs. The tests are PRBS data pattern loopback tests using the two AES digital audio ports and the two SDI digital video ports on the SDI HSMC. AES audio channel tests run at 24 Mbps and SDI tests run at 2.97 Gbps.

4.2 System Requirements

The following items are required for the SDI HSMC demonstration.

- HSMC SDI Board x 1
- Stratix IV GX FPGA Development Board x 1
- 75-Ω BNC to BNC Cables x 4
- Jumpers for CD_MUTE x 2

4.3 Setup the Demonstration

Figure 4.3 shows how to setup hardware for the SDI HSMC demonstration.



Note: The SDI HSMC board must be connected to HSMC Slot “A” of the Stratix IV GX FPGA Development Board for this demonstration.

Figure 4.3

4.4 Demo Operation

This section describes the procedures of running the demonstration

FPGA Configuration

Demonstration Setup, File Locations, and Instructions

SDI HSMC Demo:

- Project directory: S4PCIe_HSMCAESSDI_test
- Bit Stream used: S4PCIe_HSMCAESSDI_test.sof

Demonstration

- Connect the AES/SDI HSMC board to the Stratix IV GX FPGA Development Board to HSMC Slot “A”
- Connect the 75-Ω BNC cables from:
 - J1 (SDI OUT 2) to J2 (SDI IN 2)
 - J8 (SDI OUT 1) to J9 (SDI IN 1)
 - J14 (AES OUT 2) to J2 (AES IN 2)
 - J3 (AES OUT 1) to J10 (AES IN 1)
- Install Jumpers for J4 (CD_MUTE 2) and J6 (CD_MUTE 1)
- Set the rotary switch (SW2) to the 1 position.
- Power on the Stratix IV GX FPGA Development Board and download with SOF file (S4PCIe_HSMCAESSDI_test.sof)
- Press reset button located on the host board to initiate the test

4.5 Overview

This section describes the design concepts for the SDI HSMC demonstration.

To monitor the results of each test, connect a BNC loopback cable between the corresponding, transmit and receive connectors. Tests run on all channels simultaneously, but only channels with loopback cables display accurate information.

When the Stratix IV GX FPGA Development Board is powered on, the LEDs (D1, D3, D5, D6) alternate between the states of: OFF, RED, GREEN, ORANGE.

Connection Test:

The connection test verifies the connections made on the SDI and AES channels.

By pressing pushbutton PB0 on the host board it will check if everything is connected correctly and data is being transmitted and received correctly. The USER LEDs 1, 2, 4, 5 on the host board correspond to links SDI port 1, SDI port2, AES port 1 and AES port2 respectively which will illuminate if the connection are connected correctly.

If LEDs 1, 2, 4, 5 do not illuminate then there is connectivity issue with that link, otherwise if they all illuminate then the receivers are receiving the correct data.

Error Insertion Test:

The error insertion test inserts a bit error into the transmit data stream each time you press the following push button:

By pressing pushbutton PB1 which forces an error links on SDI and AES1 that causes LEDs 2 and 5 to go out respectively.

By pressing pushbutton PB2 which forces an error links on SD2 and AES2 that causes LEDs 1 and 4 to go out respectively.

By pressing PB0, LEDS 1, 2, 4, 5 will turn back on.

Self-debugging Test:

Perform the following test to debug connectivity issues with the SDI transmitters to SDI receivers, and AES transmitters to AES receivers.

By disconnecting BNC from SDI OUT 1 (J8), LED 2 will go out.

By disconnecting BNC from SDI OUT 2 (J1), LED 1 will go out.

By disconnecting BNC from AES OUT 1 (J3), LED 5 will go out.

By disconnecting BNC from AES OUT 2 (J14), LED 4 will go out.

You may cross connect the SDI transmitters to the SDI receivers, as well as the AES transmitters to the AES receivers. If during a cross connection a channel fails, then the failure is in the transmitter of that channel that was failing.

5 Appendix



5.1 Revision History

| Date | Change Log |
|---------------|--|
| AUG 20 , 2009 | Initial Version |
| SEPT 23, 2009 | SDI driver part number corrected in the SDI TX section |

5.2 Always Visit SDI HSMC Webpage for New Main board

We will be continuing providing interesting examples and labs on our SDI HSMC

webpage. Please visit www.altera.com or hsmcsdi.terasic.com for more information.