

MATERIAL NO.	ENGINEERING NO.	FINISHED LENGTH
1300060219	103000A01F0302	3 FT. (0.91 M)
1300060256	103000A01F4002	40 FT. (12.19 M)
1300062250	103000A01F8002	80 FT. (24.38 M)

**CABLE LENGTH TOLERANCES**

<.3M [1FT]: +19mm-0 [ +.75in-0]

.3 - .9M [1 - 3FT]: +44.5mm-0 [+1.75in-0]

.9 - 1.8M [3 - 6FT]: +55.6mm-0 [+2.19in-0]

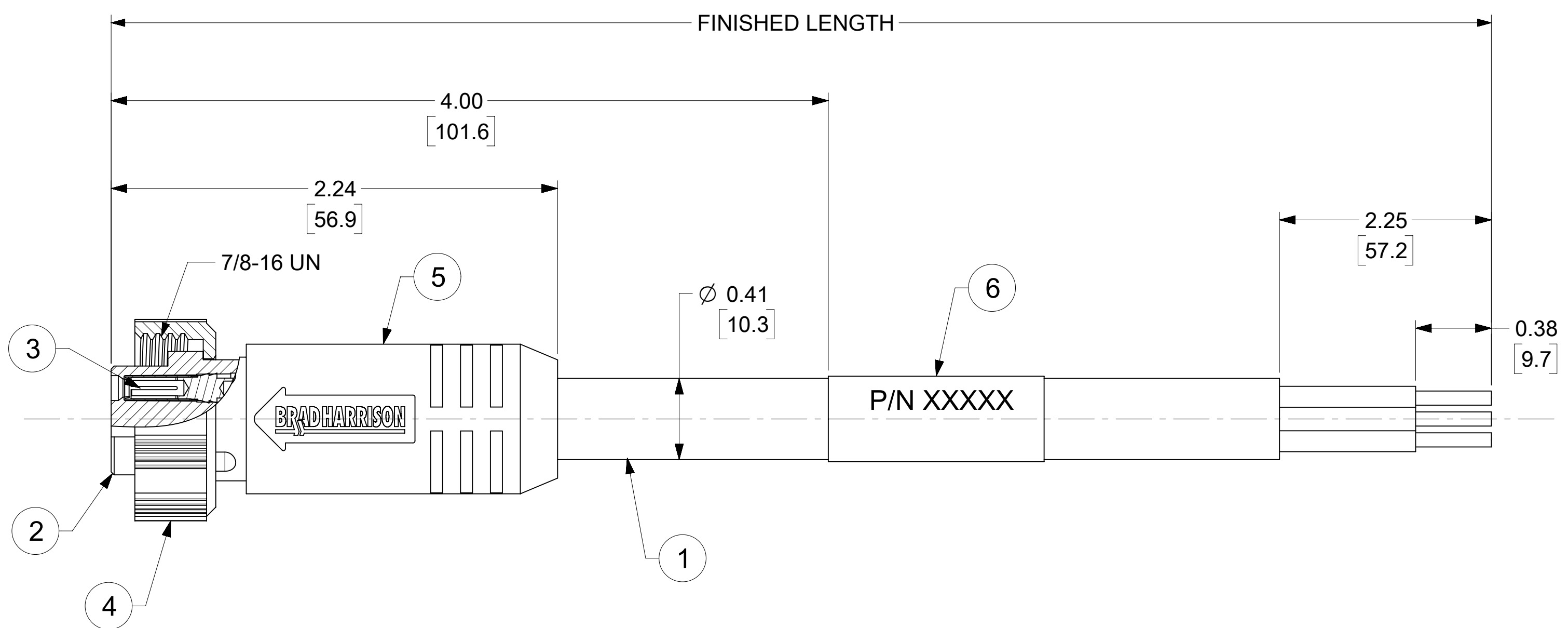
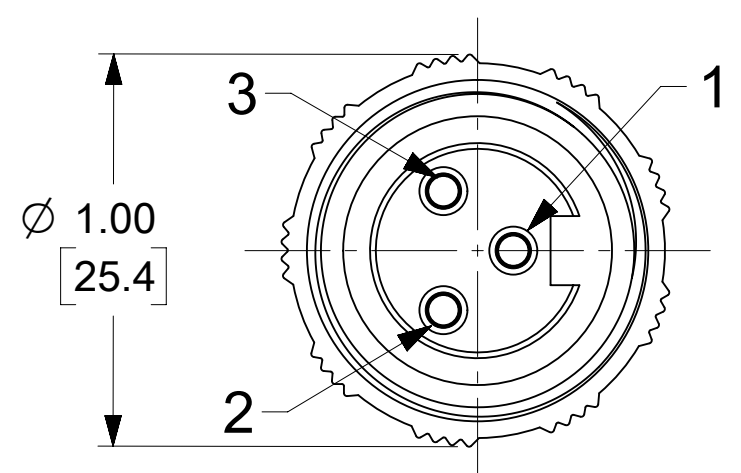
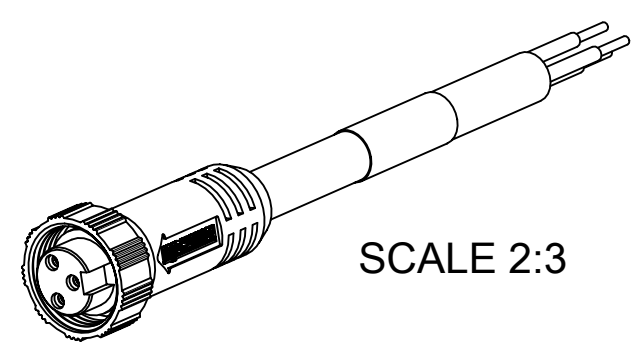
1.8 - 3.7M [6 - 12FT]: +88.9mm-0 [+3.50in-0]

3.7 - 7.3M [12 - 24FT]: +165.1mm-0 [+6.50in-0]

7.3-14.6M [24 - 48FT]: +317.5mm-0 [+12.50in-0]

14.6 - 30.5M [48-100FT]: +622.3mm-0 [+24.50in-0]

OVER 30M [100FT] +2% OF FINISHED LENGTH



- NOTES:**
- MATERIAL: AS NOTED
  - FINISH: AS NOTED
  - ELECTRICAL:
    - VOLTAGE: 500V PER IEC60664 (B)
    - 600V PER UL2238
    - CURRENT: 13A
  - TEMP RATING: -20°C TO +105°C (B)
  - PROTECTION: IP67 (WHEN MATED)
  - CSA CERTIFIED FILE: LR6837 (B)
  - UL RECOGNIZED FILE: E152210
  - ASSEMBLY IS ROHS COMPLIANT
  - ALL DIMS ARE FOR REFERENCE UNLESS TOLERANCED OR NOTED OTHERWISE

**WIRING DIAGRAM**

1	GREEN/YELLOW
2	BLACK
3	WHITE

**PART NUMBER MATRIX (B)**

103000A01F0602

FINISHED LENGTH  
 F001= .1 FT  
 F020= 2 FT  
 F200= 20 FT

ITEM	DESCRIPTION	MATERIAL	FINISH
6	WRAP LABEL	VINYL	BLACK/YELLOW
5	OVERMOLD	TPE	YELLOW
4	COUPLING NUT	NYLON	GRAY
3	SOCKET CONTACT	Cu ALLOY	GOLD OVER NICKEL
2	FEMALE INSERT	TPE	YELLOW
1	#16-3 YELLOW STOOV/ST	PVC JACKET	YELLOW

FUNCTIONAL SYMBOLS										THIS DRAWING CONTAINS INFORMATION THAT IS PROPRIETARY TO MOLEX ELECTRONIC TECHNOLOGIES, LLC AND SHOULD NOT BE USED WITHOUT WRITTEN PERMISSION													
DIMENSION UNITS					SCALE					CURRENT REV DESC: UPDATED ITEM #2, 5 & DIA. ADDED CSA, UL, IEC VOLT & TEMP, TOL. CHART & PART NO. MATRIX. MODIFIED PN CHART													
INCH/MM					2:1					EC NO: 673727 DRWN: VHANDI 2021/05/21 CHK'D: RSTONE 2021/08/25 APPR: BWOODMAN 2021/08/27 INITIAL REVISION: DRWN: RSTONE 2021/11/28 APPR: JFMURPHY 2013/03/01													
GENERAL TOLERANCES (UNLESS SPECIFIED)																							
4 PLACES ±					MM					INCH													
3 PLACES ±					±					±													
2 PLACES ±					±					± 0.01													
1 PLACE ±					0.3					±													
0 PLACES ±					±					±													
ANGULAR TOL ±					2.0 °					THIRD ANGLE PROJECTION													
DRAFT WHERE APPLICABLE MUST REMAIN WITHIN DIMENSIONS					DRAWING					SERIES													
					C-SIZE					130006													
DOCUMENT STATUS			P1			RELEASE DATE			2021/08/27 14:24:14			DOCUMENT NUMBER			DOC TYPE			DOC PART			REVISION		
SD-130006-047			PSD			001			B			MATERIAL NUMBER			CUSTOMER			SHEET NUMBER					
SEE TABLE			GENERAL MARKET			1 OF 1																	