

MATERIALS AND FINISHES

BODY ZINC ALLOY  
PLATED NICKEL

CENTER CONTACT PHOSPHOR BRONZE  
PLATED GOLD

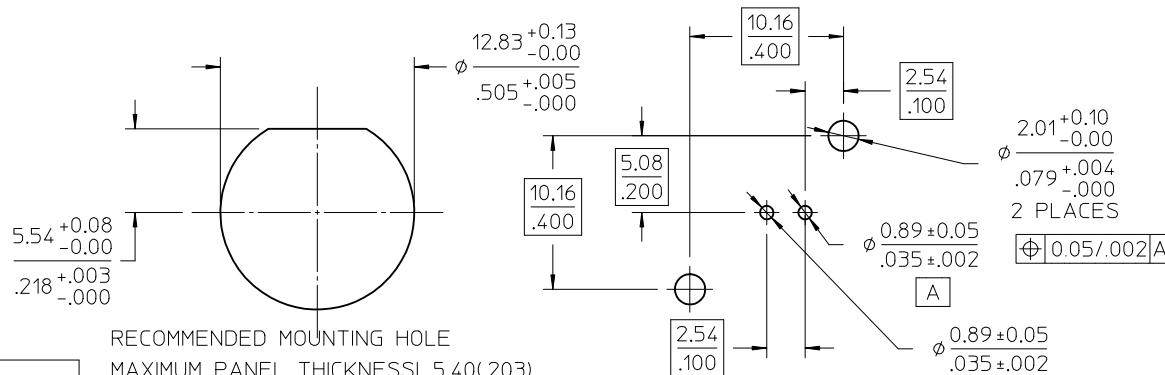
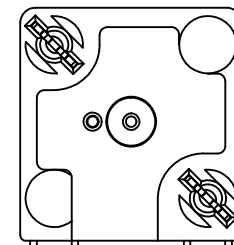
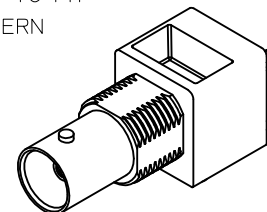
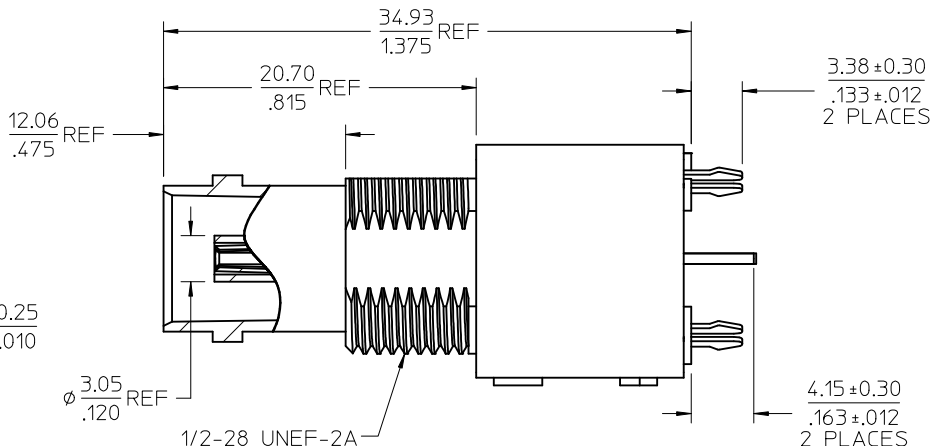
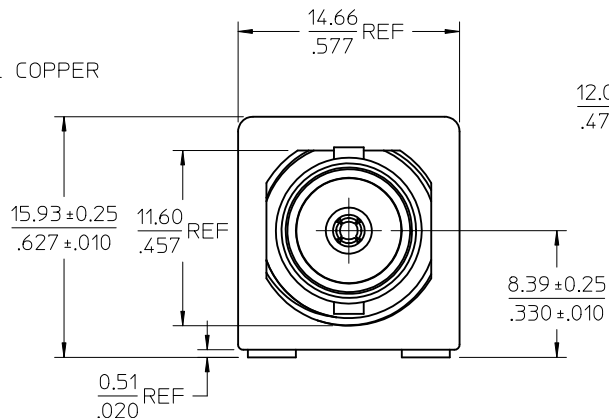
INSULATOR POLYPROYLENE (94V0)

BOARD LOCK PHOSPHOR BRONZE  
PLATED TIN

SOLDER TAIL COPPER  
PLATED TIN

BNC JACK  
75 OHMS  
INTERFACE

LEADS ARE TO BE  
ADJUSTED TO FIT  
PCB PATTERN



PART # 73101-0030

RECOMMENDED MOUNTING HOLE  
MAXIMUM PANEL THICKNESS: 5.40(.203)  
RECOMMENDED MOUNTING TORQUE:  
1.36 N-m(12 INCH-LBS)

RECOMMENDED PCB HOLE  
CONFIGURATION

PS-73598-0051	PRODUCT SPECIFICATION
SPECIFICATION	DESCRIPTION

CHG: CORRECT TYPO OF SOLDER TAIL PER RF11-E022 EC NO: 2010/09/23 DRW: DRWINRYEH CHKD: 2010/09/30 APPR: MHUANG REV: C2	QUALITY SYMBOLS ▽=0 ▽=0	GENERAL TOLERANCES (UNLESS SPECIFIED) <table border="1"> <tr> <th></th> <th>mm</th> <th>INCH</th> </tr> <tr> <td>4 PLACES</td> <td>± .005</td> <td>± .0005</td> </tr> <tr> <td>3 PLACES</td> <td>± .005</td> <td>± .0005</td> </tr> <tr> <td>2 PLACES</td> <td>± .005</td> <td>± .0005</td> </tr> <tr> <td>1 PLACE</td> <td>± .005</td> <td>± .0005</td> </tr> </table> ANGULAR ± 2°  DRAFT WHERE APPLICABLE MUST REMAIN WITHIN DIMENSIONS		mm	INCH	4 PLACES	± .005	± .0005	3 PLACES	± .005	± .0005	2 PLACES	± .005	± .0005	1 PLACE	± .005	± .0005	DIMENSION STYLE MM/IN	SCALE METRIC	DESIGN UNITS METRIC	THIRD ANGLE PROJECTION
				mm	INCH																
4 PLACES	± .005	± .0005																			
3 PLACES	± .005	± .0005																			
2 PLACES	± .005	± .0005																			
1 PLACE	± .005	± .0005																			
DRAWN BY WILSON	DATE 1996/03/01	TITLE BNC JACK, VERTICAL PCB, DIE CAST, 75 OHMS BNC-J/PCB		MOLEX INCORPORATED		SHEET NO. 1 OF 1															
APPROVED BY MHUANG		DATE 2010/09/30		DOCUMENT NO. SD-73101-003		THIS DRAWING CONTAINS INFORMATION THAT IS PROPRIETARY TO MOLEX INCORPORATED AND SHOULD NOT BE USED WITHOUT WRITTEN PERMISSION															