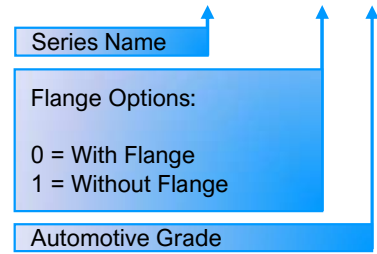


SPECIFICATIONS:

- Insulation Resistance:
- 100MΩ min. at 500V DC (unmated)
 - 10MΩ min. at 150V DC (mated)
- Withstanding Voltage:
- 500V AC for 1min (unmated)
 - 300V AC for 1min (mated)
- Voltage Rating: 40V AC
 Current Rating: 0.5A
 Contact Resistance: 100mΩ max. at 20mV max.
 Operating Temp.: -40°C ~ +85°C
 Mating Cycle: 10 times

PART NUMBER:

PKS019-500X-0VE



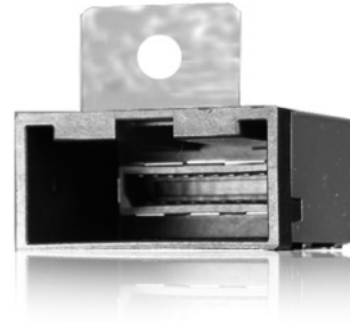
AUTOMOTIVE COMPLIANT

MATERIALS AND FINISH:

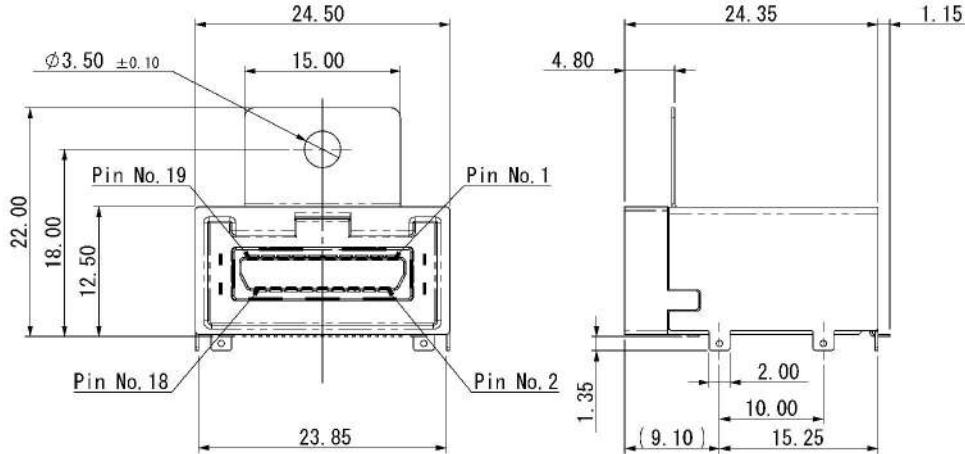
- Contacts: Cu Alloy
- Metal Shell & Flange: Cu Alloy
- Insulator Body: Heat Resistance Plastic

FEATURES:

- Automotive Grade Type E HDMI
- HDMI ver. 1.4b compliant
- Optional Flange for additional mount security
- NO RESTRICTIN on circuitry layout pattern area
- PKH019 HDMI Cable Assembly Available
- R/A SMT Standard Mount
- RoHS and REACH compliant



OUTLINE DIMENSIONS (mm, WITH FLANGE):



RECOMMENDED PC BOARD LAYOUT (mm):

