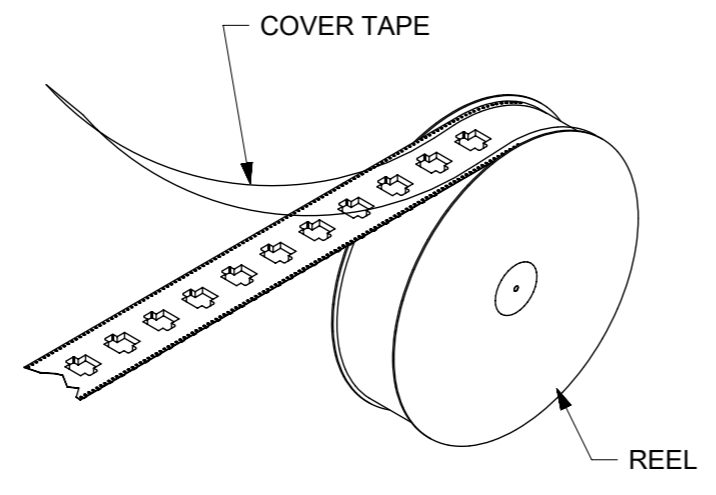
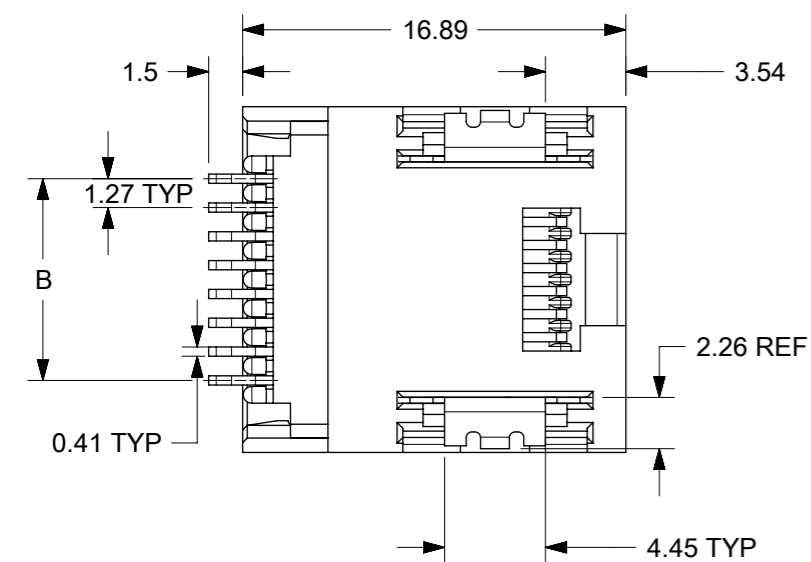


HOUSING SIZE	CIRCUIT SIZE	DIM. A	DIM. B
6	6	13.21	6.35
6	4	13.21	3.81
6	2	13.21	1.27
8	8	15.24	8.89
8	6	15.24	6.35



VACUUM FORMED CARRIER TAPE WITH SPROCKET HOLES

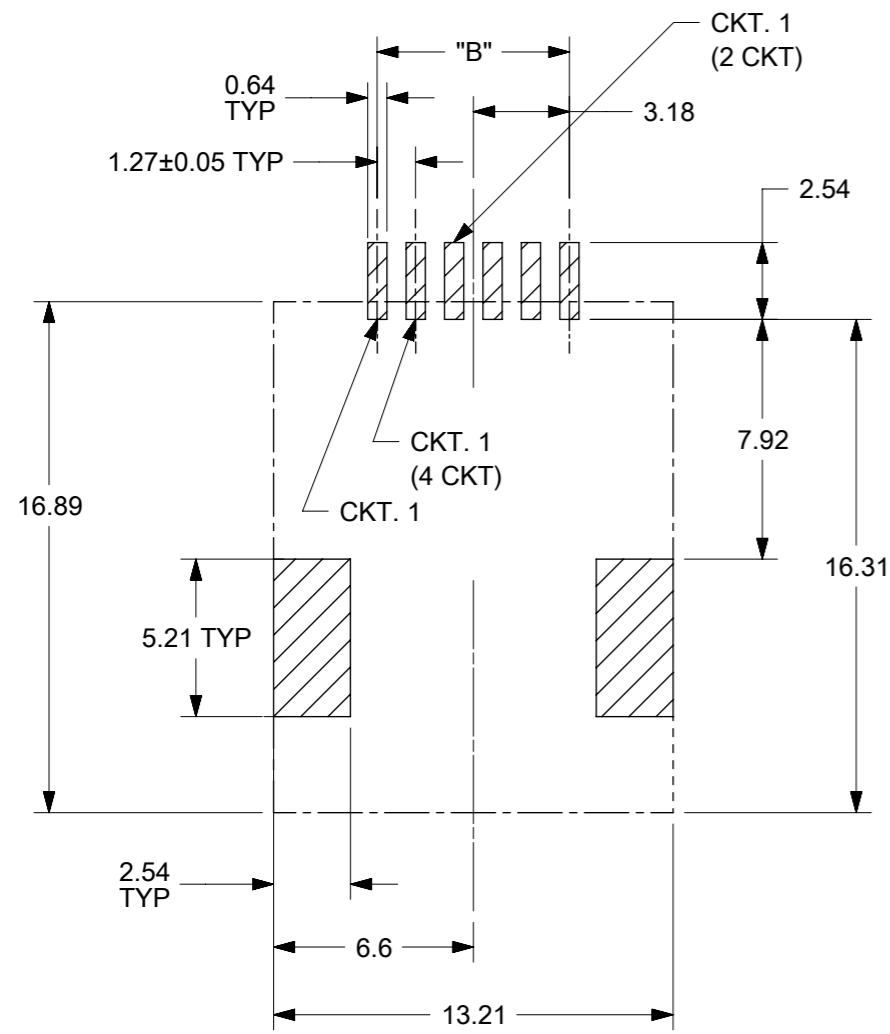
TAPE AND REEL PACKAGING

- NOTES :
- MATERIALS:
HOUSING: NYLON, GLASS-FILLED, UL94V-0; COLOR - SEE CHART
TERMINALS: PHOSPHOR BRONZE, 0.30 mm THICK
FITTING NAILS: BRASS ALLOY, 0.25 mm THICK
 - FINISH:
TERMINALS:
(A) SELECT GOLD IN CONTACT AREA: 0.00127 mm MIN.,
*SELECT MATTE TIN IN PC TAIL AREA: 0.00254 mm MIN.,
WITH OVERALL NICKEL UNDERPLATE: 0.00127 mm MIN.
(B) SELECT GOLD IN CONTACT AREA: 0.00076 mm MIN.,
*SELECT MATTE TIN IN PC TAIL AREA: 0.00254 mm MIN.,
WITH OVERALL NICKEL UNDERPLATE: 0.00127 mm MIN.
(C) SELECT GOLD IN CONTACT AREA: 0.00038 mm MIN.,
*SELECT MATTE TIN IN PC TAIL AREA: 0.00254 mm MIN.,
WITH OVERALL NICKEL UNDERPLATE: 0.00127 mm MIN.
FITTING NAILS:
*2.54 MICROMETER MATTE TIN OVER 1.27 MICROMETER NICKEL UNDERPLATE
*THE PRIMARY SHIPPING CARTON WILL BE LABELED "ELV AND RoHS COMPLIANT" CARTONS WITHOUT THIS LABEL MAY CONTAIN PRODUCT WITH TIN-LEAD IN THE PC TAIL AND/OR FITTING NAILS.
 - PRODUCT SPECIFICATION: PS-43743-0001
 - COPLANARITY SPECIFICATION:
WITH THE MODULAR JACK SITTING ON A LEVEL SURFACE, THE MAXIMUM GAP BETWEEN THE LEVEL SURFACE AND ALL TERMINAL TAILS AND BOTH FITTING NAILS IS 0.15 mm.
 - FOR ASSEMBLIES HAVING VOIDED CIRCUITS, THE TAIL PORTION IS CUT AND REMOVED. THE MATING PORTION OF THE TERMINAL REMAINS INTACT.
 - CONVECTION SOLDERING TECHNOLOGY SHOULD BE USED WHEN GANGING MODULAR JACKS WITH INBOARD NAILS SIDE-BY-SIDE.
 - THIS PART CONFORMS TO CLASS B REQUIREMENTS OF COSMETIC SPECIFICATION PS-45499-002.

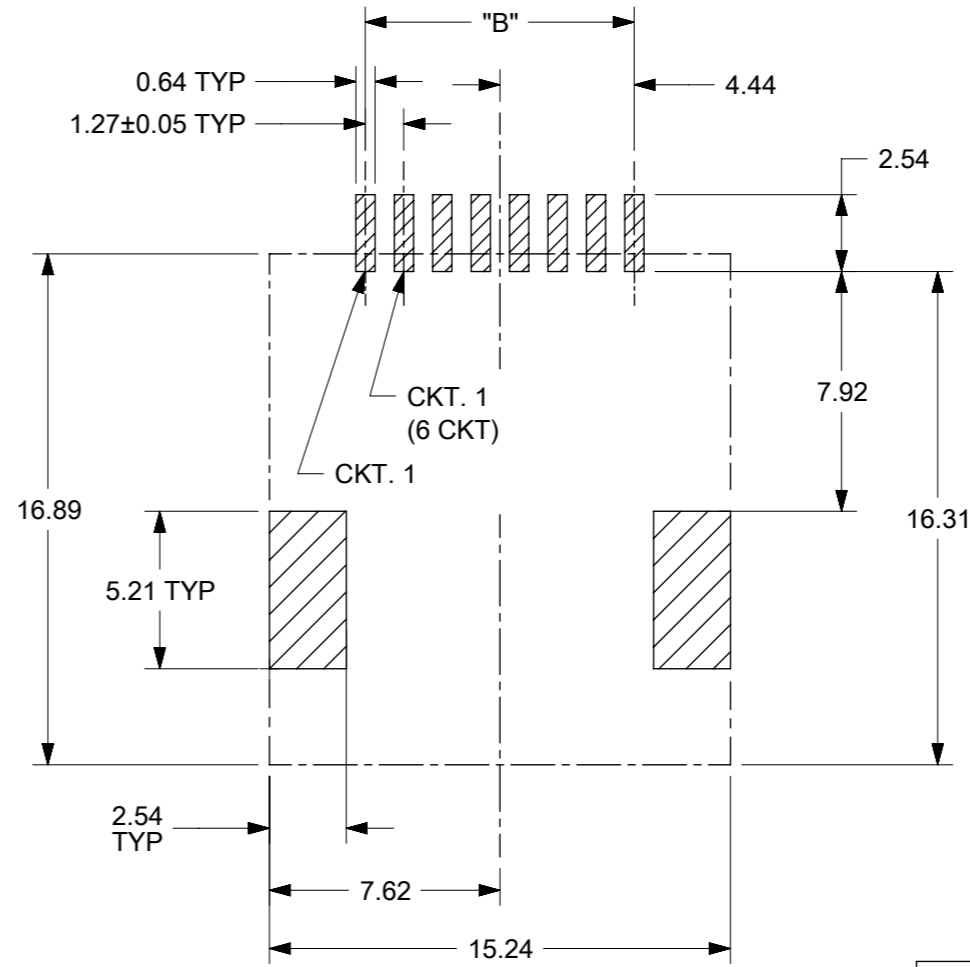
ASSEMBLY ITEM NO.	CONNECTOR SIZE	CIRCUIT SIZE	TERMINAL PLATING	TAPE & REEL PACKAGING No.	VOIDED CIRCUITS	HOUSING COLOR
44144-0003	8	8	A	PK-70873-7002	NA	BLACK
44144-0004	6	4	A	PK-70873-7001	NA	
44144-0005	6	6	A	PK-70873-7001	NA	

THIS DRAWING CONTAINS INFORMATION THAT IS PROPRIETARY TO MOLEX ELECTRONIC TECHNOLOGIES, LLC AND SHOULD NOT BE USED WITHOUT WRITTEN PERMISSION

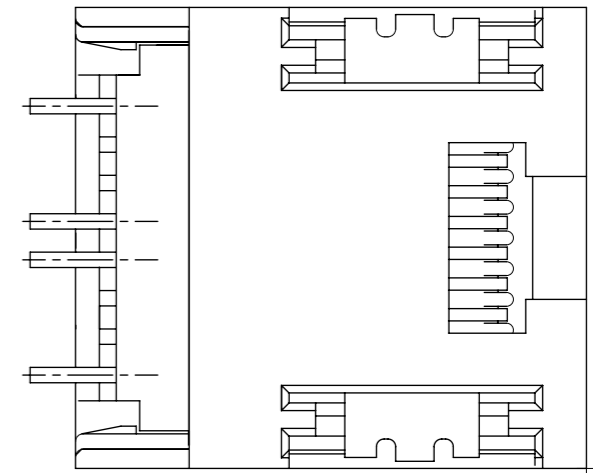
DIMENSION UNITS mm	SCALE 3:1	CURRENT REV DESC: REMOVED OBSOLETE PART NUMBER AS PER PCN#511684.		molex		
GENERAL TOLERANCES (UNLESS SPECIFIED)		EC NO: 748897				
ANGULAR TOL ± 0.5°	4 PLACES ±	DRWN: SANTHN	2023/05/09	PRODUCT CUSTOMER DRAWING		
3 PLACES ±	2 PLACES ± 0.25	CHK'D: GGA	2023/05/31	DOCUMENT NUMBER		
1 PLACE ± 0.38	0 PLACES ±	APPR: GGA	2023/05/31	SD-44144-001		
DRAFT WHERE APPLICABLE MUST REMAIN WITHIN DIMENSIONS	THIRD ANGLE PROJECTION	DRWING	SERIES	MATERIAL NUMBER	CUSTOMER	SHEET NUMBER
		A3-SIZE	44144	SEE CHART	GENERAL MARKET	1 OF 2



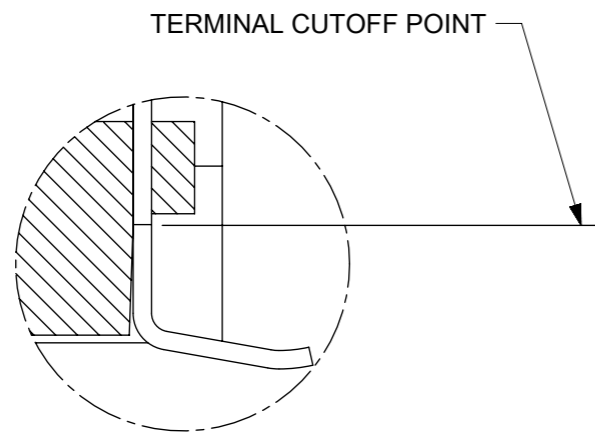
PCB LAYOUT FOR CONNECTOR SIZE 6
(COMPONENT SIDE OF BOARD)



PCB LAYOUT FOR CONNECTOR SIZE 8
(COMPONENT SIDE OF BOARD)

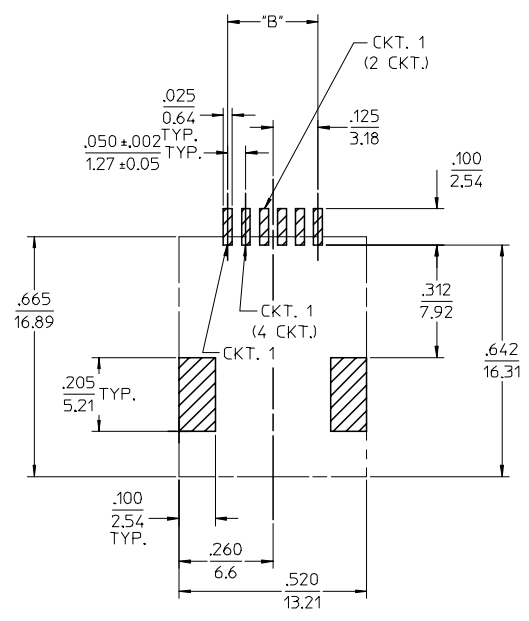


TYPICAL VIEW SHOWING VOIDED CIRCUIT
44144-0016 SHOWN

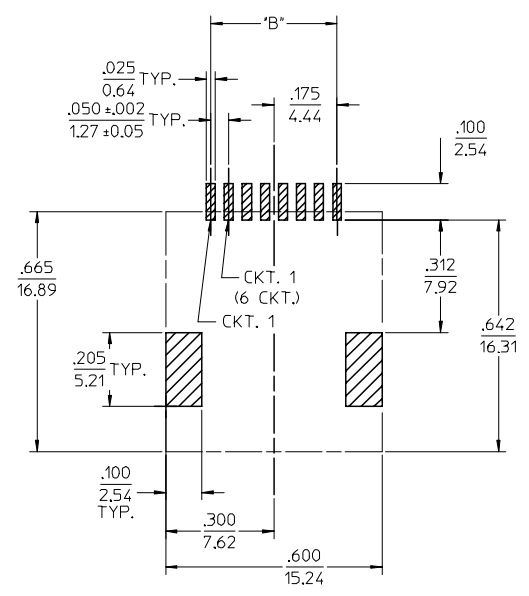


VIEW SHOWING TYPICAL TERMINAL
CUTOFF OF TAIL (SEE NOTE 5) FOR VOIDED CIRCUITS.

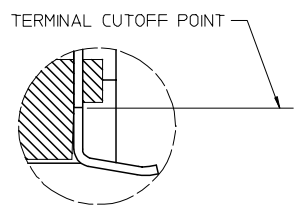
THIS DRAWING CONTAINS INFORMATION THAT IS PROPRIETARY TO MOLEX ELECTRONIC TECHNOLOGIES, LLC AND SHOULD NOT BE USED WITHOUT WRITTEN PERMISSION													
DIMENSION UNITS mm		SCALE 4:1		CURRENT REV DESC: REMOVED OBSOLETE PART NUMBER AS PER PCN#511684.									
GENERAL TOLERANCES (UNLESS SPECIFIED)				<p style="text-align: center;">molex</p> <p style="text-align: center;">4, 6, 8 CIRCUIT SMT MODULAR JACK W/ FLUSH FITTING NAILS</p> <p style="text-align: center;">PRODUCT CUSTOMER DRAWING</p>									
ANGULAR TOL ± 0.5°													
4 PLACES ±		EC NO: 748897								DRWN: SANTHN		2023/05/09	
3 PLACES ±		CHK'D: GGA								APPR: GGA		2023/05/31	
2 PLACES ± 0.25		INITIAL REVISION:								DRWN: AFENG02		2017/02/23	
1 PLACE ± 0.38		APPR: KLANG								APPR: KLANG		2017/02/27	
0 PLACES ±		DRAFT WHERE APPLICABLE MUST REMAIN WITHIN DIMENSIONS		THIRD ANGLE PROJECTION		DRAWING		SERIES					
DOCUMENT STATUS		P1		RELEASE DATE		2023/05/31		04:48:51					
SD-44144-001		PSD		001		H9		2 OF 2					



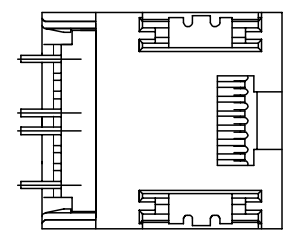
PCB LAYOUT FOR CONNECTOR SIZE 6
(COMPONENT SIDE OF BOARD)



PCB LAYOUT FOR CONNECTOR SIZE 8
(COMPONENT SIDE OF BOARD)



VIEW SHOWING TYPICAL TERMINAL
CUTOFF OF TAIL (SEE NOTE 5) FOR VOIDED CIRCUITS.



TYPICAL VIEW SHOWING VOIDED CIRCUIT
44144-0016 SHOWN

SEE SHEET ONE EC NO: UCP2004-0798 DRW:LSCHMIDT 2004/01/05 CHKD:LSCHMIDT 2004/01/05 APPR:FSMITH 2004/01/08	QUALITY SYMBOLS	GENERAL TOLERANCES (UNLESS SPECIFIED)	SCALE 4:1	DESIGN UNITS INCH	THIRD ANGLE PROJECTION	REVISE ON CAD ONLY	
	DESCRIPTION ▽ = 0 ▽ = 0	mm	INCH	DIMENSION STYLE IN/MM		TITLE	
		4 PLACES ± .005	± .005	DRAWN BY DSTAMBAU	DATE 00/04/07	4, 6, 8 CIRCUIT SMT MODULAR JACK W/ FLUSH FITTING NAILS	
		3 PLACES ± .010	± .010	CHECKED BY BWIRKUS	DATE 00/04/07	MOLEX INCORPORATED	
2 PLACES ± 0.25	± .015	APPROVED BY R EDGLEY	DATE 00/04/07	MATERIAL NO. SEE CHART	DOCUMENT NO. SD-44144-001	SHEET NO. 2 OF 2	
1 PLACE ± 0.38	± .015	DRAFT WHERE APPLICABLE MUST REMAIN WITHIN DIMENSIONS		THIS DRAWING CONTAINS INFORMATION THAT IS PROPRIETARY TO MOLEX INCORPORATED AND SHOULD NOT BE USED WITHOUT WRITTEN PERMISSION			