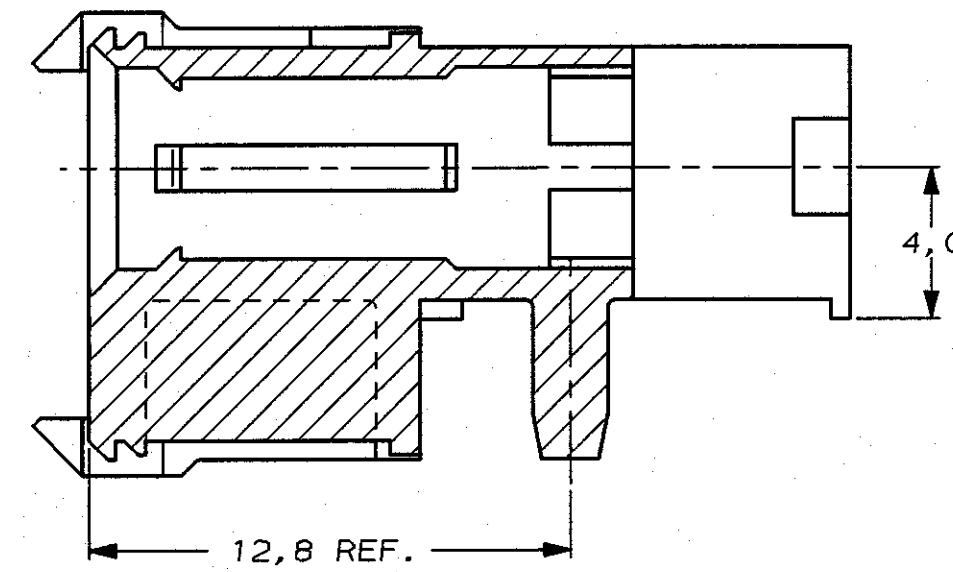
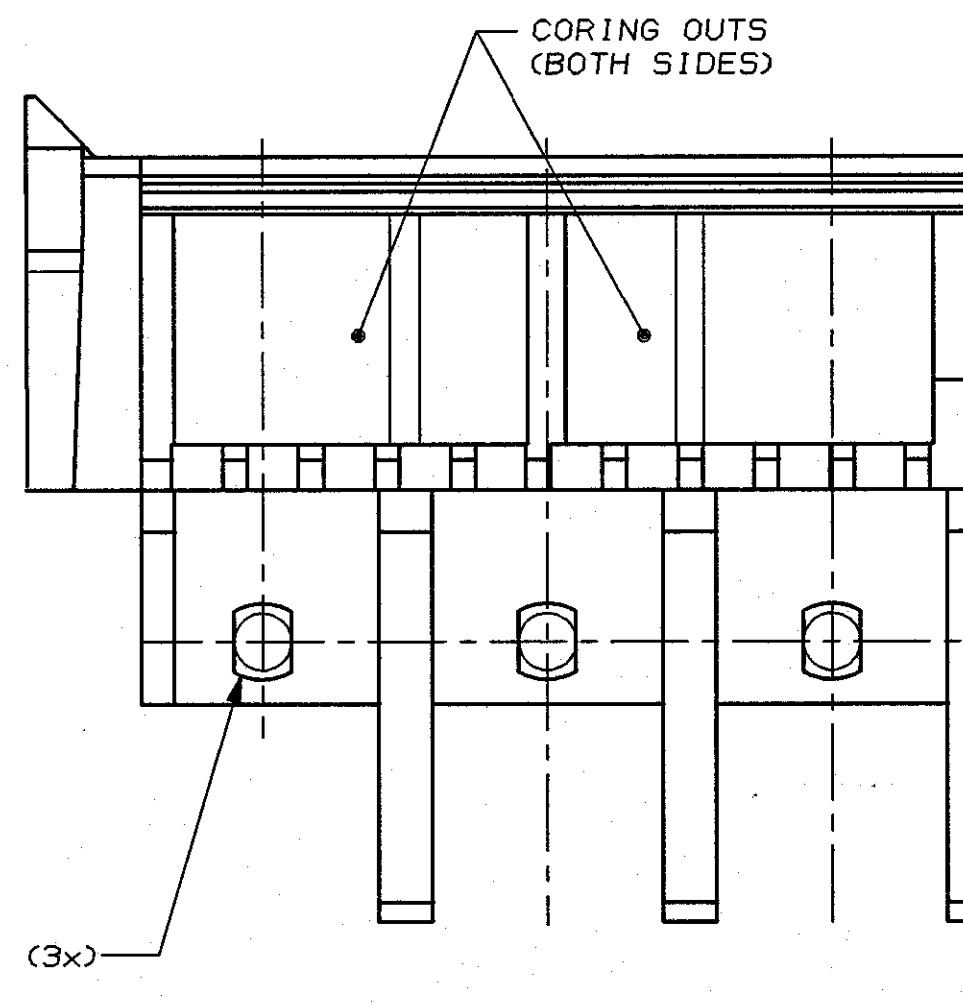
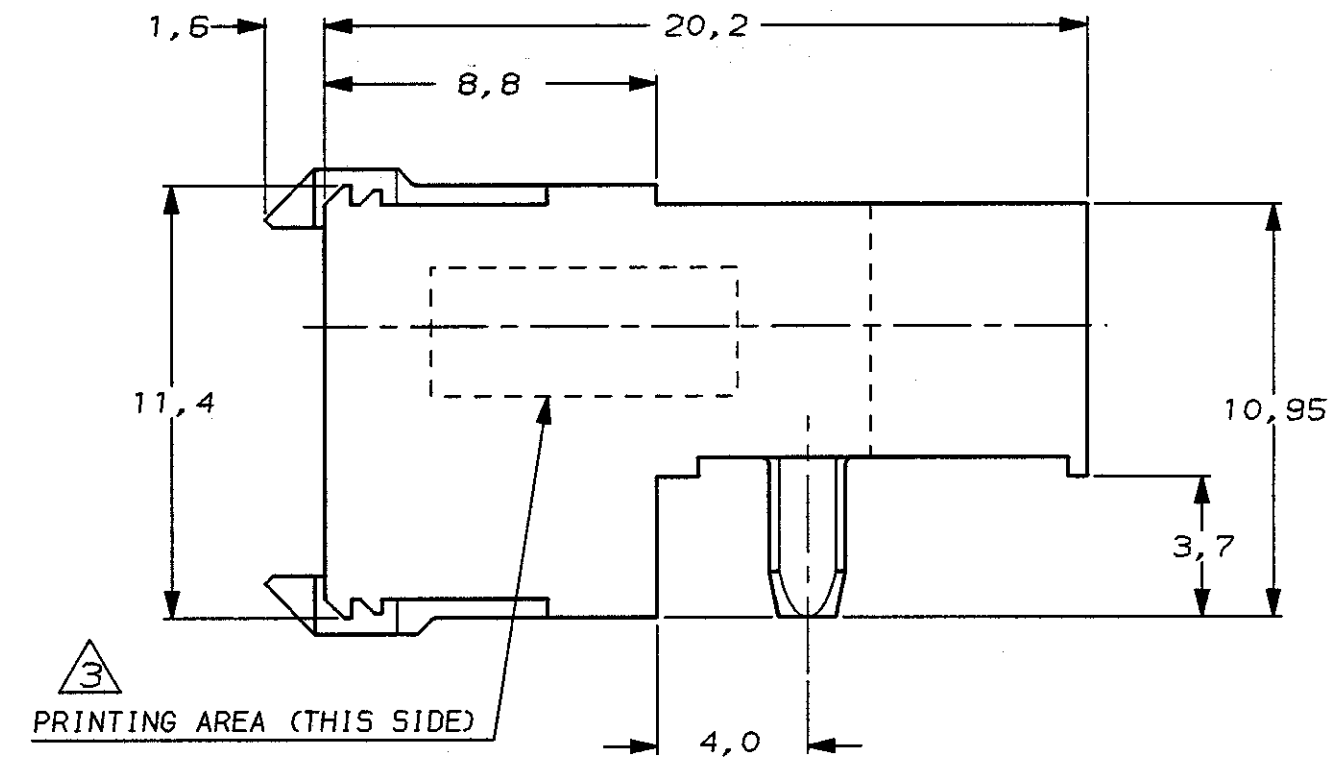
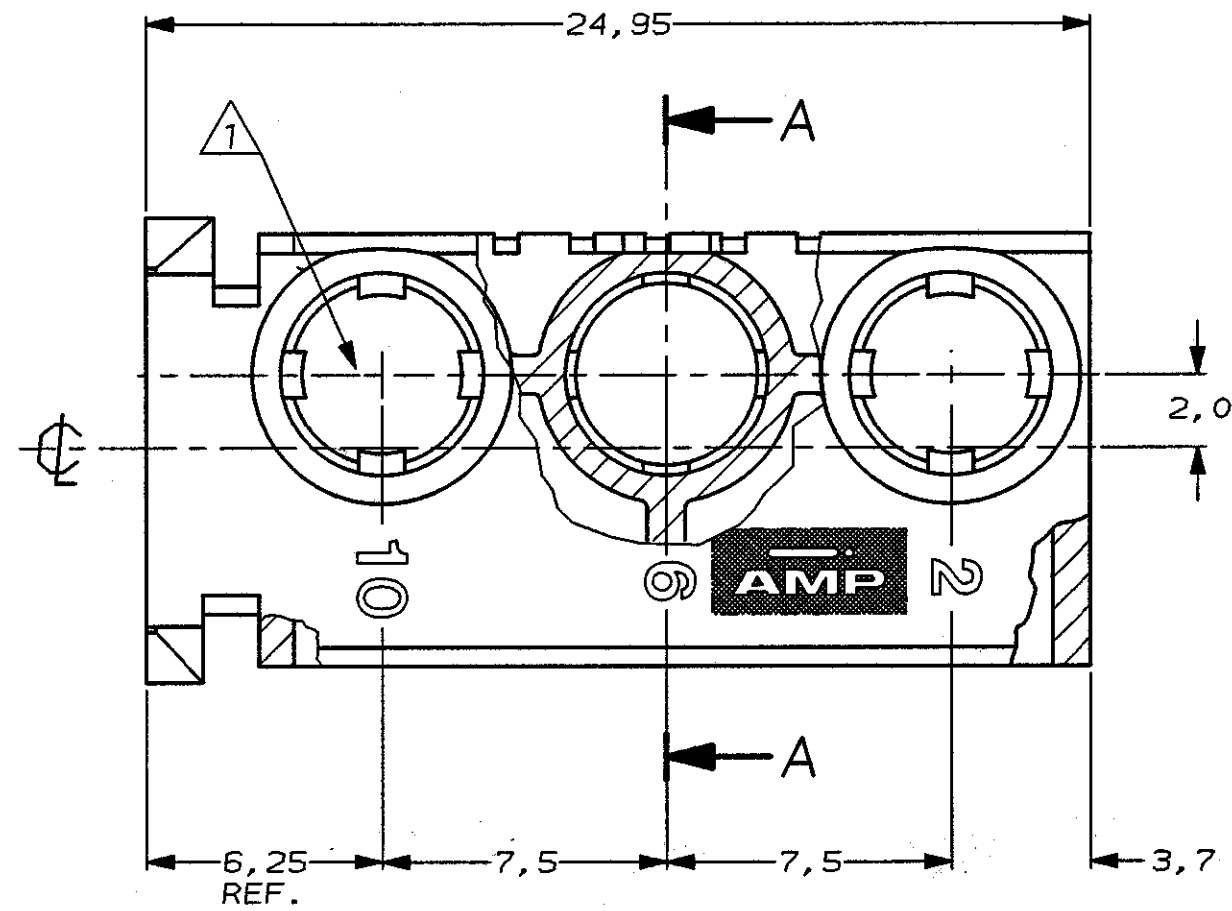


DO NOT SCALE  
DIMENSIONS IN mm

METRIC

THIRD ANGLE  
PROJECTION

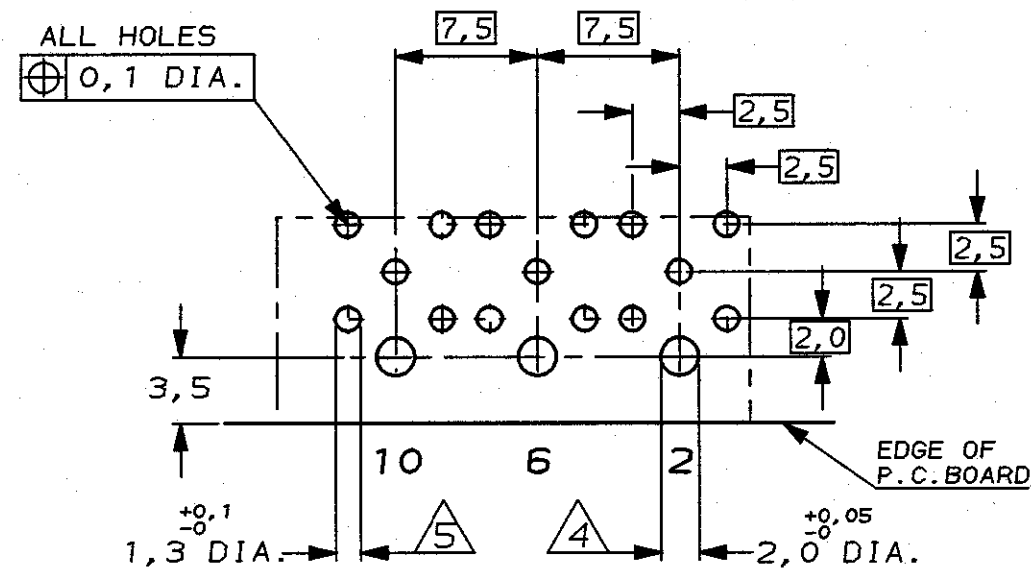


SECTION A-A

FIXING NIPPLE (3x)  
(PRESS FIT)

PRELIMINARY

- △ CONTACT CAVITIES SUITABLE FOR 4,8 DIA. HIGH CURRENT, HIGH FREQUENCY OR FIBRE OPTIC CONTACTS AS PER DIN 41626 (SEE ALSO NOTE 5).
- △ MATERIAL HOUSING : GREY GLASSFILLED POLYESTER.
- △ CONNECTOR PRINTED WITH PARTNUMBER AND DATECODE.
- △ NOT PLATED-THROUGH HOLES (3x).
- △ 1,3 DIA. PLATED-THROUGH HOLES (15x) CAN BE OMITTED IF SPECIAL CONTACTS WITH CABLE CONNECTION OR FIBRE OPTIC CONTACTS ARE USED.



RECOMMENDED PCB-HOLE LAY-OUT  
COMPONENT SIDE

		-		△		100752-1	
		FINISH		MATERIAL		PARTNUMBER	
		-		-		CUSTOMER DRAWING FOR REFERENCE ONLY WILL NOT BE UPDATED	
		-		-		© COPYRIGHT 1993 BY AMP HOLLAND B.V. ALL INTERNATIONAL RIGHTS RESERVED. AMP PRODUCTS MAY BE COVERED BY U.S. AND FOREIGN AND/OR PATENTS PENDING.	
		-		-		THIS DRAWING IS UNPUBLISHED RELEASED FOR PUBLICATION	
		-		-		AMP HOLLAND B.V. 's-Hertogenbosch, The Netherlands.	
B	EH-0720-95	E.D.	B.M.	29-06-95	NAME		
A	H-9585	B.M.	B.M.	01-10-93	Z-PACK 2mm HM		
LTR. REVISION RECORD				DR. CHK. DATE		TYPE N FEMALE CONNECTOR HOUSING	
DR.:	S. HEUWSEN	CHK.:	B. MOUJ	APP.:	L.V. SOEST	DWG. No.	C-100752
DATE:	17 MAR 92	DATE:	10 APR 1992	DATE:	13 APR 1992	REV. LTR.	B
						SHEET	1 of 1
							A2