

4G Cabled Antenna

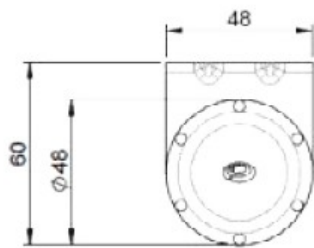
1.1. Material description

This antenna is an omni-directional broad band antenna for 4G/3G/2G eWON devices

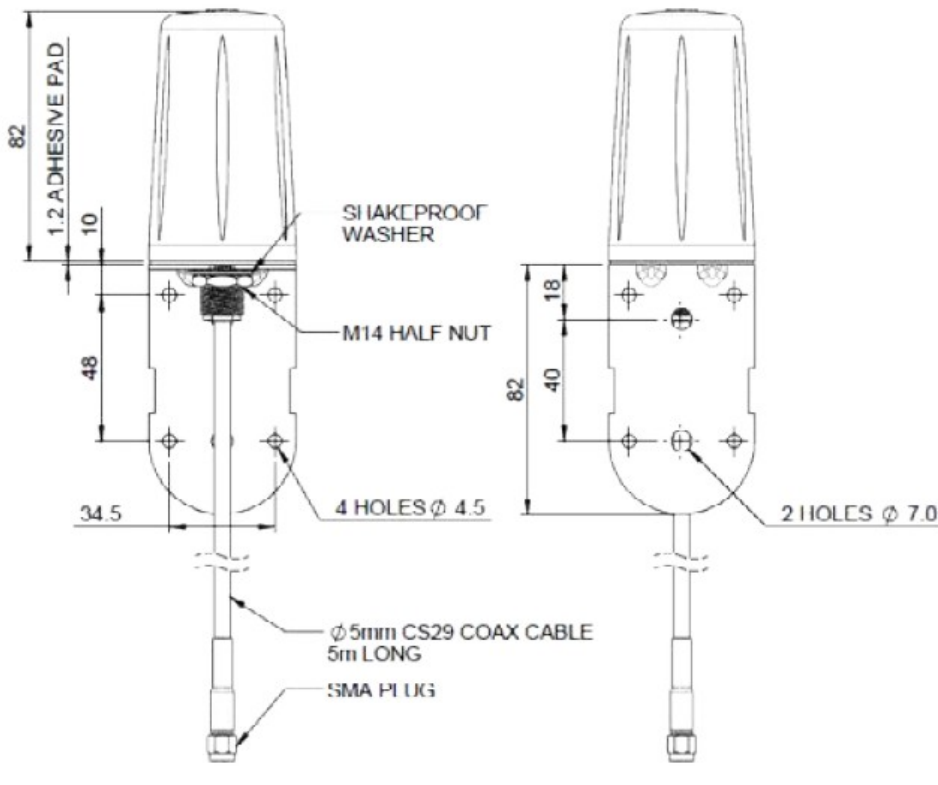
The design of the mounting bracket enables simple wall mounting using the supplied screws and wall plugs or mast mounting using a pipe clip or cable ties (not supplied).

The omni-directional radiation pattern allows easy placement of the antenna in an elevated position.

1.2. Technical Drawing



FREQUENCIES:
698 - 960 MHz
1710 2700 MHz



1.3. Specifications

Electrical Data	
Frequency Range (MHz)	698-960, 1710-2700
Operational Band	LTE 700 ; AMPS / GSM850 ; GSM900 ; GSM1800 ; PCS1900 ; 3G UMTS ; 2.4GHz WIFI ; 2.6GHz LTE
VSWR	< 2.5:1
Peak Gain: Isotropic	698-960MHz 2dBi
	1710-2700MHz 4dBi
Radiated Efficiency	> 70%
Pattern	Omni-directional
Polarisation	Vertical
Impedance	50Ω
Max Input Power (W)	60

Mechanical Data	
Dimensions (mm)	Height Mounted 164 (6.46")
	Diameter 48 (1.89")
Operating Temp (°C)	-40°/+80°C (-40°/176°F)
Material	ABS., Aluminium and Galvanised Steel
Colour	Black & Natural

Mounting Data	
Fixing	Wall mount or Mast mount
Mounting Bracket (mm)	Height 82 (3,2")
	Recommended Screw Fixings 4 (0,16")

Cable Data	
Type	CS29
Diameter	5 (1,9")
Length (m)	5 (16'4")
Termination	SMA plug

1.4. Part Number

Item	EWON P/N	Manufacturer	Manufacturer P/N
Antenna + Cable + Mounting Bracket	FAC90901_0100	Panorama Antennas	B4BE-7-27-5SP

1.5. References

All the above content is based on the Panorama Antennas documentation:
www.panorama-antennas.com



Revision

Revision History

Revision Level	Date	Description
1.0	10/05/17	Original document
1.1	04/12/17	CHANGED: title

Document build number: 9

Note concerning the warranty and the rights of ownership:

The information contained in this document is subject to modification without notice. Check <https://ewon.biz/support> for the latest documents releases.

The vendor and the authors of this manual are not liable for the errors it may contain, nor for their eventual consequences.

No liability or warranty, explicit or implicit, is made concerning the quality, the accuracy and the correctness of the information contained in this document. In no case can the manufacturer's responsibility be called for direct, indirect, accidental or other damage occurring from any defect of the product or mistakes coming from this document.

The product names are mentioned in this manual for information purposes only. The trade marks and the product names or marks contained in this document are the property of their respective owners.

This document contains materials protected by the International Copyright Laws. All reproduction rights are reserved. No part of this handbook can be reproduced, transmitted or copied in any way without written consent from the manufacturer and/or the authors of this handbook.

HMS Industrial Networks SA