

Bellows suction cups (round)

SFB1 40 NBR-ESD-55 G1/4-AG

Part no...:10.01.06.04798

<https://www.schmalz.com/10.01.06.04798>

Home > Vacuum Technology for Automation > Vacuum Components > Vacuum Suction Cups > Suction Cups for the Electronics Industry > Suction Cups SFF / SFB1 > SFB1 40 NBR-ESD-55 G1/4-AG

Bellows suction cup (round) for very uneven workpieces flexible workpieces



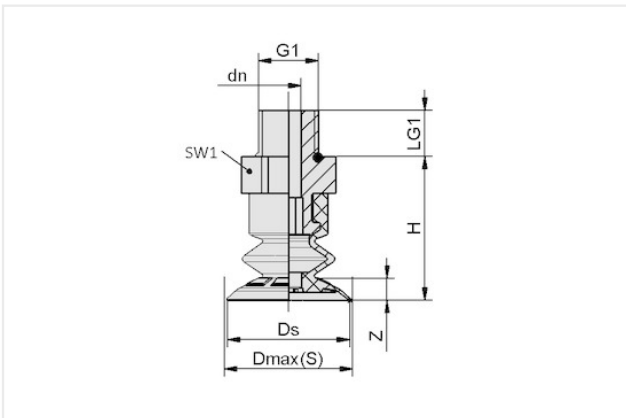
Size: 40

Suction cup material: Nitrile rubber NBR-ESD

Material hardness [Shore A]: 55 Shore A

Number of folds: 1.5

Design Data



Attribute	Value
G1	G1/4"-M
Dmax(S)	42 mm
Ds	40 mm
dn	4.10 mm
LG1	10 mm
H	35.70 mm
SW1	17 mm
Z (Stroke)	10 mm

Technical Data

Attribute	Value
Size	40
Suction cup material	Nitrile rubber NBR-ESD
Suction force (-600mbar)	8.80 N
Product family	SFB1
Volume	7.50 cm ³
Number of folds	1.50
Material hardness [Shore A]	55 Shore A

Contact Schmalz

Schmalz Inc. | 5850 Oak Forest Drive, Raleigh, NC 27616, United States | +1 (919) 713-0880 | schmalz.us@schmalz.com

Bellows suction cups (round)

SFB1 40 NBR-ESD-55 G1/4-AG

Part no...:10.01.06.04798

<https://www.schmalz.com/10.01.06.04798>

Spare parts



SFB1 40 NBR-ESD-55 SC050

Part no...:10.01.06.04786

Size: 40

Suction cup material: Nitrile rubber NBR-ESD

Material hardness [Shore A]: 55 Shore A

Number of folds: 1.5



SC 050 G1/4-AG SW410

Part no...:10.01.06.04347

Connection geometry: 050

Vacuum connection: G1/4"-M

Fitting length: 7.2 mm

Nominal diameter dn: 4.1 mm