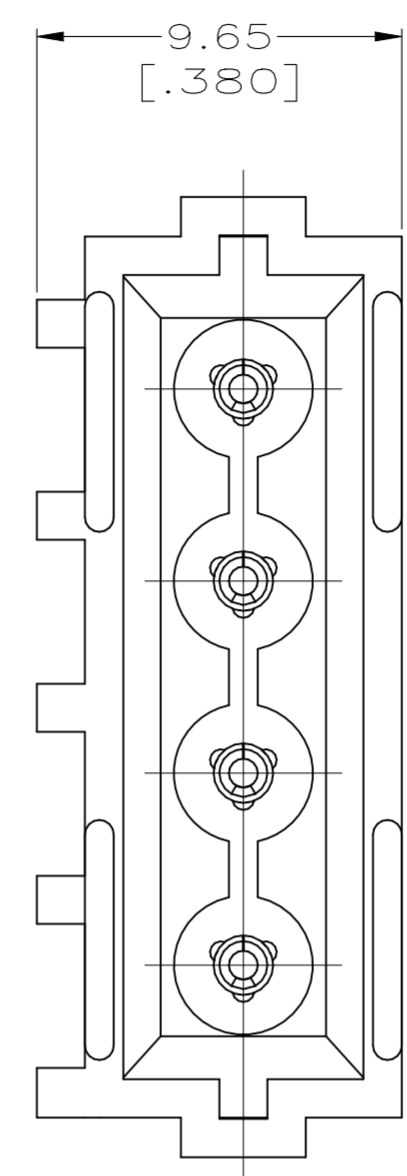
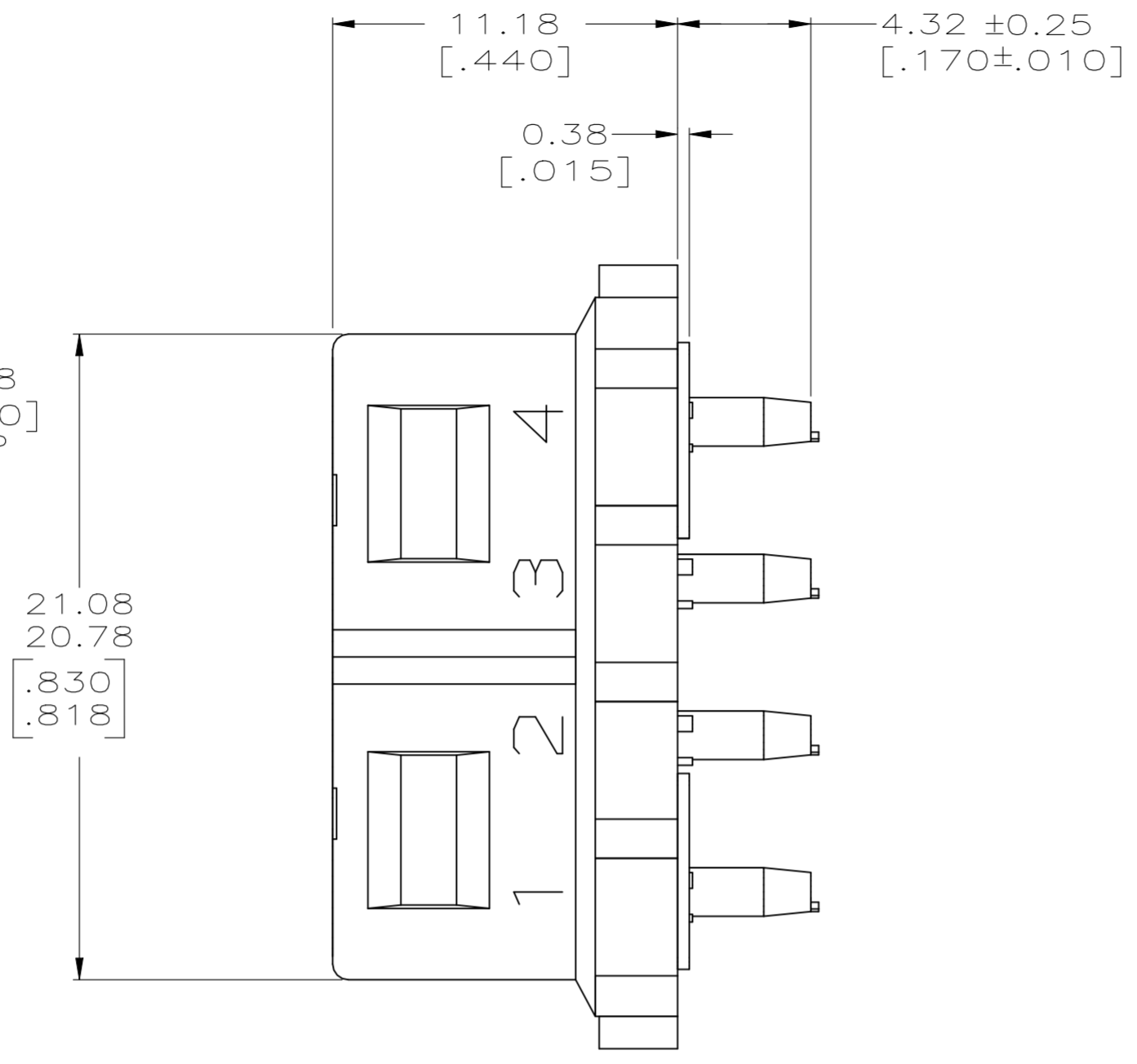
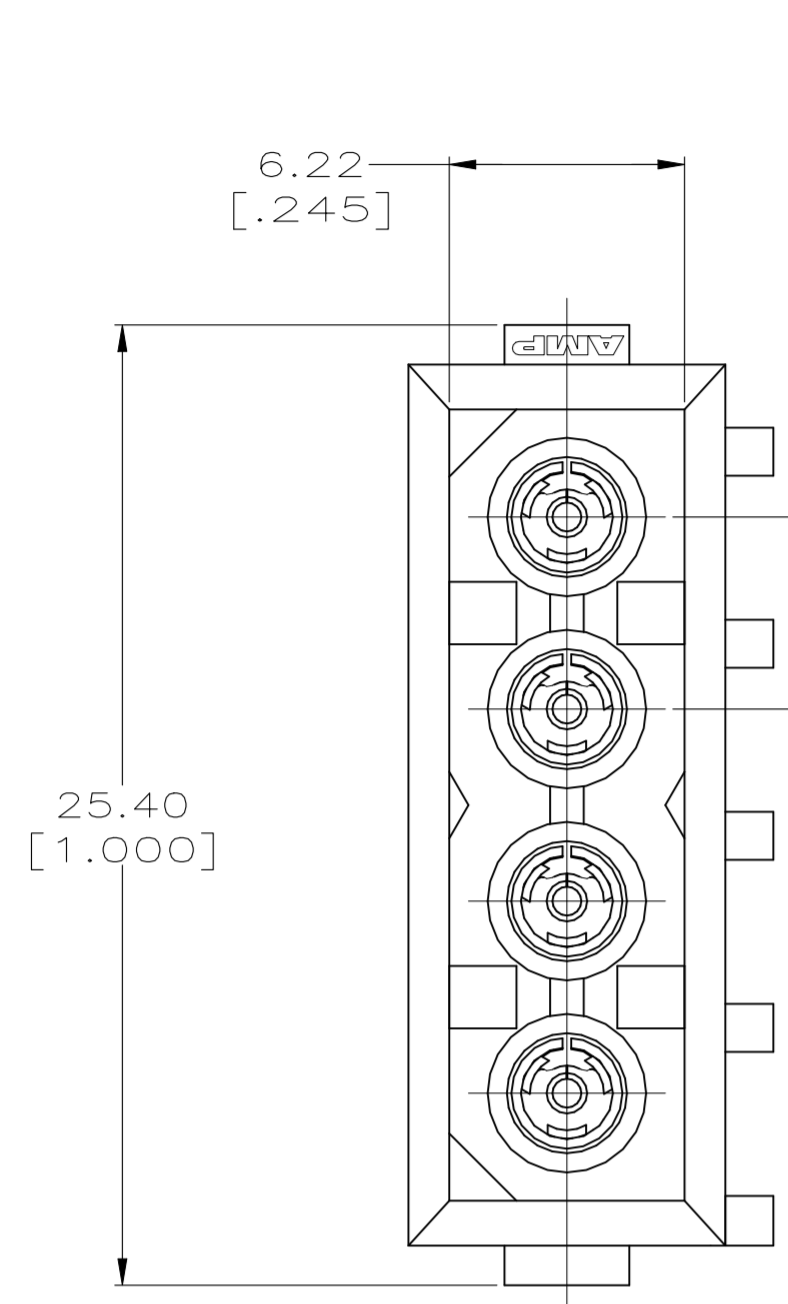
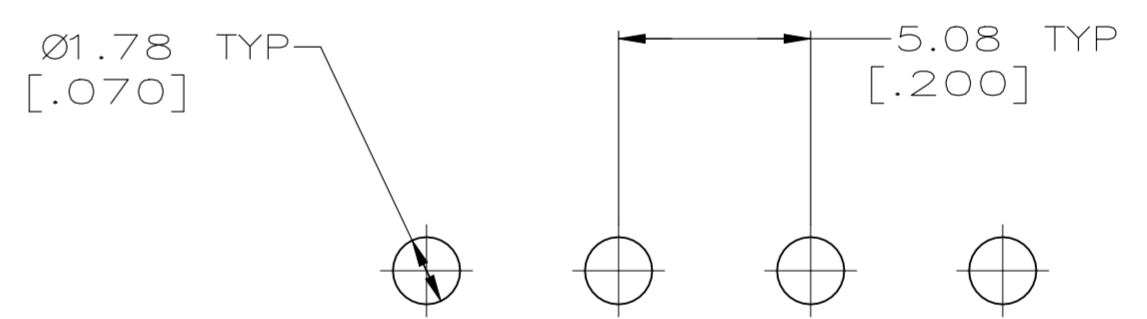
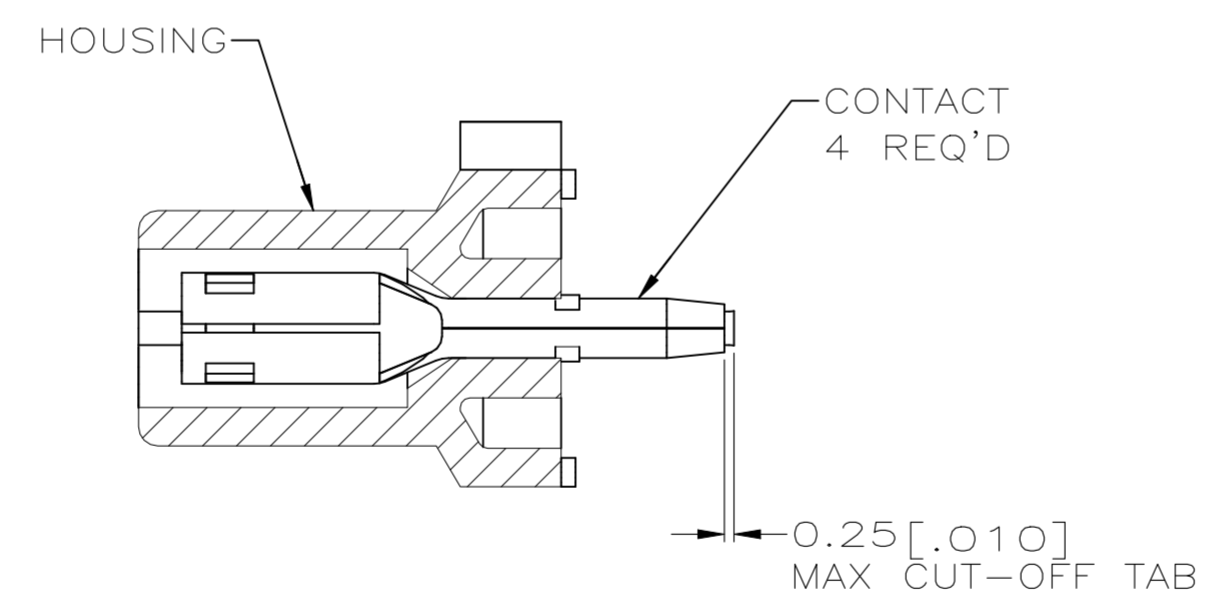


THIS DRAWING IS UNPUBLISHED. RELEASED FOR PUBLICATION
 © COPYRIGHT - By - ALL RIGHTS RESERVED.

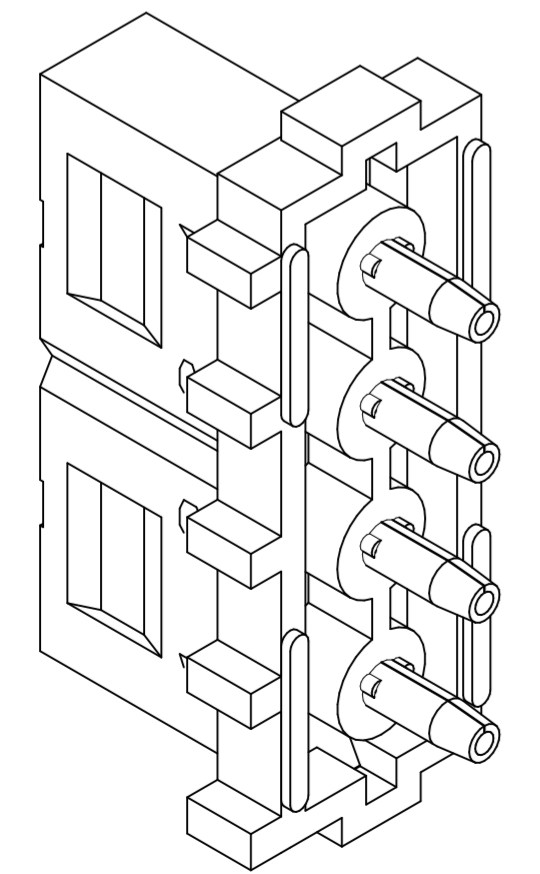
LOC	DIST	REVISIONS			
P	LTR	DESCRIPTION	DATE	DWN	APVD
CM	53				
	C2	REVISED PER ECR-21-117185	22OCT2021	PJ	VS



1. PARTS COMPLY WITH AMP SOLDERABILITY SPEC. 109-11-5.
2. DIMENSIONS IN BRACKETS ARE IN INCHES.
3. DIMENSION SHOWN REPRESENT PRODUCT IN DRY CONDITION. ADDITIONAL 2% GROWTH DUE TO END USE LOCATION MOISTURE ABSORPTION MAY OCCUR AND SHOULD BE ACCOUNTED FOR.

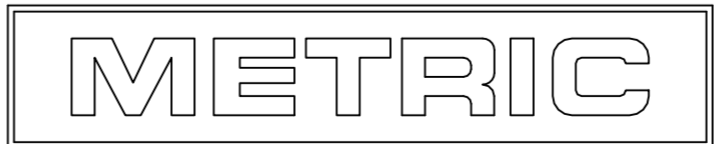


RECOMMENDED MOUNTING HOLE PATTERN FOR 1.57 [0.062] THICK P.C. BOARD



3-DIMENSIONAL MODEL NTS

0.251 [0.0099] THK PH BRZ, PRE-TIN CONTACT MATERIAL & FINISH	NYLON UL94V-2, NATURAL HOUSING MATERIAL & COLOR	770997-1 PART NO
---	--	---------------------



THIS DRAWING IS A CONTROLLED DOCUMENT FOR AMP INCORPORATED. IT IS SUBJECT TO CHANGE AND THE CONTROLLING ENGINEERING ORGANIZATION SHOULD BE CONTACTED FOR THE LATEST REVISION.

THIS DRAWING IS A CONTROLLED DOCUMENT.		DWN K. WHITAKER 8-25-92	TE Connectivity
DIMENSIONS: MM [INCHES]		CHK R. SWING 8-25-92	
TOLERANCES UNLESS OTHERWISE SPECIFIED:		APVD G. BROWN 8-26-92	
0 PLC ± - 1 PLC ± - 2 PLC ± - 3 PLC ± 0.13 [0.005] 4 PLC ± - ANGLES ± 0°30'		NAME SOCKET HEADER ASSEMBLY, 4 CIRCUIT, COMMERCIAL MATE-N-LOK	
MATERIAL SEE TABLE	FINISH SEE TABLE	APPLICATION SPEC -	SIZE A2
CUSTOMER DRAWING		WEIGHT -	CAGE CODE 00779
		SCALE 5:1	DRAWING NO C=770997
		SHEET 1 of 1	RESTRICTED TO -
		REV C2	

770997