


10152000	<b>DATA SHEET</b>	
Valid from: 01.04.2022	<b>EPIC® H-B 48 AD</b>	

## Description

- The large, robust housing for two inserts in one connector
- Power and data in one connector



## General Characteristics

Series	H-B 48
Version	Panel mount base with cover
Locking	Single lever
Protection (DIN EN 60529)	IP 65 (latched with hood)
Temperature Range	-40°C to +100°C, short term up to +125°C

## Materials / Surfaces

Housing	Aluminium alloy, powder-coated, grey
Locking	Steel, zinc-plated
Sealing	NBR
Cover	PA


## Standard

Safety Standard	IEC 61984
-----------------	-----------

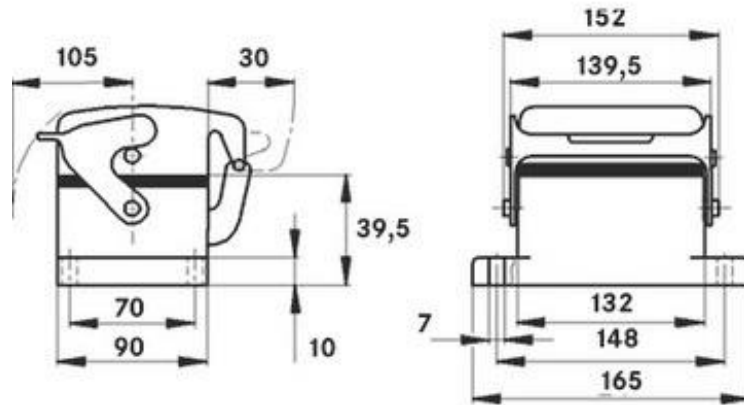
## Versions

Article number	Article description
10152000	EPIC® H-B 48 AD

Creator: BEGE1/PDP Released: IVSE1/PDP	Document: DB10152000EN Version: 00	Page 1 of 2
---	---------------------------------------	-------------

10152000	<b>DATA SHEET</b>	
Valid from: 01.04.2022	<b>EPIC® H-B 48 AD</b>	

## Technical Drawings



Industrial machinery and plant engineering



Mechanical resistance



Robust



Waterproof

## Application range

Plant engineering, Plastics industry

## Remark

Photographs are not to scale and do not represent detailed images of the respective products.

Creator: BEGE1/PDP Released: IVSE1/PDP	Document: DB10152000EN Version: 00	Page 2 of 2
---	---------------------------------------	-------------