

4

3

2

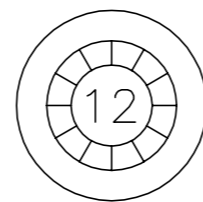
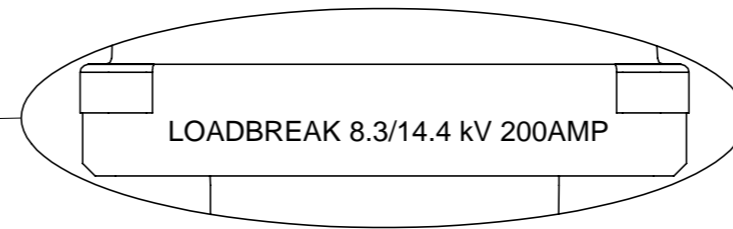
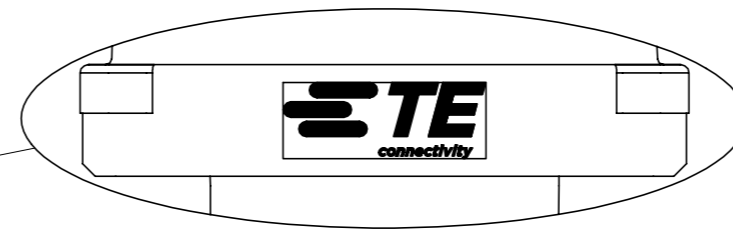
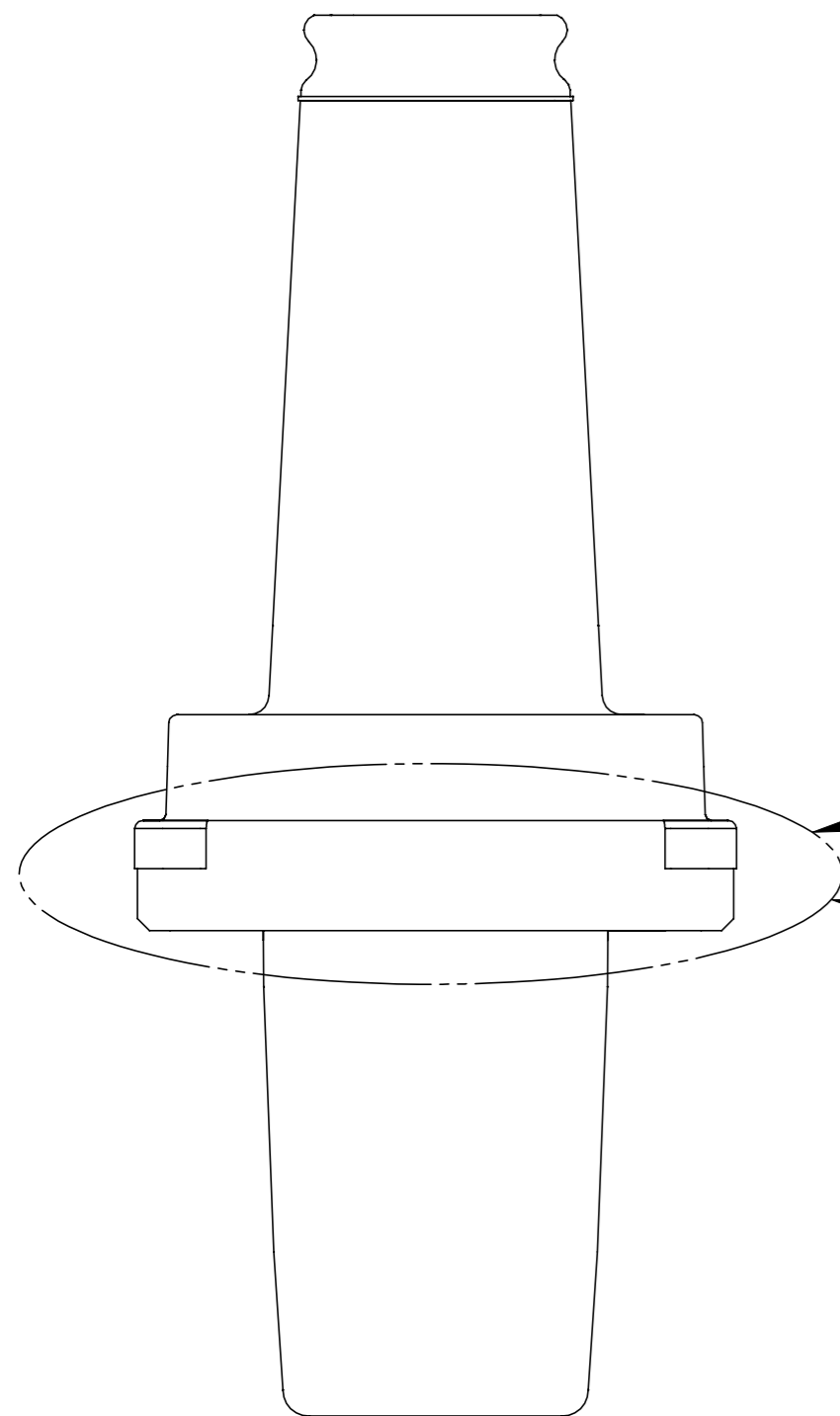
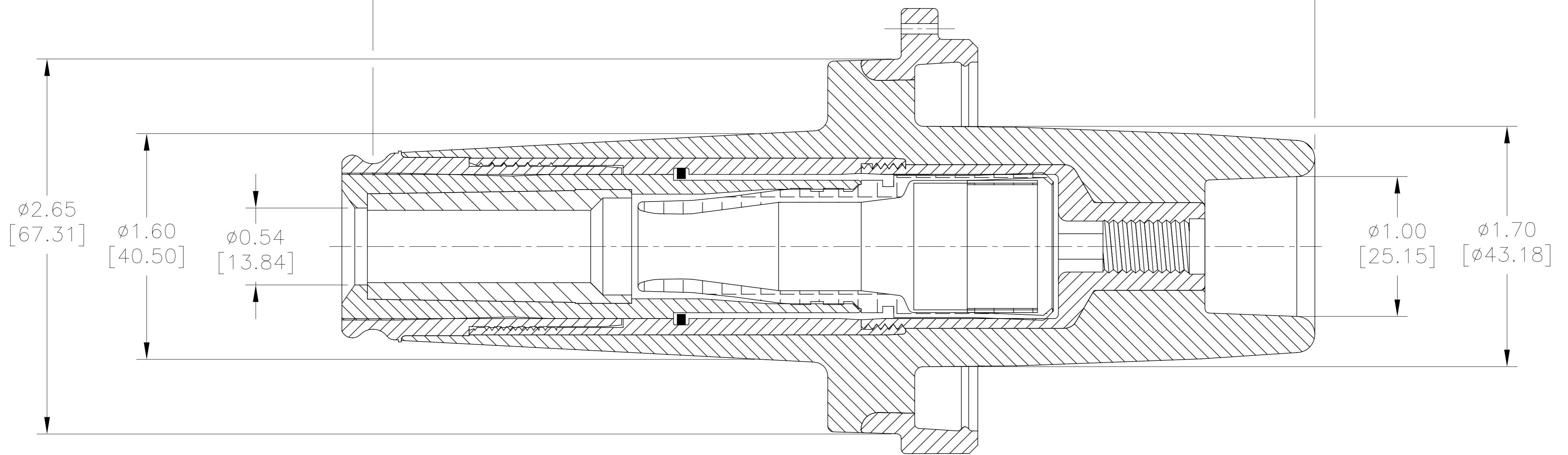
1

© - TE Connectivity. All Rights Reserved.

EE5631-000	ELB-15-200-BI
RPN	DESCRIPTION

REVISIONS					
P	LTR	DESCRIPTION	DATE	DWN	APVD
	B	NEW DRAWING	15JUL2020	KR	EDW

6.67 [169.27] REF



DWN	15JUL2020	TE Connectivity Ltd.			
CHK	15JUL2020				
APVD	15JUL2020				
RAGHAVENDRA K. WILSON, DAVID E. YAO, WENTAO		NAME	15KV 200A, BUSHING INSERT		
PRODUCT SPEC					
APPLICATION SPEC					
WEIGHT		SIZE	CAGE CODE	DRAWING NO	RESTRICTED TO
CUSTOMER DRAWING		A2	00779	C=NC-P5002	-
		SCALE	SHEET	REV	
		NTS	1 of 1	B	

DIMENSIONS:
INCHES [mm]