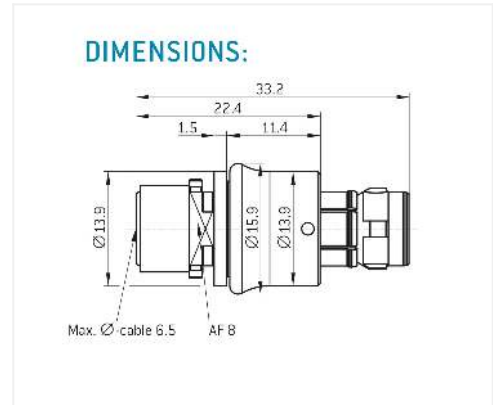
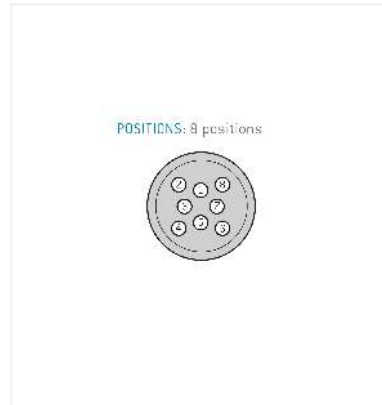
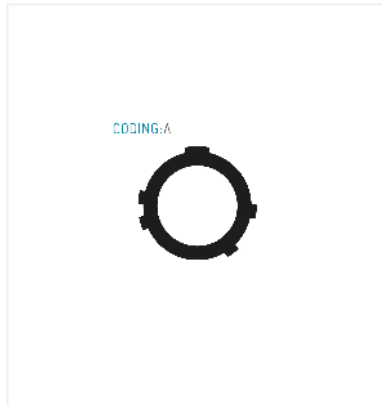


S11YAR-PD8XCDO-0000  
**amc, type\_s1**



**General information**

Part number	S11YAR-PD8XCDO-0000
Termination	solder
Size	1
Locking principle	push
Coding	a_key_amc
Cable Diameter	cable_amc_1
Cable outlet	overmolding



**Contact insert description**

Number of contacts	8
Contact type	pins
Contact diameter	05mm
Insulator material	peek
Wire cross section	26_awg
Termination	solder
Termination diameter	065mm
Data transmission	ethernet_1

reverse\_gender\_on\_request

**Connection diagram**

con\_ethernet\_10

**Technical information**

Nominal current single contact	05_a	iec_60512_5_2
Nominal current insert	3,25 A	vde_0298_4
Test voltage	1_kv_ac	eia_364_20f

safety\_text

**Mechanical and environmental data**

Degree of protection*	ipsk8_ip6k9k
Operating temperature	51_125_c
Mating cycles	5000

mated

## Material and surface treatments

<b>Housing</b>	ruthenium
<b>Contact</b>	cu_alloy_gold

data\_text

safety\_text\_2  
data\_text  
ul\_text  
illustrative\_text