

CHARACTERISTICS

MATERIALS

HOUSING : ABS+PC
 HOUSING COLOR : GREY
 COLLET NUT : ABS+PC
 CONTACTS : COPPER ALLOY
 CONTACT PLATING : 7µ" GOLD PLATED OVER 196µ" NICKEL MIN.
 INSULATOR : PPS (HIGH TEMPERATURE)

MECHANICAL

DURABILITY: 2000 CYCLES
 OPERATING TEMP. RANGE: -20° C ~ +120° C
 PROCESS TEMPERATURE : 260°C FOR 5 SECONDS
 MAX. TORQUE VALUE: 0.5 Nm [4.4 IN/LBS]

IP RATING: 50

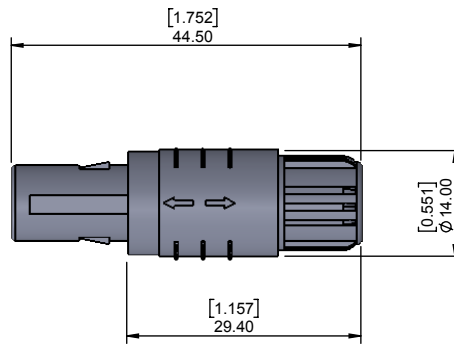


CHART B

COLLET SIZE	WIRE DIAMETER
42	2.20 [0.087] ~ 4.00 [0.157]
52	4.00 [0.157] ~ 5.00 [0.197]
62	5.00 [0.197] ~ 6.00 [0.236]

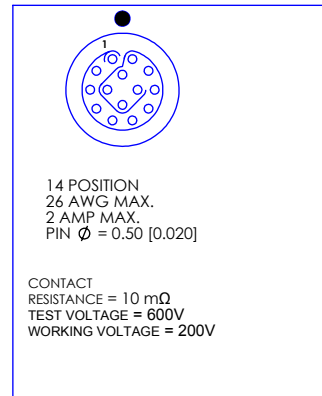


CHART A

● = KEY LOCATION

VIEW FROM TERMINATION END

 2 POSITION 22 AWG MAX. 10 AMP MAX. PIN Ø = 1.30 [0.051] CONTACT RESISTANCE = 5 mΩ TEST VOLTAGE = 1200V WORKING VOLTAGE = 400V	 3 POSITION 22 AWG MAX. 10 AMP MAX. PIN Ø = 1.30 [0.051] CONTACT RESISTANCE = 5 mΩ TEST VOLTAGE = 1200V WORKING VOLTAGE = 400V	 4 POSITION 22 AWG MAX. 8 AMP MAX. PIN Ø = 0.90 [0.035] CONTACT RESISTANCE = 6 mΩ TEST VOLTAGE = 1200V WORKING VOLTAGE = 400V	 5 POSITION 22 AWG MAX. 7 AMP MAX. PIN Ø = 0.90 [0.035] CONTACT RESISTANCE = 6 mΩ TEST VOLTAGE = 1050V WORKING VOLTAGE = 350V	 6 POSITION 24 AWG MAX. 6 AMP MAX. PIN Ø = 0.70 [0.028] CONTACT RESISTANCE = 7.5 mΩ TEST VOLTAGE = 1050V WORKING VOLTAGE = 350V	 7 POSITION 24 AWG MAX. 5 AMP MAX. PIN Ø = 0.70 [0.028] CONTACT RESISTANCE = 7.5 mΩ TEST VOLTAGE = 1050V WORKING VOLTAGE = 350V	 8 POSITION 24 AWG MAX. 5 AMP MAX. PIN Ø = 0.70 [0.028] CONTACT RESISTANCE = 7.5 mΩ TEST VOLTAGE = 1050V WORKING VOLTAGE = 350V	 9 POSITION 26 AWG MAX. 3 AMP MAX. PIN Ø = 0.50 [0.020] CONTACT RESISTANCE = 10 mΩ TEST VOLTAGE = 850V WORKING VOLTAGE = 280V	 10 POSITION 26 AWG MAX. 3 AMP MAX. PIN Ø = 0.50 [0.020] CONTACT RESISTANCE = 10 mΩ TEST VOLTAGE = 850V WORKING VOLTAGE = 280V
---	---	--	--	--	--	--	--	---

RoHS COMPLIANT



THESE DRAWINGS AND SPECIFICATIONS ARE THE PROPERTY OF NorComp AND SHALL NOT BE REPRODUCED, COPIED OR USED AS THE BASIS FOR THE MANUFACTURE OR SALE OF APPARATUS WITHOUT WRITTEN PERMISSION.

NorComp

DRAWN: M. SIGMON	DATE: 08-01-16	SCALE: N.T.S.	SHEET 1 OF 1	REV: 2
DWG NO. 8P1PYYY17NYLYY1				