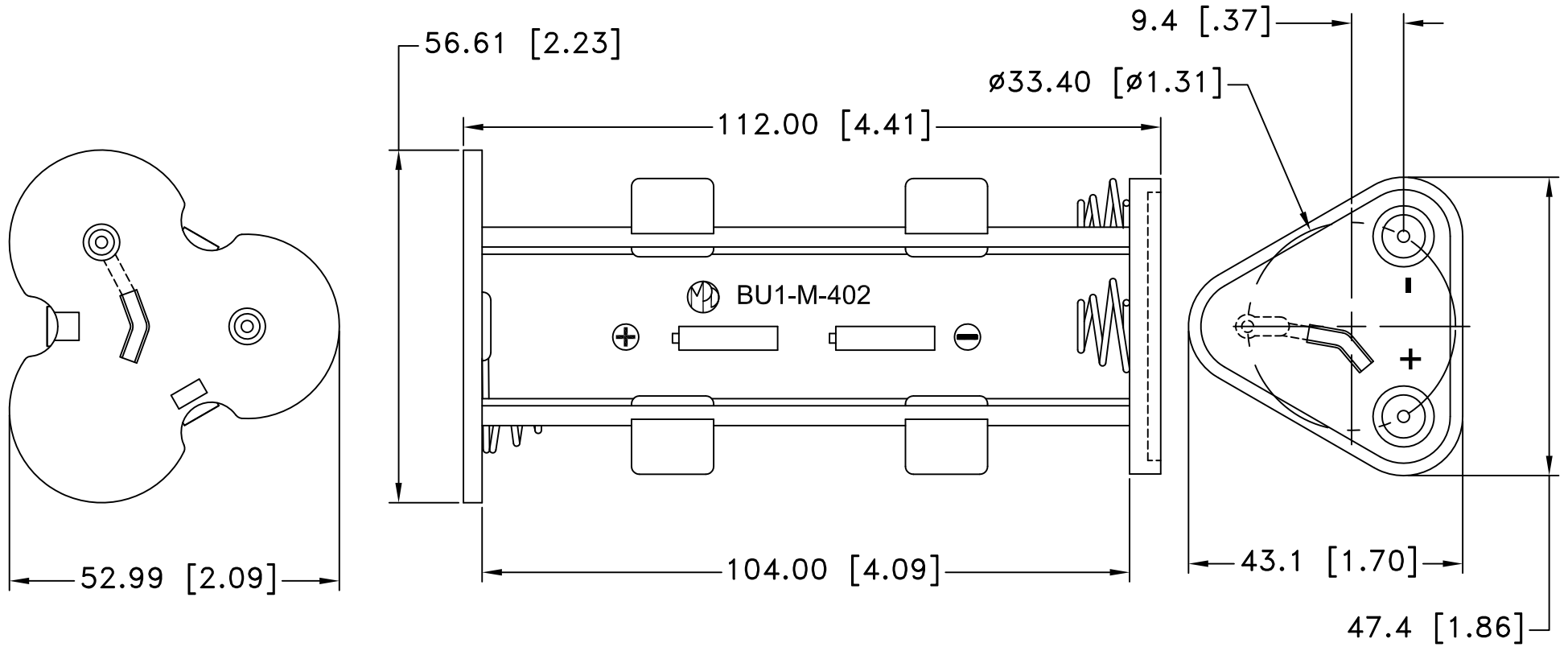



Date	SYM	REVISION RECORD	AUTH	DR.	CK.
10/28/06	A	Added UL file #, flammability rating, Added "ROHS COMPLIANT"	T.B.	B.S.	
8/06/14	B	Updated to ROHS 2 Compliant	T.B.	B.S.	



NOTES:

1. HOUSING: POLYPROPYLENE WITH 10% TALC.
2. FLAMMABILITY RATING: UL94-HB, UL FILE NO. E108370
3. LUGS: BRASS, NICKLE PLTD.
4. BUMP PLATES: MILD STEEL G3141 NICKLE PLTD.
5. EYELETS: BRASS, NICKLE PLTD.
6. SPRINGS: HARD DRAWN STEEL WIRE JIS G 3521 NICKLE PLTD.
7. ROHS 2 COMPLIANT

Tolerance (Except as noted)	 <b>Memory Protection Devices, Inc</b> 200 Broad Hollow Road, Farmingdale, New York 11735	Scale	Drawn By B.S.
			Approved By T.B.
decimal ±.5 (.020)	Title SIX "C" SIZE CELL BATTERY HOLDER		
Fractional ± .8 (.030)		Date 8/06/14	Drawing Number BU1-M-402
Angular ± 3°			