

**Harvatek Surface Mount Reflective Interrupter Data Sheet  
T4642PTIRM3B000351U1930**

Official Product	HT Part No. T4642PTIRM3B000351U1930	Customer Part No.	Data Sheet No.
Tentative Product	*****	*****	-
Specifications are subject to changes for improvement without advance notice. Proprietary data, drawings, company confidential all rights reserved.		11/25/2022	1.3 Page 1/17

**DISCLAIMER..... 3**

**LIFE SUPPORT POLICY.....3**

**PRODUCT SPECIFICATIONS ..... 4**

**ATTENTION: ELECTROSTATIC DISCHARGE (ESD) PROTECTION .....4**

**LABEL SPECIFICATIONS ..... 5**

**ELECTRO-OPTICAL CHARACTERISTICS..... 7**

**PACKAGE OUTLINE DIMENSION AND RECOMMENDED SOLDERING PATTERN FOR REFLOW**

**SOLDERING.....9**

**CHARACTERISTICS OF T4642PTIR.....**

**PACKAGING ..... 13**

**TAPE DIMENSION .....13**

**REEL DIMENSION.....14**

**PACKING.....14**

**DRY PACK.....15**

**BAKING .....15**

**PRECAUTIONS .....15**

**REFLOW SOLDERING..... 16**

**REWORKING.....16**

**CLEANING.....16**

**CAUTIONS OF PICK AND PLACE .....17**

**REVISE HISTORY.....17**

Official Product	HT Part No. T4642PTIRM3B000351U1930	Customer Part No.	Data Sheet No.	
Tentative Product	*****	*****	-	
Specifications are subject to changes for improvement without advance notice. Proprietary data, drawings, company confidential all rights reserved.		11/25/2022	1.3	Page 2/17

## DISCLAIMER

HARVATEK reserves the right to make changes without further notice to any products herein to improve reliability, function or design. HARVATEK does not assume any liability arising out of the application or use of any product or circuit described herein; neither does it convey any license under its patent rights, nor the rights of others.

## Life Support Policy

HARVATEK's products are not authorized for use as critical components in life support devices or systems without the express written approval of the President of HARVATEK or HARVATEK INTERNATIONAL. As used herein:

1. Life support devices or systems are devices or systems which, (a) are intended for surgical implant into the body, or (b) support or sustain life, and (c) whose failure to perform when properly used in accordance with instructions for use provided in the labeling, can be reasonably expected to result in a significant injury of the user.
2. A critical component in any component of a life support device or system whose failure to perform can be reasonably expected to cause the failure of the life support device or system, or to affect its safety or effectiveness.

Official Product	HT Part No. T4642PTIRM3B000351U1930	Customer Part No.	Data Sheet No.
Tentative Product	*****	*****	-
Specifications are subject to changes for improvement without advance notice. Proprietary data, drawings, company confidential all rights reserved.		11/25/2022	1.3 Page 3/17

## Product Specifications

Item	Specification	Material	Quantity
Detector Spectral Bandwidth $\lambda_D$	700nm~1100nm @ $V_{CE}=5V / T_S = 25^\circ C$ Tolerance: $\pm 10\%$		
Emitter Peak Wavelength $\lambda_P$	Typ: 940nm @10 mA / $T_S = 25^\circ C$		
Collector Light Current $I_C$	0.18~0.40 mA, Tolerance: $\pm 10\%$ @ $V_{CE}=5V , I_F=10mA , d=1 \text{ mm}$		
Resin	Black	Silicone	
Carrier tape	EIA 481-1A specs	Conductive black tape	
Reel	EIA 481-1A specs	Conductive black	
Label	HT standard	Paper	
Packing bag	250x230mm	Aluminum laminated bag/ no-zipper	One reel per bag
Carton	HT standard	Paper	Non-specified

**Others:**

Each immediate box consists of 5 reels. The 5 reels may not necessarily have the same lot number or the same bin combinations of  $I_V$ , CIE and  $V_f$ . Each reel has a label identifying its specification; the immediate box consists of a product label as well.

Note :This is shipped test conditions

※Remarks: This product should be operated in forward bias. If a reverse voltage is continuously applied to the product, such operation can cause migration resulting in LED damage.

**ATTENTION: Electrostatic Discharge (ESD) protection**



The symbol to the left denotes that ESD precaution is needed. ESD protection for GaP and AlGaAs based chips and Silicon semiconductor is necessary even though they are relatively safe in the presence of low static-electric discharge. Parts built with AlGaN, GaN, or/and InGaN based chips are **STATIC SENSITIVE**

**devices.** ESD precaution must be taken during design and assembly.

If manual work or processing is needed, please ensure the device is adequately protected from ESD during the process.

Official Product	HT Part No. T4642PTIRM3B000351U1930	Customer Part No.	Data Sheet No.
Tentative Product	*****	*****	-
Specifications are subject to changes for improvement without advance notice. Proprietary data, drawings, company confidential all rights reserved.		11/25/2022	1.3 Page 4/17

## Label Specifications



### ■Harvatek P/N:

**T            464            2            PTIR            M3B-            0003            51**

Product	Package	Dice Q'ty	Type	Voltage	Series Number	Taping
PCB	4.6(L)x3.4(W)x1.62(H) mm	2:Bi	PT:Phototransistor IR:Infrared	PT:5V IR:10mA	X001~XZZZ	1.Taping style 2. Q'ty

### ■ Lot No.:

1	2	3	4	5	6	7	8	9	10
<b>E</b>	<b>1</b>	<b>A</b>	<b>1</b>	<b>A</b>	<b>2</b>	<b>2</b>	<b>L</b>	<b>1</b>	<b>2</b>
Code 1 2		Code 3	Code 4	Code 5	Code 6	Code 7	Code 8	Code 9	Code 10
		Mfg. Year	Mfg. Month	Mfg. Date	Consecutive number		Special code		
Internal Tracing Code		2020-L 2021-M 2022-P 2023-Q ... 2026-T 2027-V ... 2030-Y 2031-Z ...	1:Jan. 2:Feb. ... A:Oct. B:Nov. C:Dec.	1:A 2:B 3:C ... 26:Z 27:7 28:8 29:9 30:3 31:4	01~ZZ		000~ZZZ		

Official Product	HT Part No. T4642PTIRM3B000351U1930	Customer Part No.	Data Sheet No.	
Tentative Product	*****	*****	-	
Specifications are subject to changes for improvement without advance notice. Proprietary data, drawings, company confidential all rights reserved.		11/25/2022	1.3	Page 5/17

## Absolute Maximum Rating at 25°C

Symbol	Parameters	Ratings	Units	Notes
<b>INPUT (Emitter)</b>				
$V_R$	Reverse Voltage	5	V	
$I_F$	Forward Current	50	mA	
$I_{FP}$	Peak Forward Current	1	A	1
$P_d$	Total Power Dissipation	75	mW	
<b>OUTPUT (Detector)</b>				
$BV_{CEO}$	Collector-Emitter Breakdown Voltage	30	V	2
$BV_{ECO}$	Emitter-Collector Breakdown Voltage	5	V	3
$I_C$	Collector Current	20	mA	
$P_d$	Total Power Dissipation	75	mW	
<b>SENSOR</b>				
$T_{opr}$	Operating Temperature	-40 ~ +85	°C	
$T_{stg}$	Storage Temperature	-40 ~ +100	°C	
$T_{sol}$	Soldering Temperature	260	°C	4

### Notes:

- $I_{FP}$  Conditions--Pulse Width  $\leq 100\mu s$  and Duty  $\leq 1\%$ .
- Test conditions :  $I_C=100\mu A$ ,  $E_e=0mW/cm^2$ .
- Test conditions :  $I_E=100\mu A$ ,  $E_e=0mW/cm^2$ .
- Soldering time  $\leq 5$  seconds.

Official Product	HT Part No. T4642PTIRM3B000351U1930	Customer Part No.	Data Sheet No.
Tentative Product	*****	*****	-
Specifications are subject to changes for improvement without advance notice. Proprietary data, drawings, company confidential all rights reserved.		11/25/2022	1.3 Page 6/17

## Electro-Optical Characteristics

Symbol	Parameters	Test conditions	Min	Typ	Max	Units	Notes
<b>INPUT (Emitter)</b>							
$V_F$	Forward Voltage	$I_F=20\text{mA}$	-	1.2	1.6	V	
$\lambda_P$	Peak Wavelength	$I_F=10\text{mA}$	-	940	-	nm	
$I_R$	Reverse Current	$V_R=5\text{V}$	-	-	10	$\mu\text{A}$	
<b>OUTPUT (Detector)</b>							
$V_{CE(\text{sat})}$	Collector-Emitter Saturation Voltage	$I_C=2\text{mA}$ $E_e=1\text{mW/cm}^2$	-	-	0.4	V	
$I_{CEO}$	Collector Dark Current	$V_{CE}=10\text{V}$ $E_e=0\text{mW/cm}^2$	-	-	100	nA	
<b>SENSOR</b>							
$I_{C(\text{ON})}$	Collector Light Current	$V_{CE}=5\text{V}$ $I_F=10\text{mA}$ $d=1\text{ mm}$	0.18	-	0.4	mA	5
$I_{LEAK}$	Leakage Current	$V_{CE}=5\text{V}$ $I_F=10\text{mA}$ with no reflection	-	-	1	$\mu\text{A}$	
$t_r$	Rise Time	$V_{CE}=2\text{V}$ $I_C=100\mu\text{A}$ $R_L=1\text{K}\Omega$ $d=1\text{ mm}$	-	20	-	$\mu\text{S}$	6
$t_f$	Fall Time		-	20	-	$\mu\text{S}$	

### Notes:

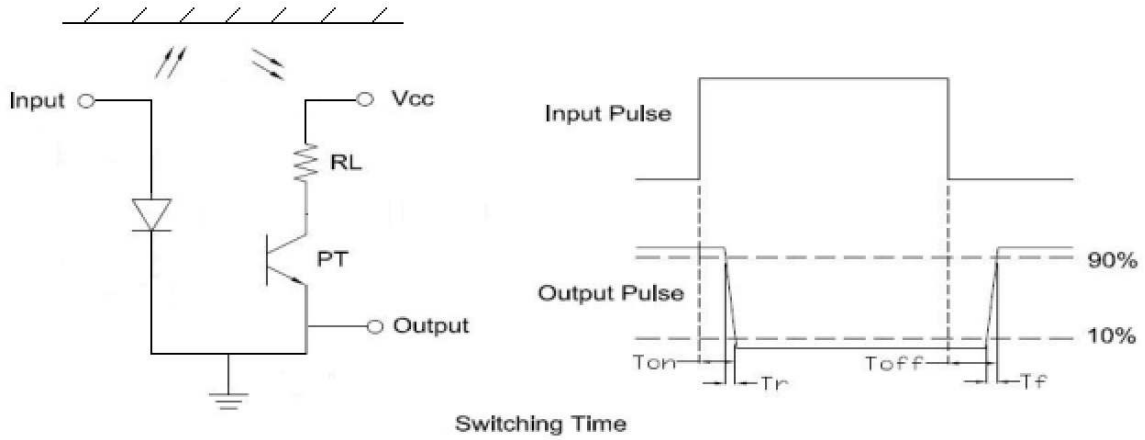
5.  $I_C$  Bin Rank (mA) :

Bin Code	BX3	BX4	BX5	BX6	BX7
Min	0.18	0.23	0.28	0.33	0.38
Max	0.23	0.28	0.33	0.38	0.4

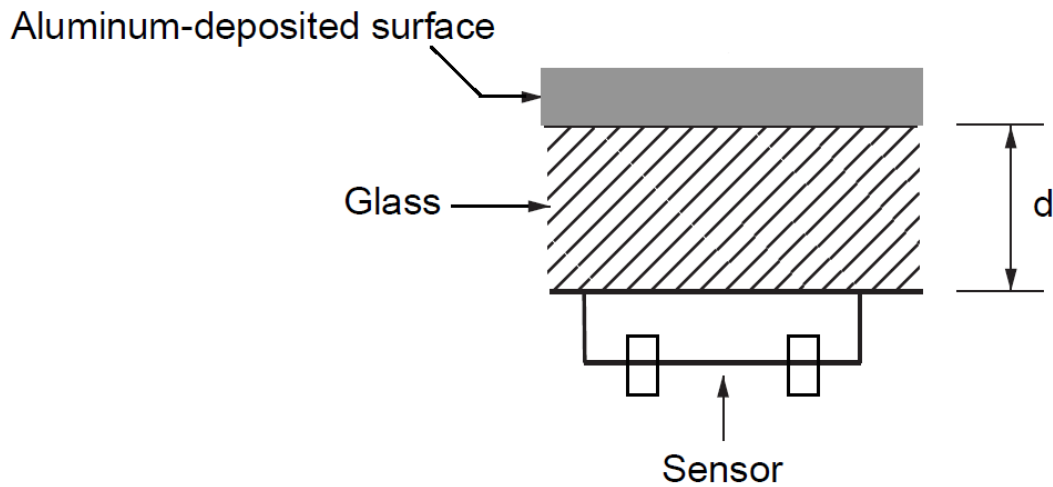
Official Product	HT Part No. T4642PTIRM3B000351U1930	Customer Part No.	Data Sheet No.
Tentative Product	*****	*****	-
Specifications are subject to changes for improvement without advance notice. Proprietary data, drawings, company confidential all rights reserved.		11/25/2022	1.3 Page 7/17

**Notes:**

6. Test circuit :



■ **Light Current Measurement Setup Diagram**



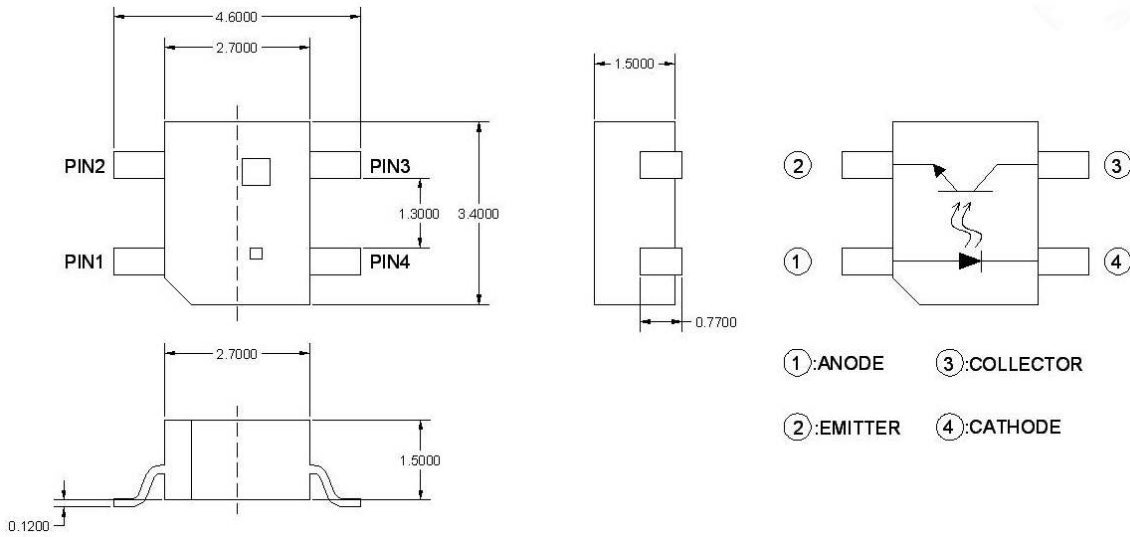
Official Product	HT Part No. T4642PTIRM3B000351U1930	Customer Part No.	Data Sheet No.
Tentative Product	*****	*****	-
Specifications are subject to changes for improvement without advance notice. Proprietary data, drawings, company confidential all rights reserved.		11/25/2022	1.3 Page 8/17



## Package Outline Dimension and Recommended Soldering Pattern for Reflow Soldering

(Unit: mm Tolerance: +/-0.1)

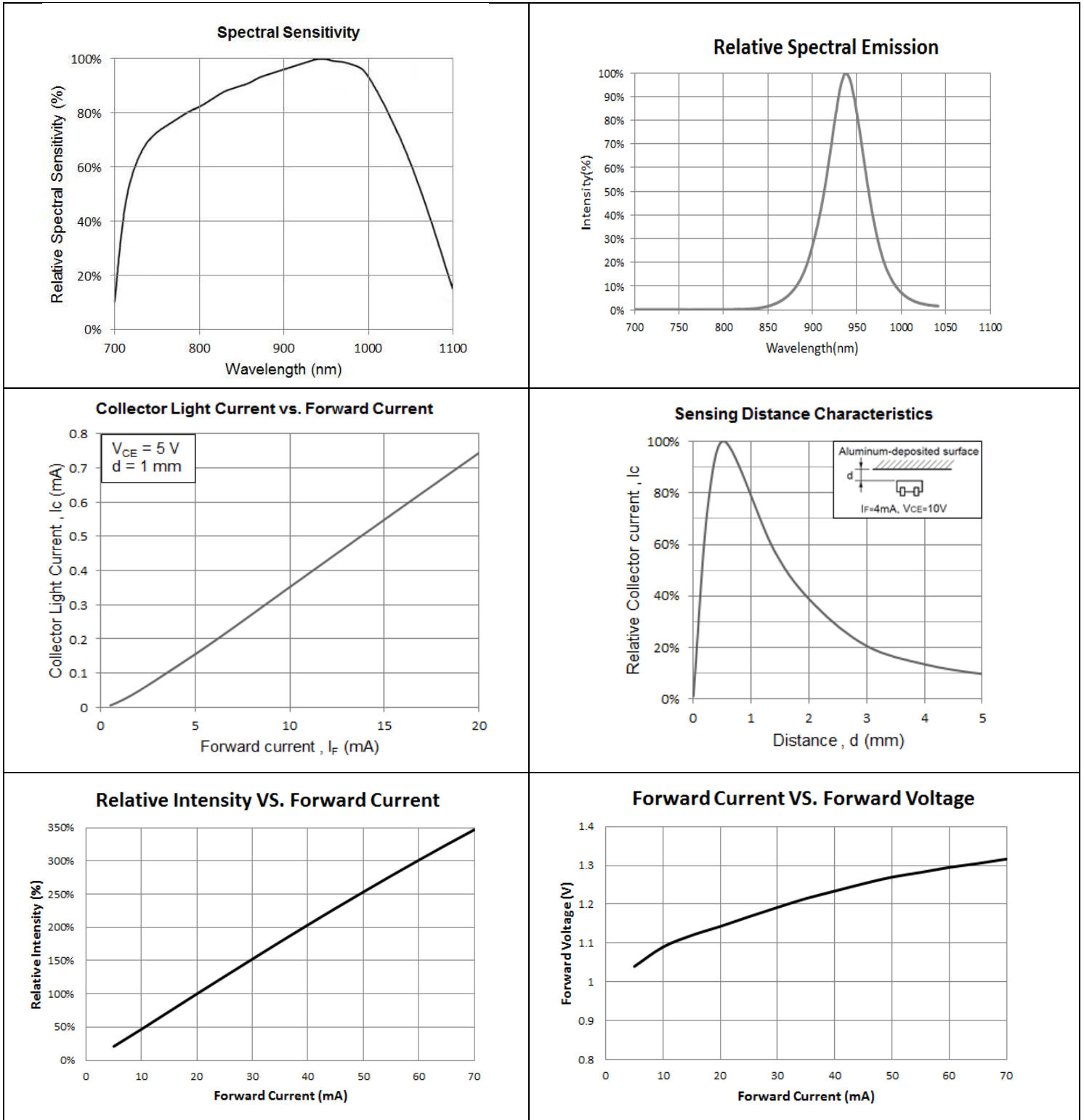
### Outline Dim.



Soldering terminals may shift in the x, y direction.

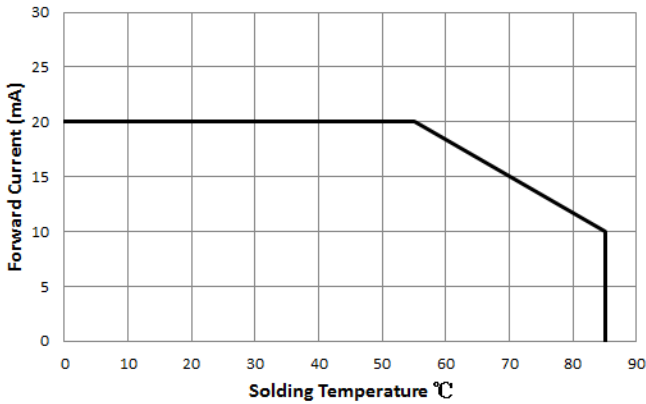
Official Product	HT Part No. T4642PTIRM3B000351U1930	Customer Part No.	Data Sheet No.
Tentative Product	*****	*****	-
Specifications are subject to changes for improvement without advance notice. Proprietary data, drawings, company confidential all rights reserved.		11/25/2022	1.3 Page 9/17

## Characteristics of T4642PTIR

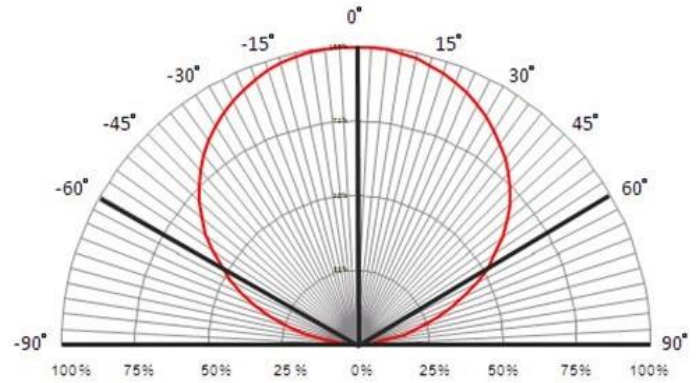


Official Product	HT Part No. T4642PTIRM3B000351U1930	Customer Part No.	Data Sheet No.
Tentative Product	*****	*****	-
Specifications are subject to changes for improvement without advance notice. Proprietary data, drawings, company confidential all rights reserved.		11/25/2022	1.3 Page 10/17

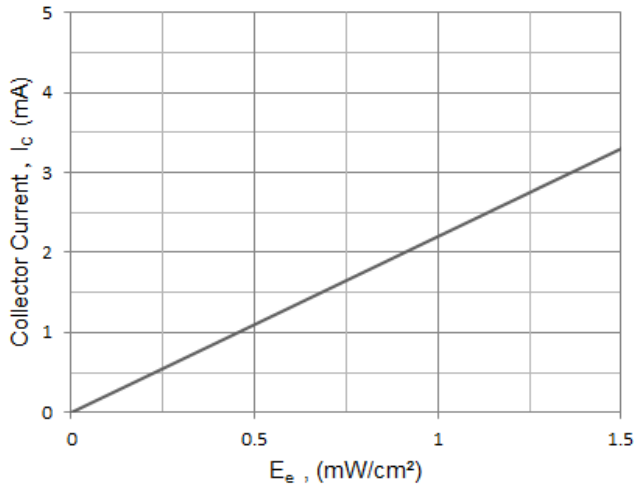
**Forward Current VS. Soldering Temperature**



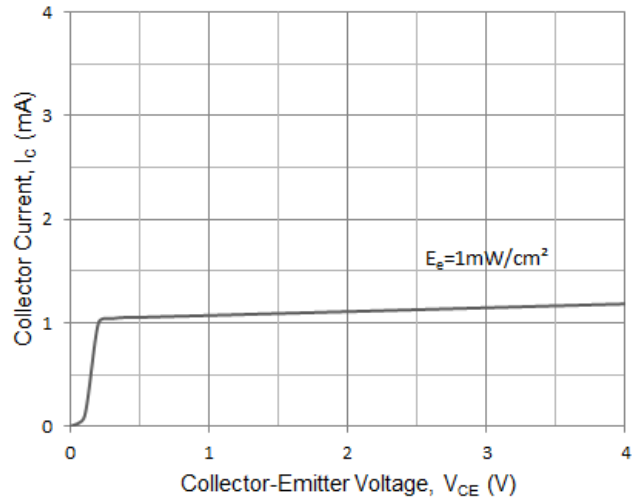
**Directive Characteristics**



**Collector Current VS.  $E_e$**



**Collector Current VS. Collector-Emitter Voltage**



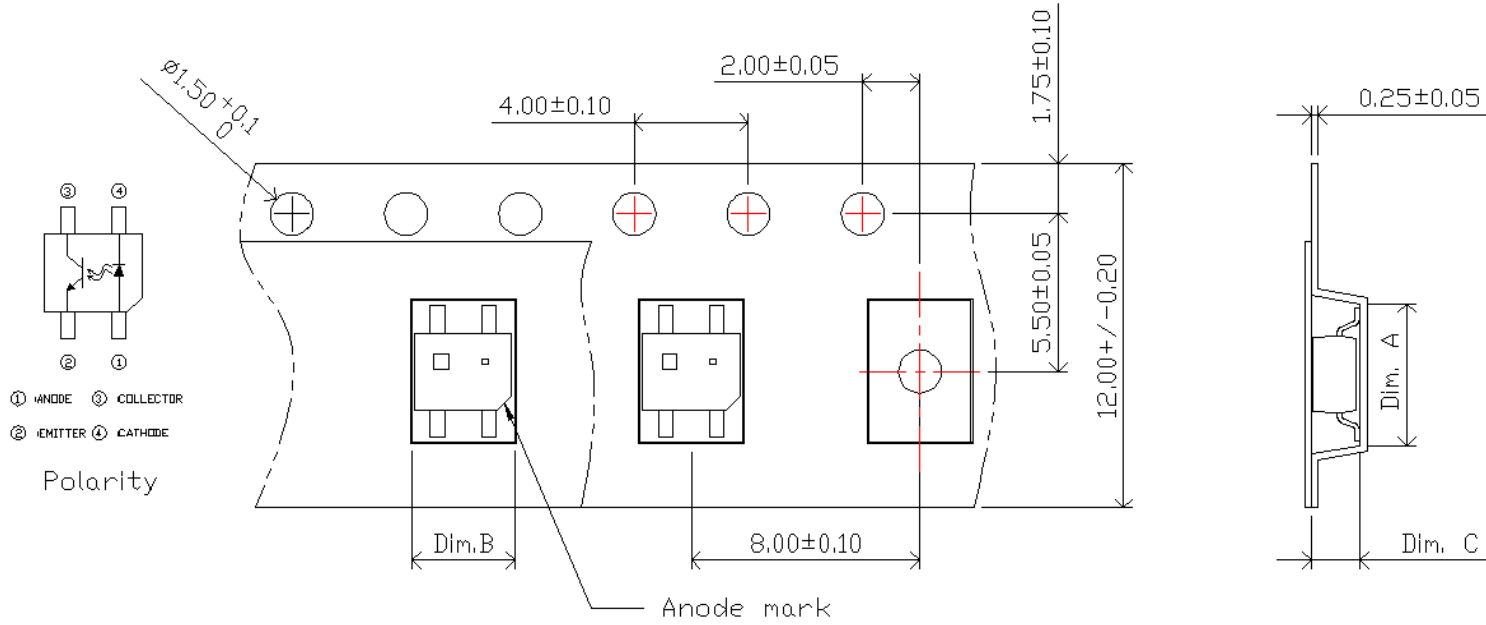
Official Product	HT Part No. T4642PTIRM3B000351U1930	Customer Part No.	Data Sheet No.
Tentative Product	*****	*****	-
Specifications are subject to changes for improvement without advance notice. Proprietary data, drawings, company confidential all rights reserved.		11/25/2022	1.3 Page 11/17

## Precaution for Use

1. The chips should not be used directly in any type of fluid such as water, oil, organic solvent, etc.
2. When the LEDs are illuminating, the maximum ambient temperature should be first considered before operation.
3. LEDs must be stored in a clean environment. A sealed container with a nitrogen atmosphere is necessary if the storage period is over 3 months after shipping.
4. The LEDs must be used within 72 hours after unpacked. Unused products must be repacked in an anti-electrostatic package, folded to close any opening and then stored in a dry and cool space.
5. The appearance and specifications of the products may be modified for improvement without further notice.
6. The LEDs are sensitive to the static electricity and surge. It is strongly recommended to use a grounded wrist band and anti-electrostatic glove when handling the LEDs. If a voltage over the absolute maximum rating is applied to LEDs, it will damage LEDs. Damaged LEDs will show some abnormal characteristics such as remarkable increase of leak current, lower turn-on voltage and getting unlit at low current.

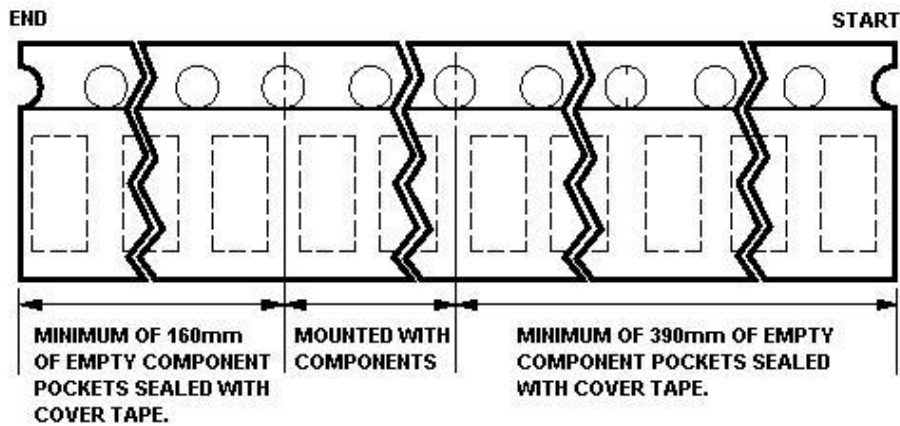
Official Product	HT Part No. T4642PTIRM3B000351U1930	Customer Part No.	Data Sheet No.
Tentative Product	*****	*****	-
Specifications are subject to changes for improvement without advance notice. Proprietary data, drawings, company confidential all rights reserved.		11/25/2022	1.3 Page 12/17

## Packaging Tape Dimension



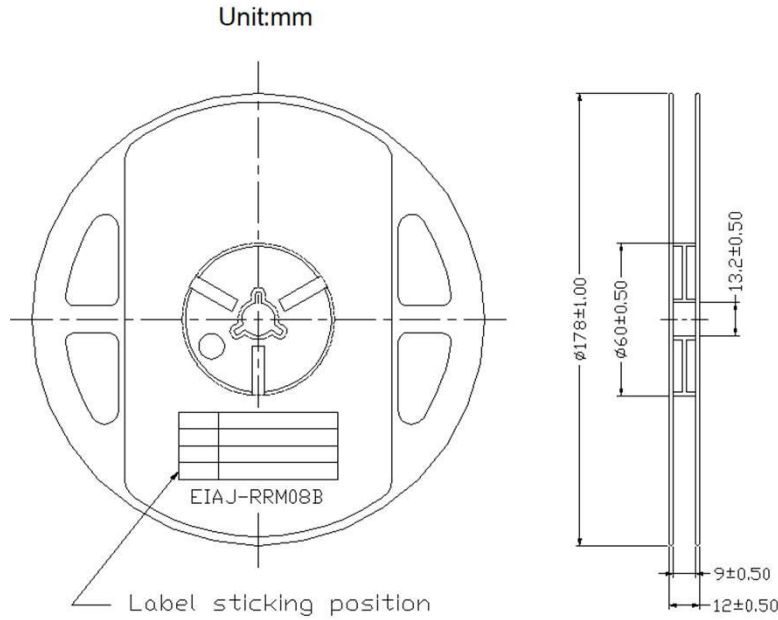
Dim. A	Dim. B	Dim. C	Q'ty/Reel
$4.95 \pm 0.10$	$3.60 \pm 0.10$	$1.72 \pm 0.10$	1K

Unit: mm

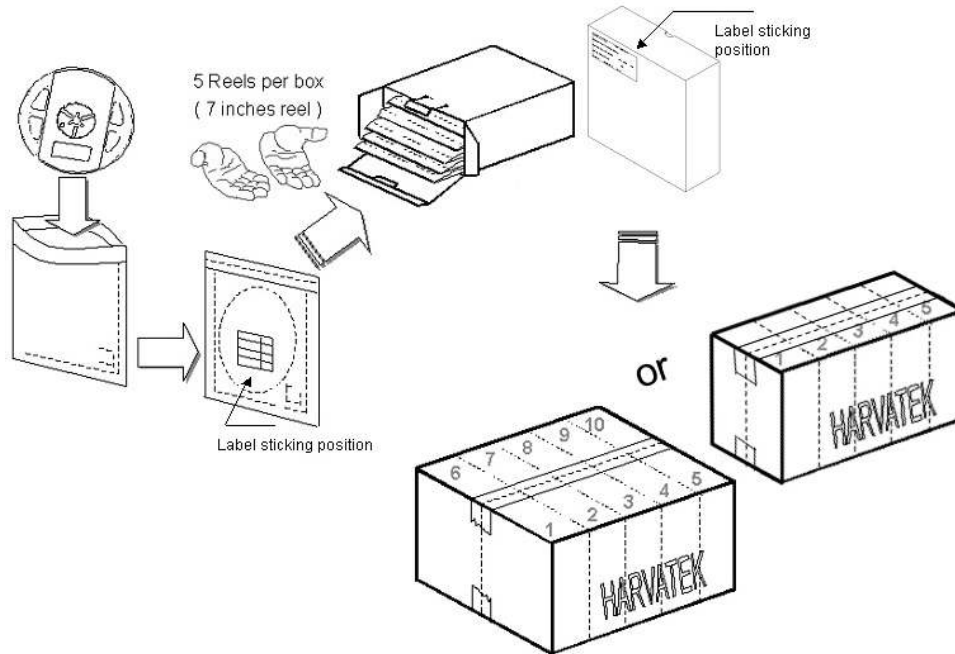


Official Product	HT Part No. T4642PTIRM3B000351U1930	Customer Part No.	Data Sheet No.
Tentative Product	*****	*****	-
Specifications are subject to changes for improvement without advance notice. Proprietary data, drawings, company confidential all rights reserved.		11/25/2022	1.3 Page 13/17

## Reel Dimension



## Packing



5 or 10 boxes per carton is available depending on shipment quantity.

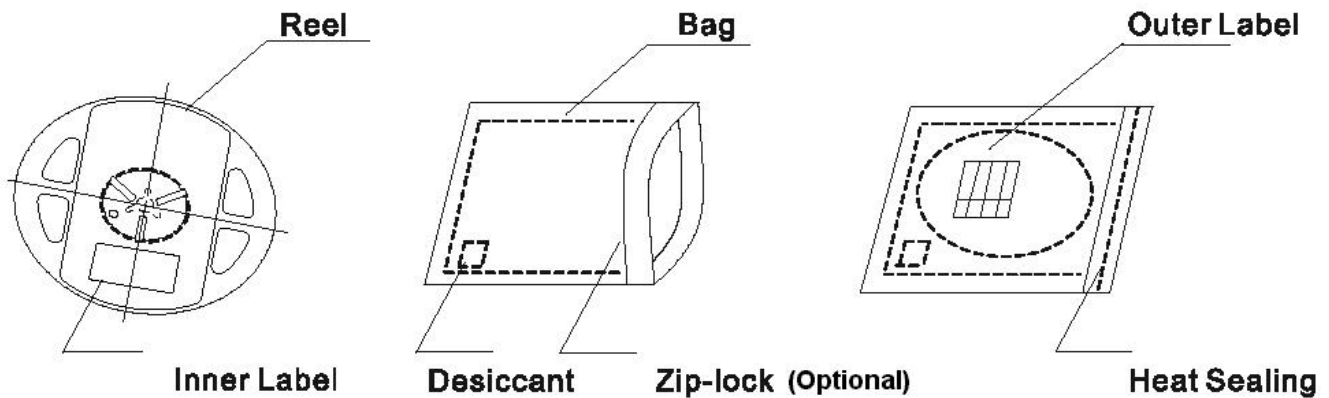
Official Product	HT Part No. T4642PTIRM3B000351U1930	Customer Part No.	Data Sheet No.
Tentative Product	*****	*****	-
Specifications are subject to changes for improvement without advance notice. Proprietary data, drawings, company confidential all rights reserved.		11/25/2022	1.3 Page 14/17

## Dry Pack

All SMD optical devices are **MOISTURE SENSITIVE**. Avoid exposure to moisture at all times during transportation or storage. Every reel is packaged in a moisture protected anti-static bag. Each bag is properly sealed prior to shipment.

A humidity indicator will be included in the moisture protected anti-static bag prior to shipment.

The packaging sequence is as follows:



## Baking

Baking before soldering is recommended when the package has been unsealed for 72 hours.

The conditions are as followings:

1.  $60 \pm 3^\circ\text{C} \times (12 \sim 24\text{hrs})$  and  $< 5\% \text{RH}$ , taped reel type.
2.  $100 \pm 3^\circ\text{C} \times (45\text{min} \sim 1\text{hr})$ , bulk type.
3.  $130 \pm 3^\circ\text{C} \times (15\text{min} \sim 30\text{min})$ , bulk type.

## Precautions

1. Avoid exposure to moisture at all times during transportation or storage.
2. Anti-Static precaution must be taken when handling GaN, InGaN, and AlGaInP products.
3. It is suggested to connect the unit with a current limiting resistor of the proper size. Avoid applying a reverse voltage beyond the specified limit.
4. Avoid operation beyond the limits as specified by the absolute maximum ratings.
5. Avoid direct contact with the surface through which the LED emits light.
6. If possible, assemble the unit in a clean room or dust-free environment.

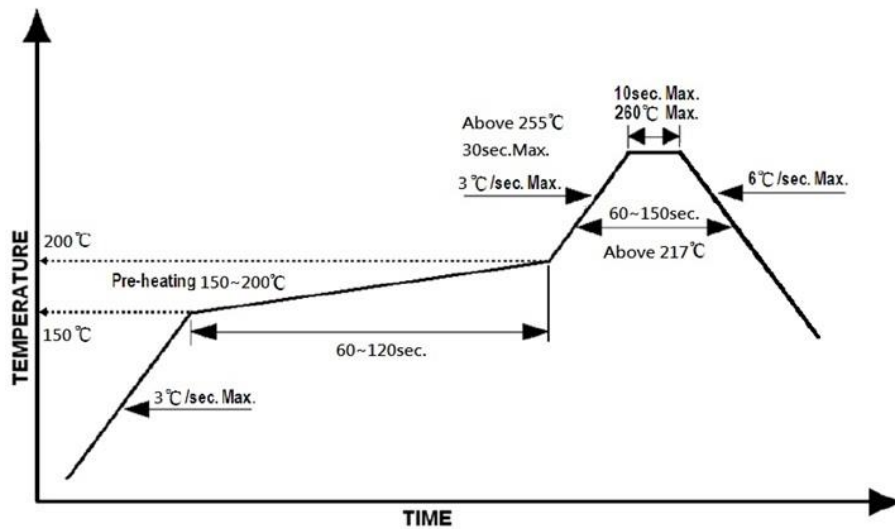
Official Product	HT Part No. T4642PTIRM3B000351U1930	Customer Part No.	Data Sheet No.
Tentative Product	*****	*****	-
Specifications are subject to changes for improvement without advance notice. Proprietary data, drawings, company confidential all rights reserved.		11/25/2022	1.3 Page 15/17

## Reflow Soldering

Recommend soldering paste specifications:

1. Operating temp.: Above 217°C ,60~150 sec
2. Peak temp.:260°C Max.,10sec Max.
3. Reflow soldering should not be done more than two times.
4. Never take next process until the component is cooled down to room temperature after reflow.
5. The recommended reflow soldering profile (measuring on the surface of the LED terminal) is following:

Lead-free Solder Profile



## Reworking

- Rework should be completed within 5 seconds under 260°C.
- The iron tip must not come in contact with the copper foil.
- Twin-head type is preferred.

## Cleaning

Following are cleaning procedures after soldering:

- An alcohol-based solvent such as isopropyl alcohol (IPA) is recommended.
- Temperature x Time should be 50°C x 30sec. or <30°C x 3min
- Ultra sonic cleaning: < 15W/ bath; bath volume ≤ 1liter
- Curing: 100°C max, <3min

Official Product	HT Part No. T4642PTIRM3B000351U1930	Customer Part No.	Data Sheet No.
Tentative Product	*****	*****	-
Specifications are subject to changes for improvement without advance notice. Proprietary data, drawings, company confidential all rights reserved.		11/25/2022	1.3 Page 16/17



