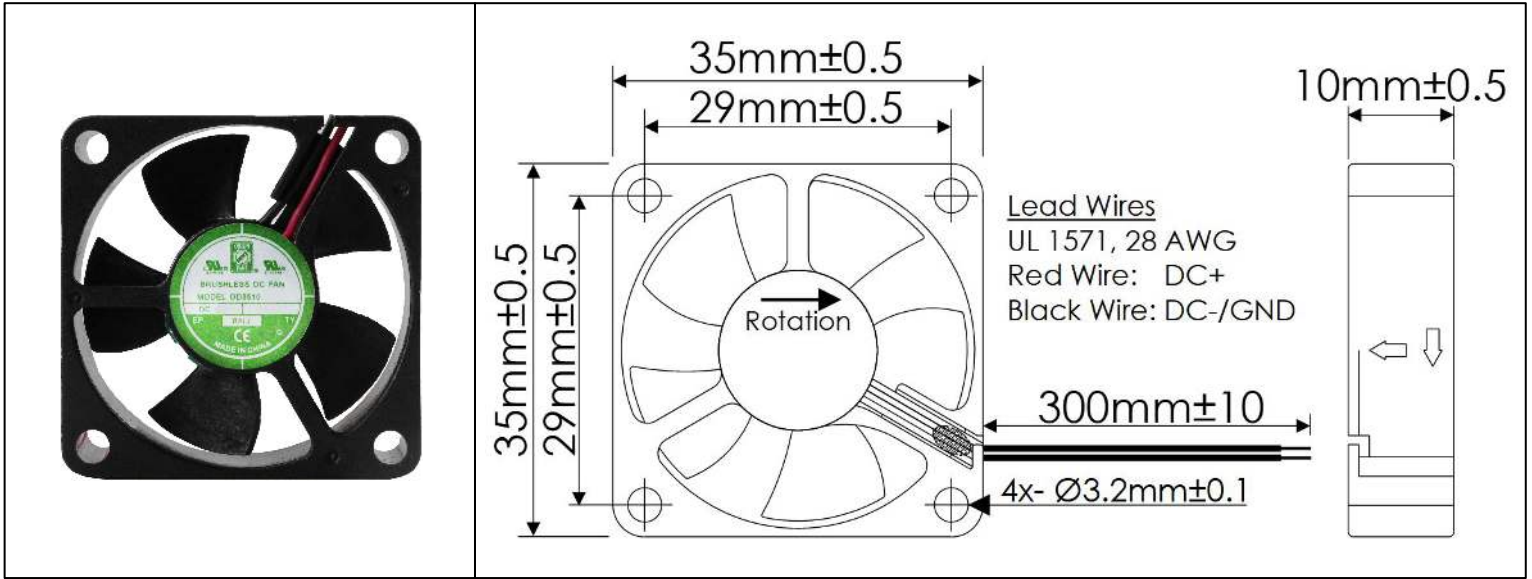


OD3510 Series



DC Fans - 5, 12V
35mm x 10mm (1.38" x 0.40")



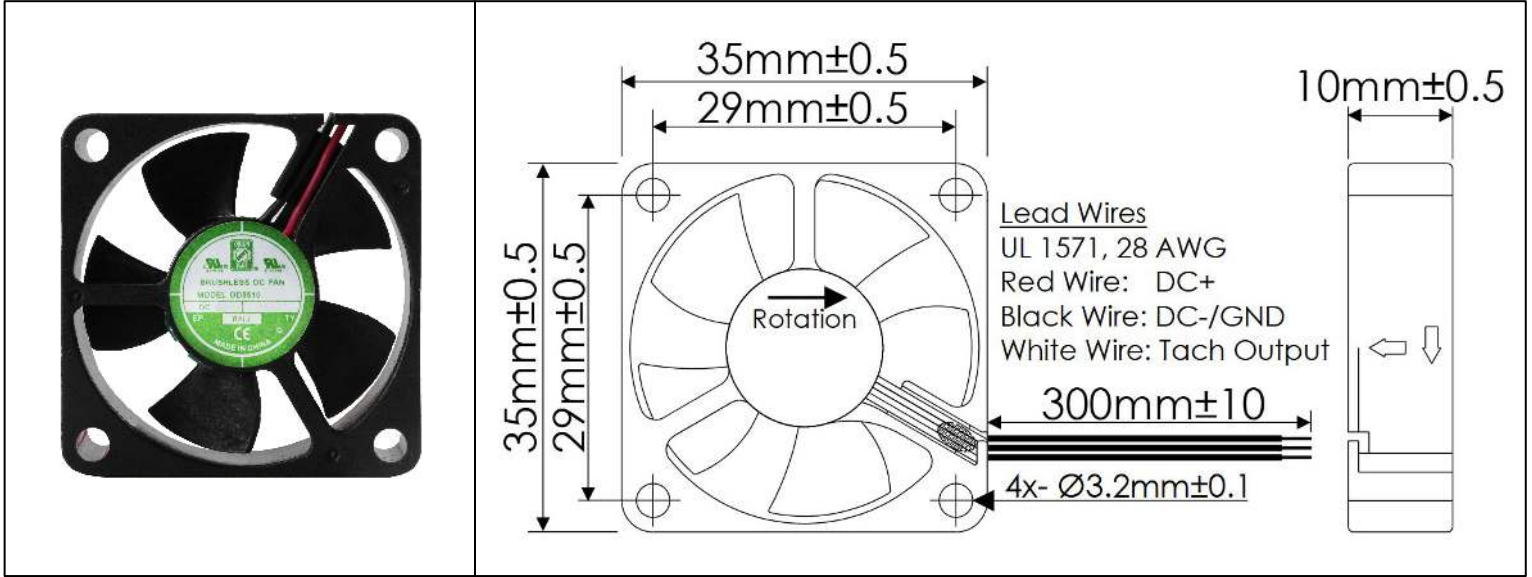
Frame	PBT, UL94 V-0 Plastic	Operating Temperature -20°C ~ +65°C Storage Temperature -20°C ~ +75°C Life Expectancy 70,000 Hours (L10 at 40°C) Available Options PWM Speed Control Input 0-10V Speed Control Input Tachometer Output Alarm Output IP Ratings Other Speeds Weight: 0.02 lbs.	
Impeller	PBT, UL94 V-0 Plastic		
Connection	2x Wire Leads, 28 AWG		
Motor	Brushless DC, Auto Cutoff, Auto Restart, Electronically Protected		
Bearing System	Ball Bearings		
Dielectric Strength	500VDC/min, <1mA		
Insulation Resistance	≥10M Ohm @ 500 VDC		

Part Number	Rated Voltage (Volts DC)	Voltage Range (Volts DC)	Input Power (Watts)	Rated Current (Amps)	Rated Speed (RPM)	Max Airflow (CFM)	Noise Level (dBA)	Max Static Pressure ("H ₂ O)
OD3510-05HB	5	4.5 ~ 5.5	1.00	0.20	9400	7.2	38.0	0.18
OD3510-05MB	5	4.5 ~ 5.5	0.65	0.13	7900	5.1	34.1	0.13
OD3510-05LLB	5	4.5 ~ 5.5	0.30	0.06	4500	2.9	20.5	0.04
OD3510-12MB	12	11 ~ 13.8	1.56	0.13	7900	5.1	34.1	0.13
OD3510-12LLB	12	11 ~ 13.8	0.60	0.05	4500	2.9	20.5	0.04

OD3510 Series with Tachometer

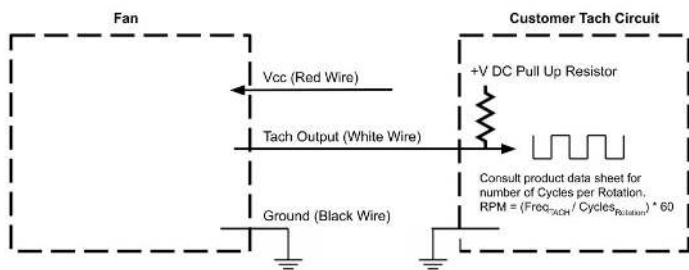


DC Fans - 5, 12V
35mm x 10mm (1.38" x 0.40")



Frame	PBT, UL94 V-0 Plastic	Operating Temperature -20°C ~ +65°C Storage Temperature -20°C ~ +75°C Life Expectancy 70,000 Hours (L10 at 40°C) Installed Options Open Collector Tach Output Available Options 5V TTL Tachometer Weight: 0.02 lbs.	
Impeller	PBT, UL94 V-0 Plastic		
Connection	3x Wire Leads, 28 AWG		
Motor	Brushless DC, Auto Cutoff, Auto Restart, Electronically Protected		
Bearing System	Ball Bearings		
Dielectric Strength	500VDC/min, <1mA		
Insulation Resistance	≥10M Ohm @ 500 VDC		

Part Number	Rated Voltage (Volts DC)	Voltage Range (Volts DC)	Input Power (Watts)	Rated Current (Amps)	Rated Speed (RPM)	Max Airflow (CFM)	Noise Level (dBA)	Max Static Pressure ("H ₂ O)
OD3510-05HB01A	5	4.5 ~ 5.5	1.00	0.20	9400	7.2	38.0	0.18
OD3510-05MB01A	5	4.5 ~ 5.5	0.65	0.13	7900	5.1	34.1	0.13
OD3510-05LLB01A	5	4.5 ~ 5.5	0.30	0.06	4500	2.9	20.5	0.04
OD3510-12MB01A	12	11 ~ 13.8	1.56	0.13	7900	5.1	34.1	0.13
OD3510-12LLB01A	12	11 ~ 13.8	0.60	0.05	4500	2.9	20.5	0.04



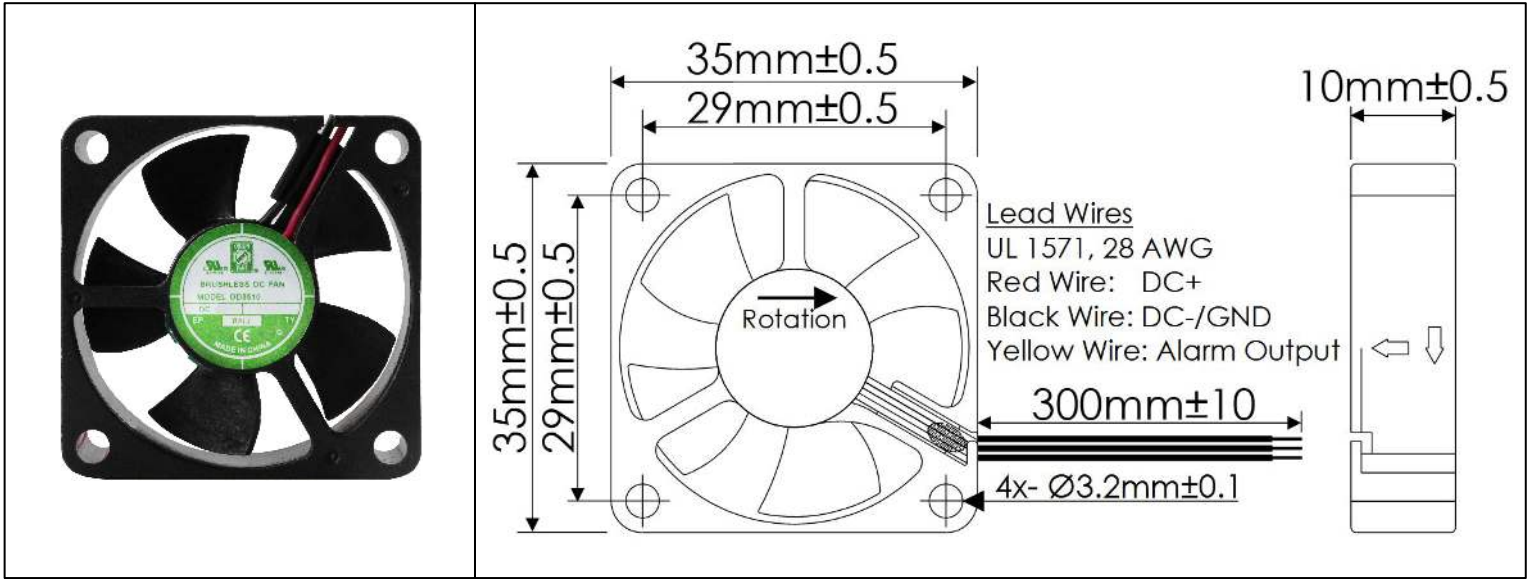
Tach Max Pullup Voltage: Fan Vcc
Tach Max Sink Current: 5mA
Tach Cycles per Rotation: 4

Consult product data sheet for number of Cycles per Rotation.
 $RPM = (FREQ_{TACH} / Cycles_{PER_ROTATION}) * 60$

OD3510 Series with Alarm

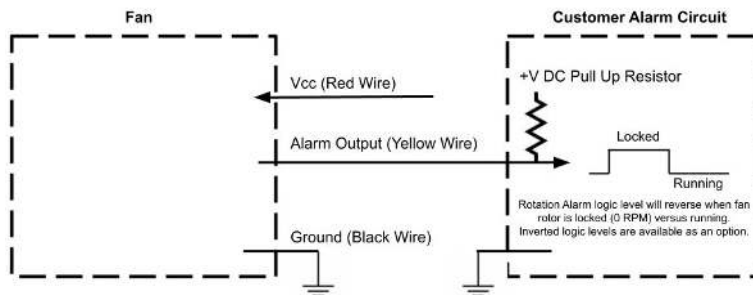


DC Fans - 5, 12V
35mm x 10mm (1.38" x 0.40")



Frame	PBT, UL94 V-0 Plastic	Operating Temperature -20°C ~ +65°C Storage Temperature -20°C ~ +75°C Life Expectancy 70,000 Hours (L10 at 40°C) Installed Options Open Collector Alarm Output Available Options 5V TTL Alarm Inverted Alarm Logic Weight: 0.02 lbs.	
Impeller	PBT, UL94 V-0 Plastic		
Connection	3x Wire Leads, 28 AWG		
Motor	Brushless DC, Auto Cutoff, Auto Restart, Electronically Protected		
Bearing System	Ball Bearings		
Dielectric Strength	500VDC/min, <1mA		
Insulation Resistance	≥10M Ohm @ 500 VDC		

Part Number	Rated Voltage (Volts DC)	Voltage Range (Volts DC)	Input Power (Watts)	Rated Current (Amps)	Rated Speed (RPM)	Max Airflow (CFM)	Noise Level (dBA)	Max Static Pressure ("H ₂ O)
OD3510-05HB02A	5	4.5 ~ 5.5	1.00	0.20	9400	7.2	38.0	0.18
OD3510-05MB02A	5	4.5 ~ 5.5	0.65	0.13	7900	5.1	34.1	0.13
OD3510-05LLB02A	5	4.5 ~ 5.5	0.30	0.06	4500	2.9	20.5	0.04
OD3510-12MB02A	12	11 ~ 13.8	1.56	0.13	7900	5.1	34.1	0.13
OD3510-12LLB02A	12	11 ~ 13.8	0.60	0.05	4500	2.9	20.5	0.04



Alarm Max Pullup Voltage: Fan Vcc
Alarm Max Sink Current: 5mA
Alarm Active Logic State: HIGH