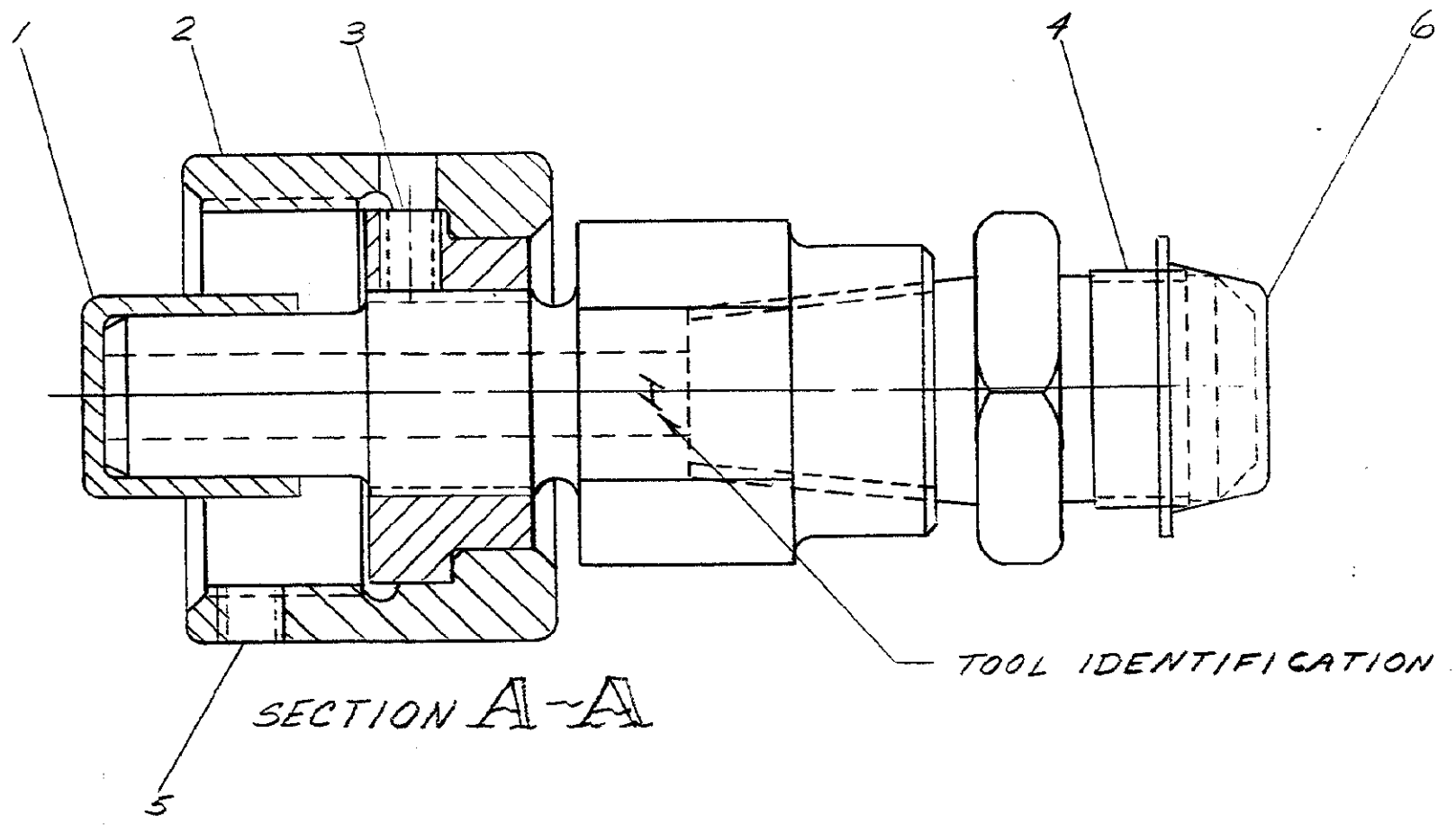
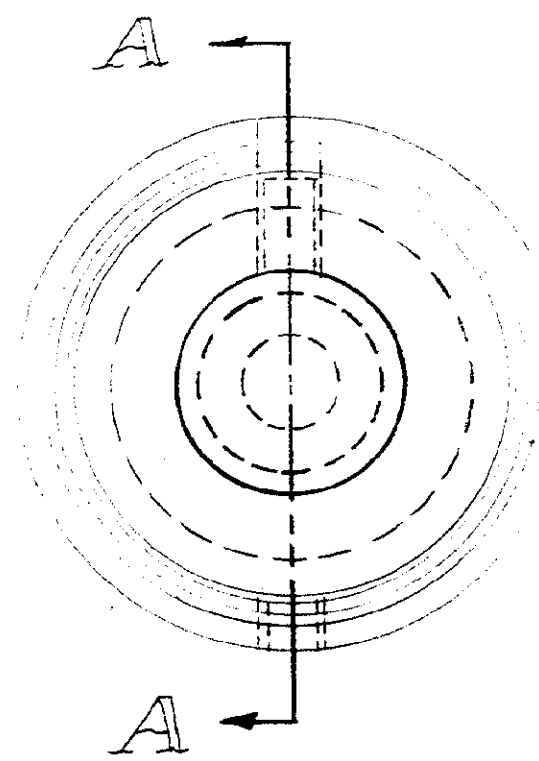


S



1	1-22541-8	CAP PROTECTIVE	6
1	3-21003-9	SCREW (8-32 UNC-3A X .138)	5
1	305118	CONNECTOR - MALE	4
1	21059-2	SCREW	3
1	301721	COLLAR	2
1	302222	PLASTIC CAP	1

NUMBER	NAME	REMARKS	ITEM NO
<small>© 1969 BY AMP INCORPORATED. ALL RIGHTS RESERVED. AMP PRODUCTS COVERED BY PATENTS AND/OR PATENTS PENDING.</small>			
DR		MATERIAL AND FINISH	
P. J. Jurgens 5-14-69		+	
CHK		WIRE - RANGE - INSULATION	
D. J. Jurgens 5-14-69		+ + + + +	
DE		TOLERANCE EXCEPT AS NOTED	SCALE
D. J. Jurgens 5-14-69		$\pm .015 \pm 1^\circ$	2-1
NAME		LOC	NO
COUPLING ASSEMBLY		M	B 47206
		REV	HA

NUMBER	DESCRIPTION	DATE	DR	CHK
H-4	REVISED	9-30-72	BWS	
H-3	REVISED	1-29-72	B.S.	EJF
H-2	REVISED	12-16-71	B.S.	EJF
H-1	REVISED	5-26-70	PL	EJF
H	REVISED	5-14-69	PL	J
LTR	REVISION RECORD		DR	CHK

NUMBER	DESCRIPTION
72206	COUPLING ASSEMBLY

DIMENSIONS IN INCHES. DO NOT SCALE PRINT.

PRINT DIST

D

C

B

A