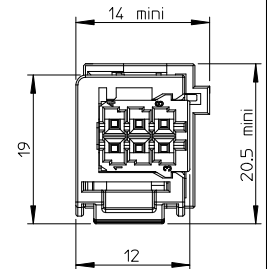
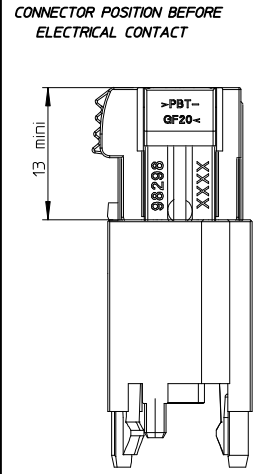
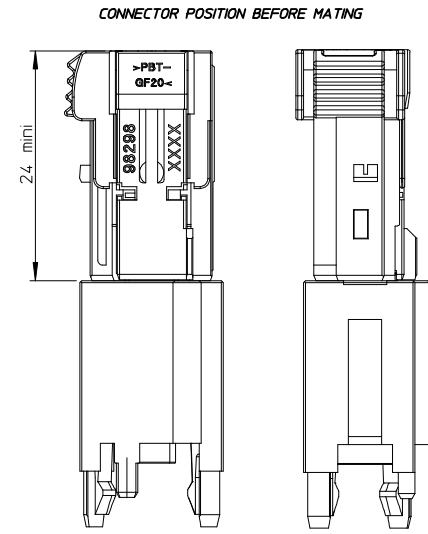
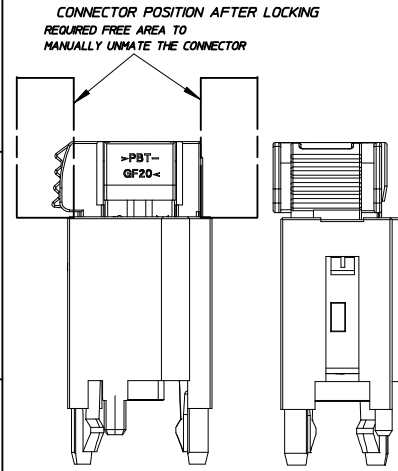
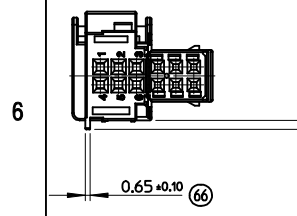
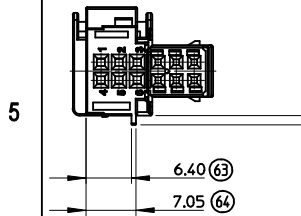
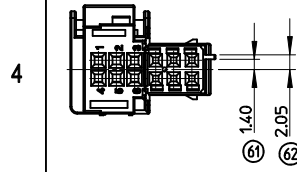
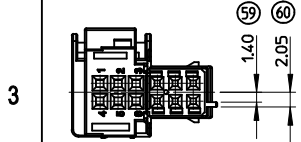
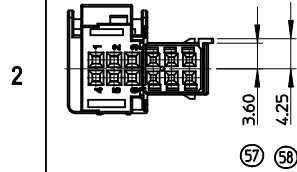
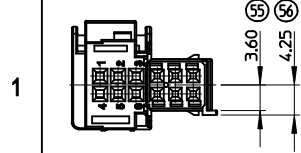


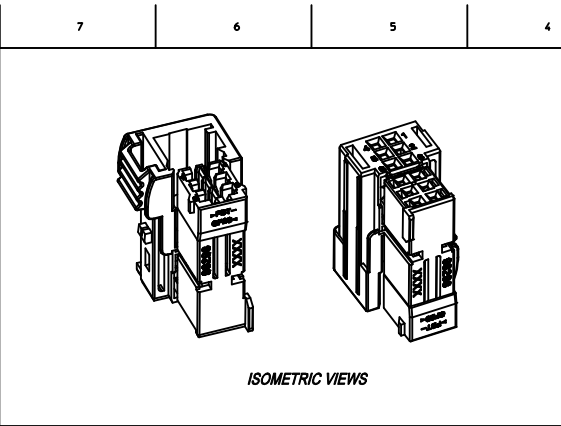
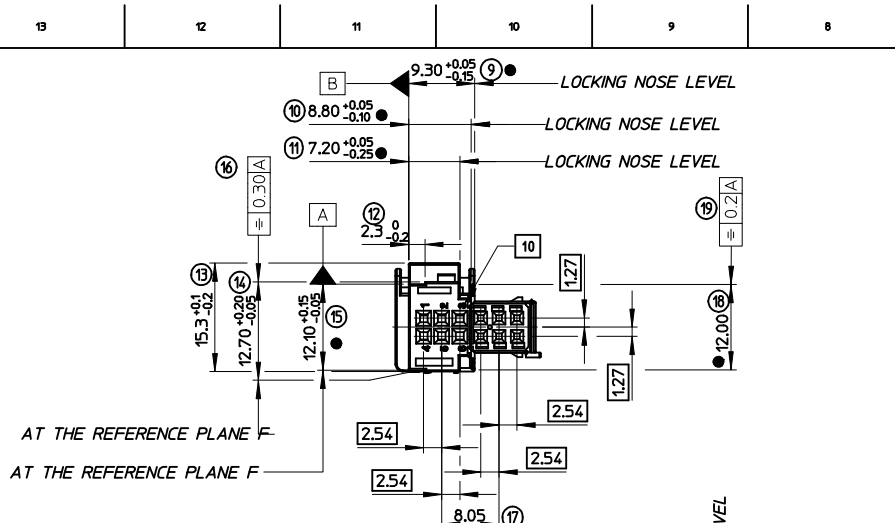
CODINGS

OVERALL DIMENSIONS FEMALE HOUSING + HEADER



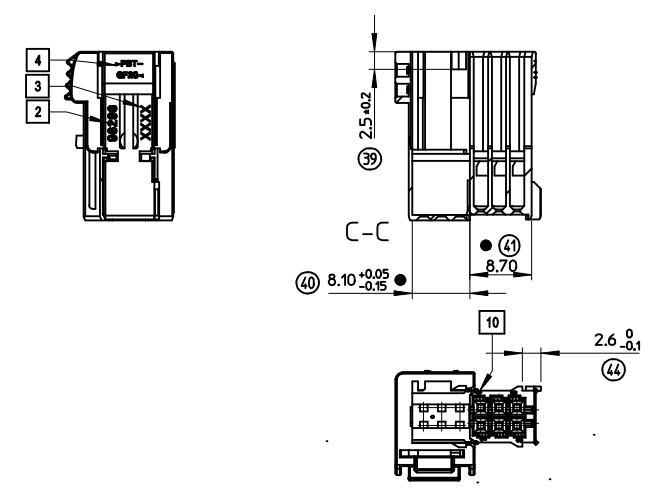
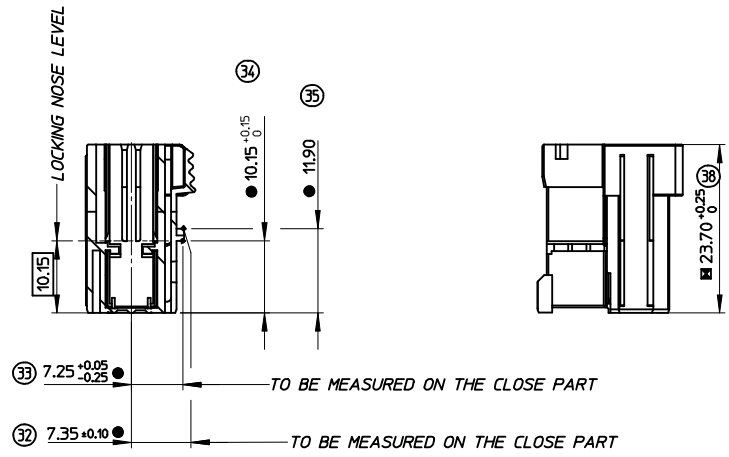
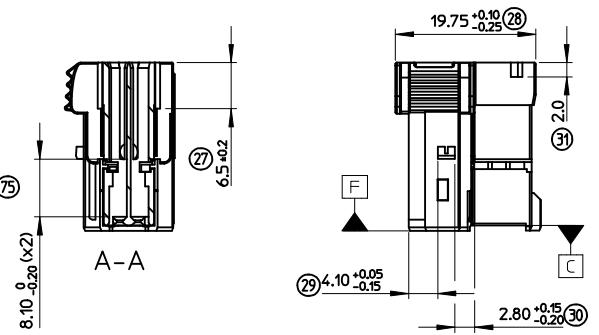
6	BLUE	0982980016	MOX RCPT HSG FFC BREAK PBT BLE DR 3 CKT
5	GREY	0982980015	MOX RCPT HSG FFC BREAK PBT GRY DR 3 CKT
4	BROWN	0982980014	MOX RCPT HSG FFC BREAK PBT BRN DR 3 CKT
3	GREEN	0982980013	MOX RCPT HSG FFC BREAK PBT GRN DR 3 CKT
2	WHITE	0982980012	MOX RCPT HSG FFC BREAK PBT WHT DR 3 CKT
1	BLACK	0982980011	MOX RCPT HSG FFC BREAK PBT BLK DR 3 CKT
CODING	COLOR	MATERIAL NUMBER	DESIGNATION

ENTER DESCRIPTION EC NO: GZ009-0158 DRAWN: DDOSSANTOS 2009/03/16 CHKD: JDUCLOS 2009/03/16 APPR: OPLESSIS 2009/03/18	DESCRIPTION [REDACTED]	GENERAL TOLERANCES (UNLESS SPECIFIED)		DIMENSION STYLE MM ONLY	SCALE 2:1	DESIGN UNITS METRIC	FIRST ANGLE PROJECTION		
		4 PLACES ± --- ± 0 3 PLACES ± 0 ± 0 2 PLACES ± 0.05 ± 0 1 PLACE ± 0.10 ± ---	m/m INCH	DRAWN BY DDOSSANTOS	DATE 31/10/2008	TITLE 6 WAY MOX FLEX 2X3 WAY BREAKABLE			
		ANGULAR ± 1/2°		CHECKED BY JDUCLOS	DATE 31/10/2008	MOLEX INCORPORATED			
		DRAFT WHERE APPLICABLE MUST REMAIN WITHIN DIMENSIONS		APPROVED BY CBOUCHAN	DATE 31/10/2008	MATERIAL NO. SEE CHART	DOCUMENT NO. SD-98298-004	SHEET NO. 1 OF 2	
THIS DRAWING CONTAINS INFORMATION THAT IS PROPRIETARY TO MOLEX INCORPORATED AND SHOULD NOT BE USED WITHOUT WRITTEN PERMISSION									



(SKC) SPECIAL KEYS CHARACTERISTICS			
⊠	1	⊗	0
⊙	2	●	11
⊙	3	●	(SKC) 0
QUANTITY PER INDIVIDUAL SHEET			
⊠	1	⊗	0
⊙	2	●	11
⊙	3	●	(SKC) 0

- 1- REPRESENTED HOUSING CODING N°1
- 2- TERMINAL LAYOUT, OVERALL DIMENSIONS, CODING ACCORDING TO CONNECTIAL INTERFACE DRAWING TYCO C-079890-C
- 3- MOLEX APPLICATION SPECIFICATION: RAS-98298-001
- 4- RADI NOT DEFINED R=0.1
- 5- MATERIAL: >PBT-GF20<
- 7- PRODUCT IN CONFORMANCE WITH THE PACKAGING MOLEX : PK-98298-001
- 8- TERMINALS PART NUMBERS: MOLEX 0981941211
- 9- PART WEIGHT: 3.100 g



- NOTES:
- 1 - Engineering Control ID.
 - 2 - Series Number
 - 3 - Part Number
 - 4 - Material marking.
 - 5 - Production clock: Year
 - 6 - Production clock: Month
 - 7 - Drawing revision level
 - 8 - Mold cavity number
 - 9 - Mold revision level
 - 10 - Cavity Number

ENTER DESCRIPTION EC NO: G2009-0158 DRAWN: DOSSANTOS 2009/03/16 CHKD: DJUCLOS 2009/03/16 APPR: OPLESSIS 2009/03/18	GENERAL TOLERANCES (UNLESS SPECIFIED)		DIMENSION STYLE MM ONLY		SCALE 2:1	DESIGN UNITS METRIC	FIRST ANGLE PROJECTION	
	4 PLACES ± --- ± 0 3 PLACES ± 0 ± 0 2 PLACES ± 0.05 ± 0 1 PLACE ± 0.10 ± ---	mm INCH	DRAWN BY DOSSANTOS	DATE 31/10/2008	TITLE 6 WAY MOX FLEX 2X3 WAY BREAKABLE			
	ANGULAR ± 1/2°	DRAFT WHERE APPLICABLE MUST REMAIN WITHIN DIMENSIONS	CHECKED BY DJUCLOS	DATE 31/10/2008	APPROVED BY CBOUCHAN	DATE 31/10/2008	molex MOLEX INCORPORATED	
	see sheet 1	THIS DRAWING CONTAINS INFORMATION THAT IS PROPRIETARY TO MOLEX INCORPORATED AND SHOULD NOT BE USED WITHOUT WRITTEN PERMISSION	MATERIAL NO.	DOCUMENT NO. SD-98298-004	SHEET NO. 2 OF 2			