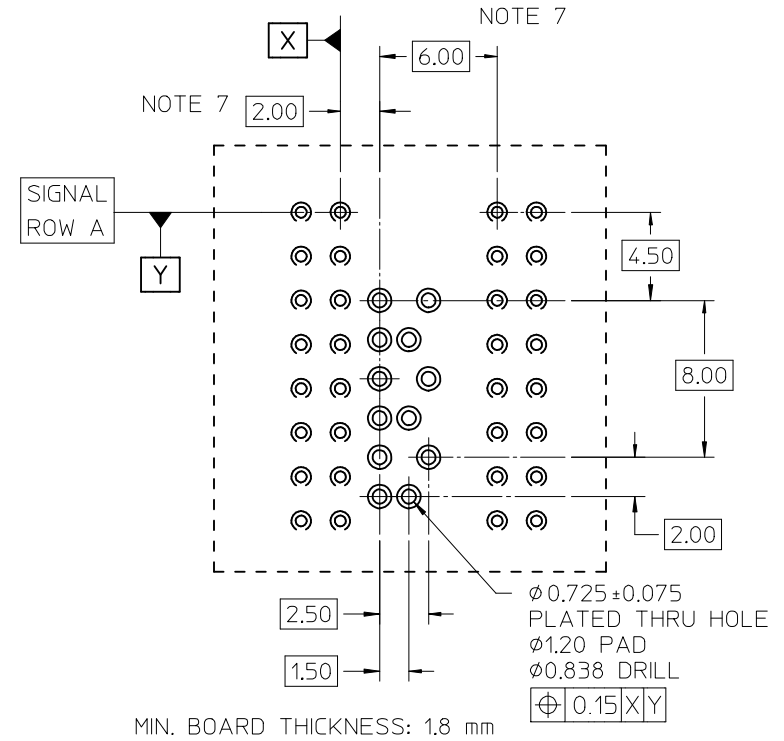
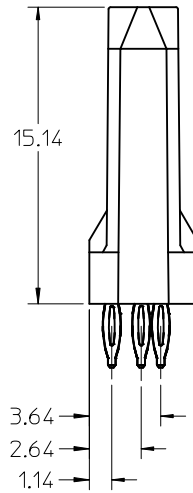
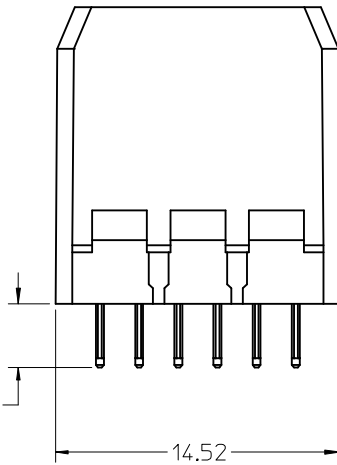
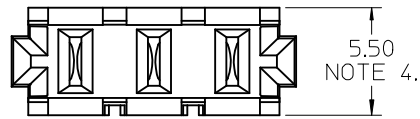
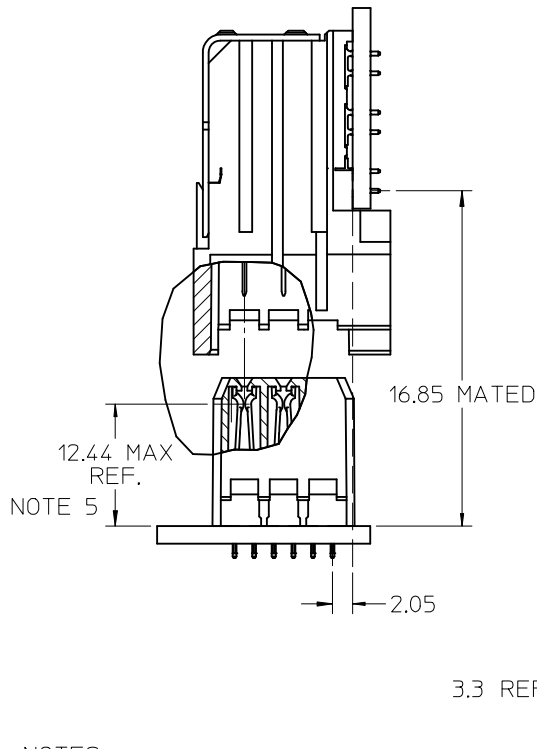


- NOTES:
- MATERIALS:
HOUSING - LIQUID CRYSTAL POLYMER (LCP)
UL94 V-0 RATED, COLOR: BLACK
TERMINAL - COPPER ALLOY
 - FINISH: 30 microINCH MIN GOLD ON MATING SURFACE;
MATTE TIN ON TAILS; NICKEL OVERALL.
 - THIS PART CONFORMS TO PRODUCT SPECIFICATION
PS-74031-999.
 - USE 6.00 mm NOMINAL FOR BACKPLANE LAYOUT.
 - DIMENSION MEASURED FROM BOTTOM OF HOUSING.
 - PACKED PER PK-70873-0876.
 - THIS DIMENSION TO BE MULTIPLE OF 2.00 mm AS REQUIRED.

ADD TOLERANCE EC NO: UCP2013-2933 DRAWN/RWH/PPLE 2013/01/16 CHKD:MMOLFE 2013/01/16 APPR:SMILLER 2013/01/16	DESCRIPTION	QUALITY SYMBOLS	GENERAL TOLERANCES (UNLESS SPECIFIED)	DIMENSION STYLE	SCALE	DESIGN UNITS	THIRD ANGLE PROJECTION
		$\nabla=0$ $\nabla=0$ $\nabla=0$	mm INCH	MM ONLY	4:1	METRIC	
B	REV	4 PLACES	\pm --- \pm ---	DRAWN BY	DATE	TITLE	
		3 PLACES	\pm --- \pm ---	JJONIAK	2006/01/05	VHDM/HSD LEADFREE POWER 8 ROW BACKPLANE SALES ASSEMBLY	
		2 PLACES	± 0.25 \pm ---	CHECKED BY	DATE		
		1 PLACE	± 0.38 \pm ---	JBINGHAM	2001/10/05		
		0 PLACE	\pm \pm	APPROVED BY	DATE		
				BIXLER	2001/10/05		
			ANGULAR \pm --- $^{\circ}$	MATERIAL NO.	DOCUMENT NO.		
			DRAFT WHERE APPLICABLE MUST REMAIN WITHIN DIMENSIONS	74029-8999	SD-74029-089	SHEET NO. 1 OF 1	
				SIZE B	THIS DRAWING CONTAINS INFORMATION THAT IS PROPRIETARY TO MOLEX INCORPORATED AND SHOULD NOT BE USED WITHOUT WRITTEN PERMISSION		



- NOTES:
- MATERIALS:
HOUSING - LIQUID CRYSTAL POLYMER (LCP)
UL94 V-0 RATED, COLOR: BLACK
TERMINAL - COPPER ALLOY
 - FINISH: 30 microINCH MIN GOLD ON MATING SURFACE;
MATTE TIN ON TAILS; NICKEL OVERALL.
 - THIS PART CONFORMS TO PRODUCT SPECIFICATION
PS-74031-999.
 - USE 6.00 mm NOMINAL FOR BACKPLANE LAYOUT.
 - DIMENSION MEASURED FROM BOTTOM OF HOUSING.
 - PACKED PER PK-70873-0876.
 - THIS DIMENSION TO BE MULTIPLE OF 2.00 mm AS REQUIRED.

ADD TOLERANCE EC NO: UCP2013-2933 DRWNR:RHI/PPLE 2013/01/16 CHKD:MMOLFE 2013/01/16 APPR:SMILLER 2013/01/16	DESCRIPTION REV	QUALITY SYMBOLS $\nabla=0$ $\nabla=0$ $\nabla=0$	GENERAL TOLERANCES (UNLESS SPECIFIED) <table border="1"> <thead> <tr> <th></th> <th>mm</th> <th>INCH</th> </tr> </thead> <tbody> <tr> <td>4 PLACES</td> <td>\pm---</td> <td>\pm---</td> </tr> <tr> <td>3 PLACES</td> <td>\pm---</td> <td>\pm---</td> </tr> <tr> <td>2 PLACES</td> <td>± 0.25</td> <td>\pm---</td> </tr> <tr> <td>1 PLACE</td> <td>± 0.38</td> <td>\pm---</td> </tr> <tr> <td>0 PLACE</td> <td>\pm</td> <td>\pm</td> </tr> </tbody> </table>		mm	INCH	4 PLACES	\pm ---	\pm ---	3 PLACES	\pm ---	\pm ---	2 PLACES	± 0.25	\pm ---	1 PLACE	± 0.38	\pm ---	0 PLACE	\pm	\pm	DIMENSION STYLE MM ONLY	SCALE 4:1	DESIGN UNITS METRIC	THIRD ANGLE PROJECTION
			mm	INCH																					
4 PLACES	\pm ---	\pm ---																							
3 PLACES	\pm ---	\pm ---																							
2 PLACES	± 0.25	\pm ---																							
1 PLACE	± 0.38	\pm ---																							
0 PLACE	\pm	\pm																							
DRAWN BY J JONIAK	DATE 2006/01/05	CHECKED BY J BINGHAM	DATE 2001/10/05	TITLE VHDM/HSD LEADFREE POWER 8 ROW BACKPLANE SALES ASSEMBLY																					
MATERIAL NO. 74029-8999		APPROVED BY BIXLER		DATE 2001/10/05		DOCUMENT NO. SD-74029-089																			
DRAFT WHERE APPLICABLE MUST REMAIN WITHIN DIMENSIONS		ANGULAR \pm ---°		SHEET NO. 1 OF 1																					
THIS DRAWING CONTAINS INFORMATION THAT IS PROPRIETARY TO MOLEX INCORPORATED AND SHOULD NOT BE USED WITHOUT WRITTEN PERMISSION																									