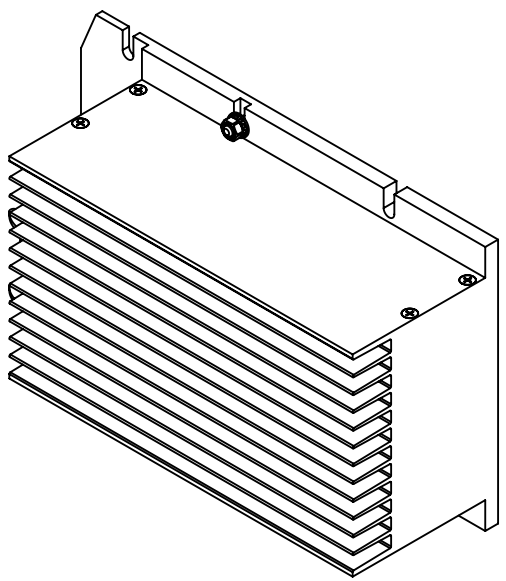
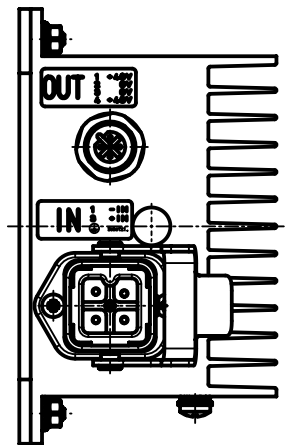
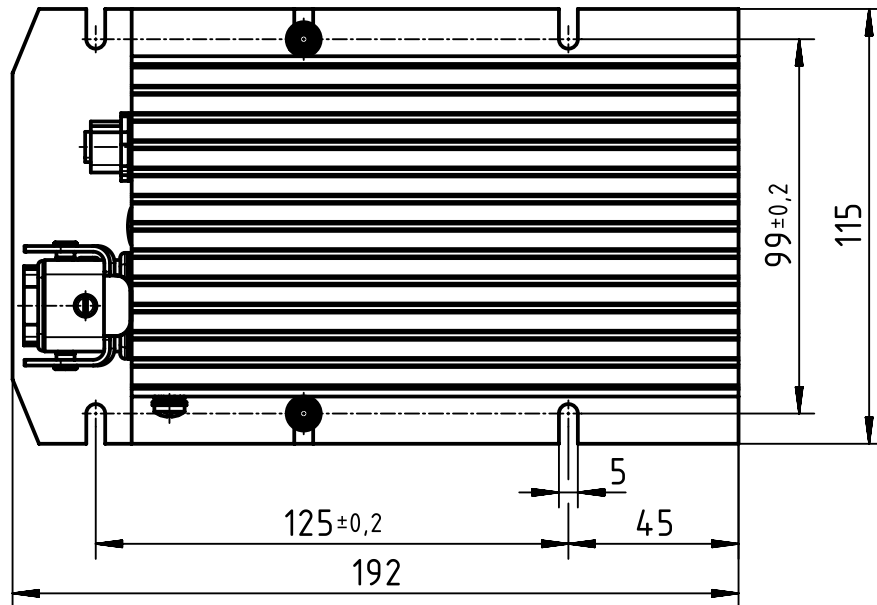
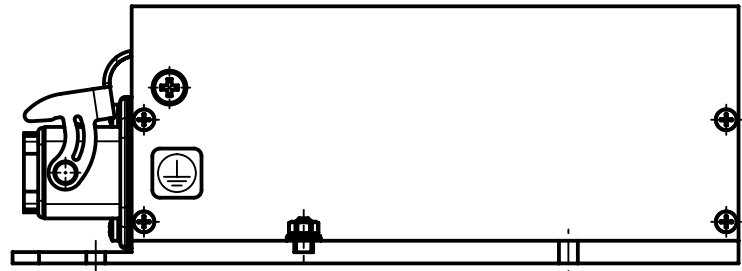
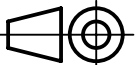



1 2 3 4 5 6

A
B
C
D



 All Dimensions in mm Original Size DIN A4		Scale 1:2	Free size tol.		Ref.
 All rights reserved Department EL PD - DE		Created by ILJIN	Inspected by LOETKEMANN	Standardisation TIEMANNA	Date 2013-10-22
HARTING Electric GmbH & Co. KG D-32339 Espelkamp		Title DC/DC Convert.HARTING pCon 7150DC-110/48			State Final Release
		Type TB	Number 20 80 300 3026		Doc-Key / ECM-Nr. 100219164/UGD/002/B 500000067525 Rev. B Page 1/1