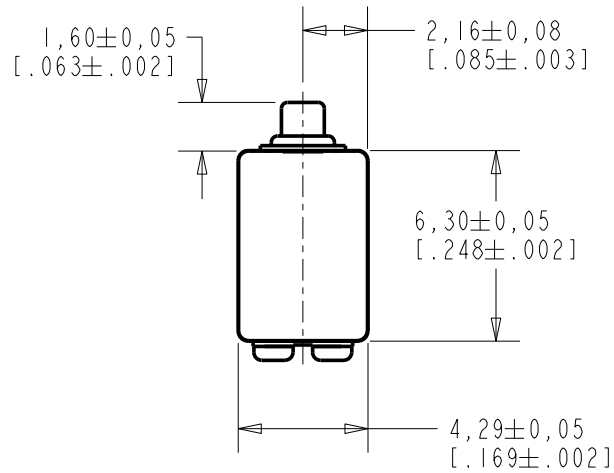


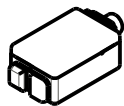
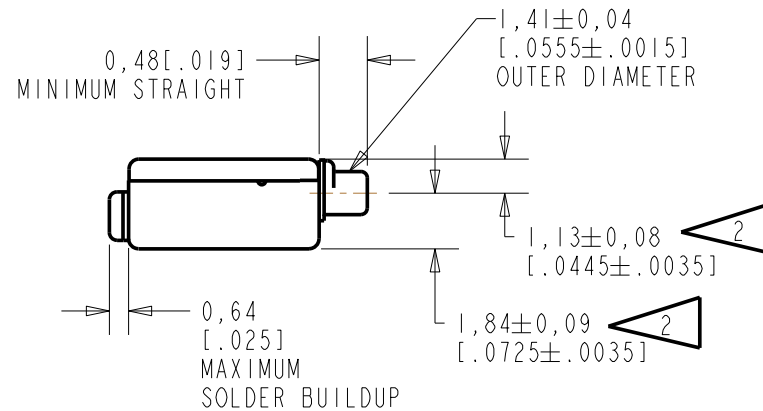
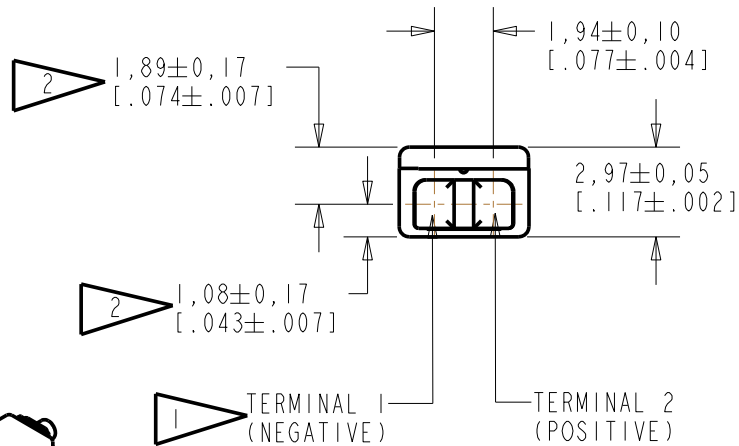
ED-23146-000

SHT 1.1



NOTE:

- 1 A POSITIVE GOING VOLTAGE AT TERMINAL 2, RELATIVE TO TERMINAL 1, CAUSES A DECREASE IN PRESSURE AT THE SOUND OUTLET.
- 2 LOCATED FROM TWO SURFACES FOR CUSTOMER CONVENIENCE. ONLY APPLICABLE FROM ONE SURFACE, NOT TO BE USED TOGETHER. HORIZONTAL LOCATION FOR TERMINAL CENTERED TO ±0,17 [.007].



SCALE 2:1

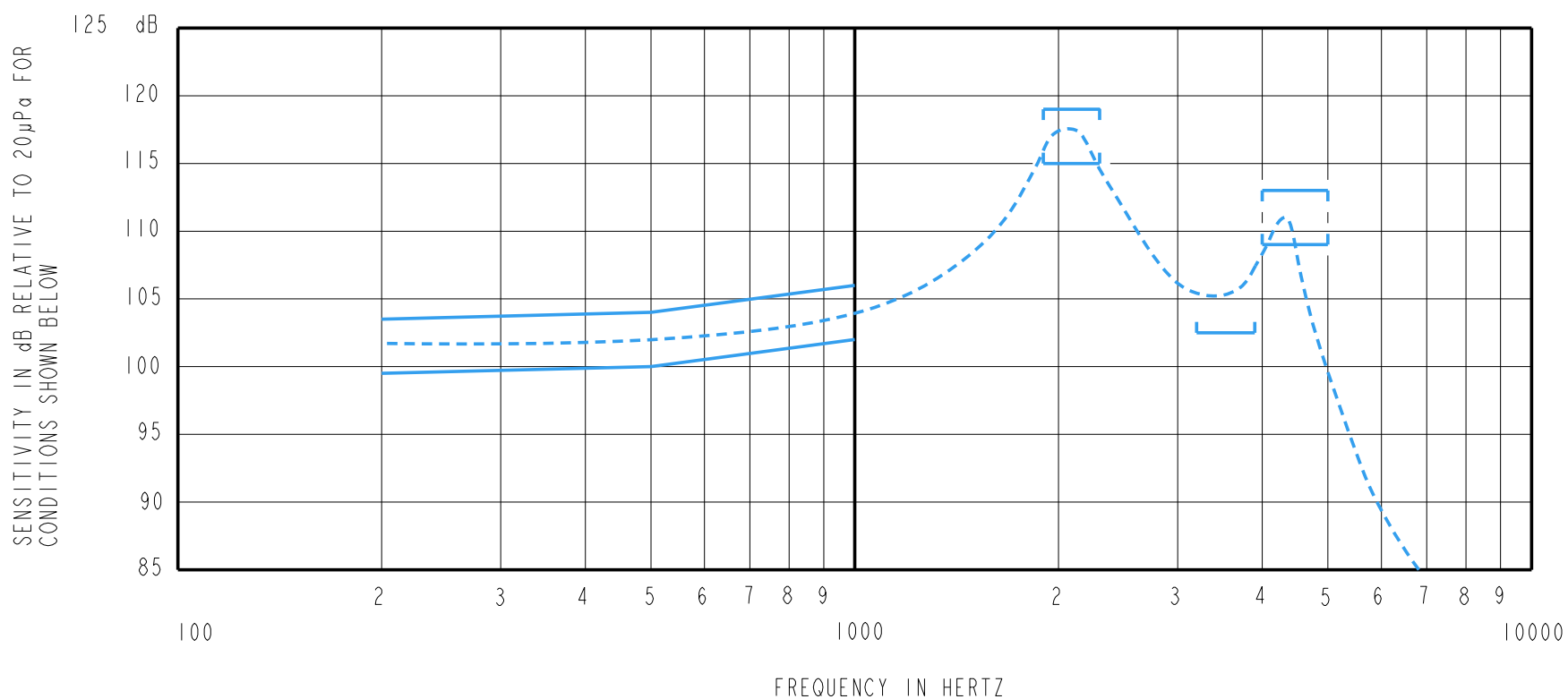
NOMINAL WEIGHT
.31 GRAM

DIMENSIONS IN MILLIMETERS [INCHES]

| Revision | C.O. # | Implementation Date | RELEASE LEVEL | REVISION |
|----------|-----------|---------------------|---------------|----------|
| B | C10107990 | 8-20-08 | Active | B |
| A | C10103522 | 12-27-05 | | |

| | | | |
|----------------------|--|--------------|----------|
| SCALE: 4:1 | | DR. BY | DATE |
| DO NOT SCALE DRAWING | | CRG | 12-27-05 |
| TITLE: RECEIVER | | ED-23146-000 | CK. BY |
| OUTLINE DRAWING | | SHT 1.1 | GJP |
| | | APP. BY | DATE |
| | | GJP | 12-29-05 |

KNOWLES ELECTRONICS
ITASCA, ILLINOIS U.S.A.



NOTES:

1. MEASUREMENTS MADE USING 10mm (.394") X 1mm (.039") ID TUBE CONNECTED TO A SIMULATED ANSI S3.7-1973 TYPE HA-3 COUPLER. (IEC 126).

2.

SENSITIVITY

| FREQUENCY | MIN. | MAX. |
|-----------|-------|-------|
| 200 | 99.5 | 103.5 |
| 500 | 100.0 | 104.0 |
| 1000 | 102.0 | 106.0 |
| 1900-2300 | 115.0 | 119.0 |
| 3200-3900 | 102.5 | --- |
| 4000-5000 | 109.0 | 113.0 |

3. RESPONSE, IMPEDANCE, AND DISTORTION MEASUREMENTS MADE USING THE ELECTRICAL TEST CONDITIONS SHOWN BELOW.

4. ELECTRICAL SOURCE IMPEDANCE MUST BE GREATER THAN 20 TIMES 1KHz IMPEDANCE FOR TEST CONDITIONS SHOWN BELOW.

5. INDIVIDUAL SPECIFICATIONS.

| PORT LOCATION | IMPEDANCE OHMS ±15% | | DCR @20°C OHMS ±10% | DISTORTION | | ELECTRICAL TEST CONDITIONS | |
|---------------|---------------------|-------|---------------------|------------|---------|----------------------------|-------|
| | 1KHz | 500Hz | | MAX. % | FREQ Hz | AC mA RMS | DC mA |
| 12C | 360 | 195 | 92 | 5 | 800 | 1.00 | 0.00 |

| Revision | C.O. # | Implementation Date | RELEASE LEVEL | REVISION |
|----------|-----------|---------------------|---------------|----------|
| B | C10107990 | 8-20-08 | Active | B |
| A | C10103522 | 12-27-05 | | |

KNOWLES ELECTRONICS
ITASCA, ILLINOIS U.S.A.

WHEN TEST LIMITS ARE USED TO ESTABLISH INCOMING INSPECTION ACCEPTANCE/REJECTION CRITERIA, CORRELATION OF TEST EQUIPMENT WITH KNOWLES IS ALSO REQUIRED FOR ELIMINATION OF EQUIPMENT AND TEST METHOD VARIATION

TITLE: **RECEIVER**
PERFORMANCE SPECIFICATION

ED-23146-000
SHT 2.1

| DR. BY | DATE |
|---------|----------|
| CRG | 12-27-05 |
| CK. BY | DATE |
| GJP | 12-29-05 |
| APP. BY | DATE |
| GJP | 12-29-05 |