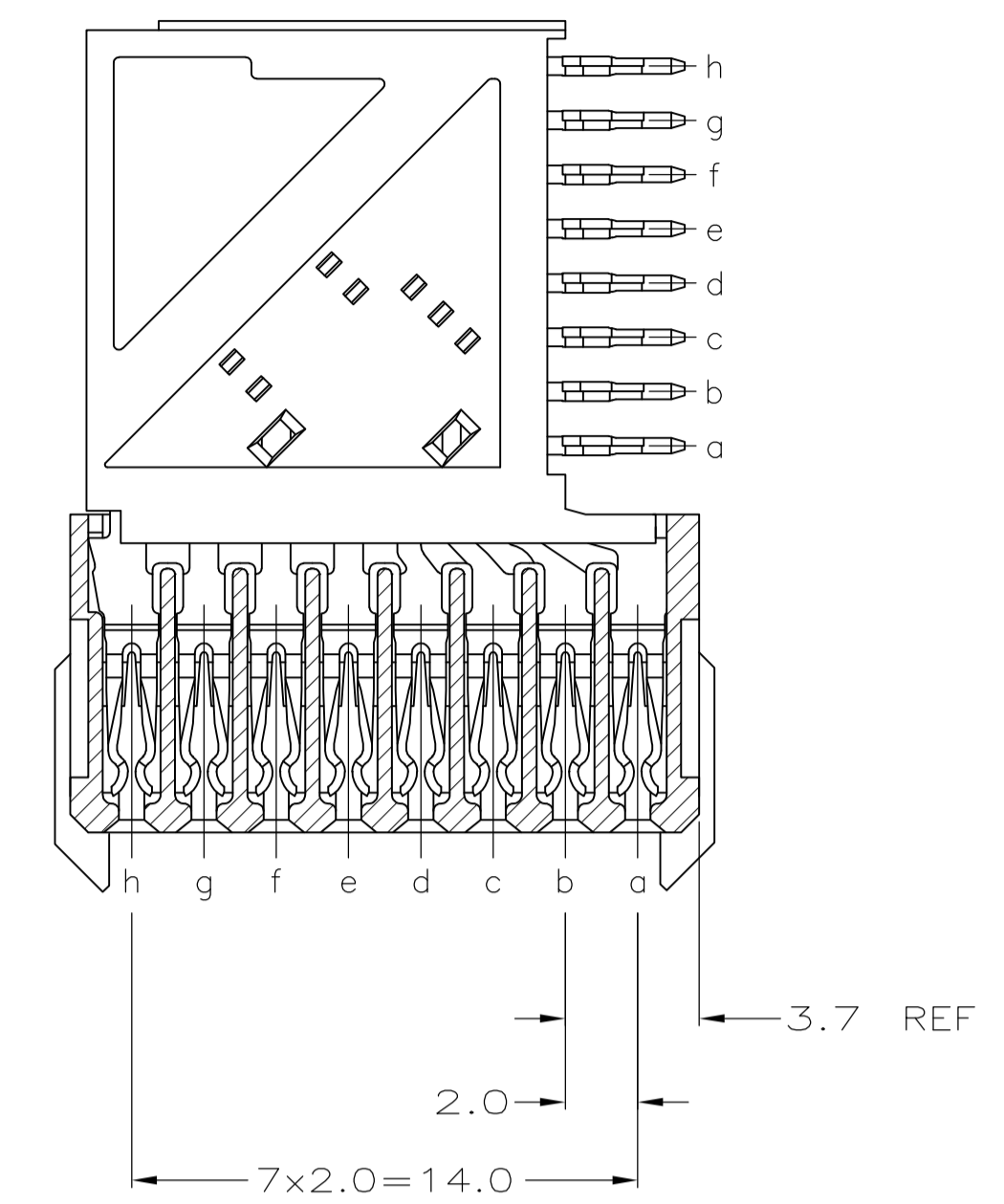
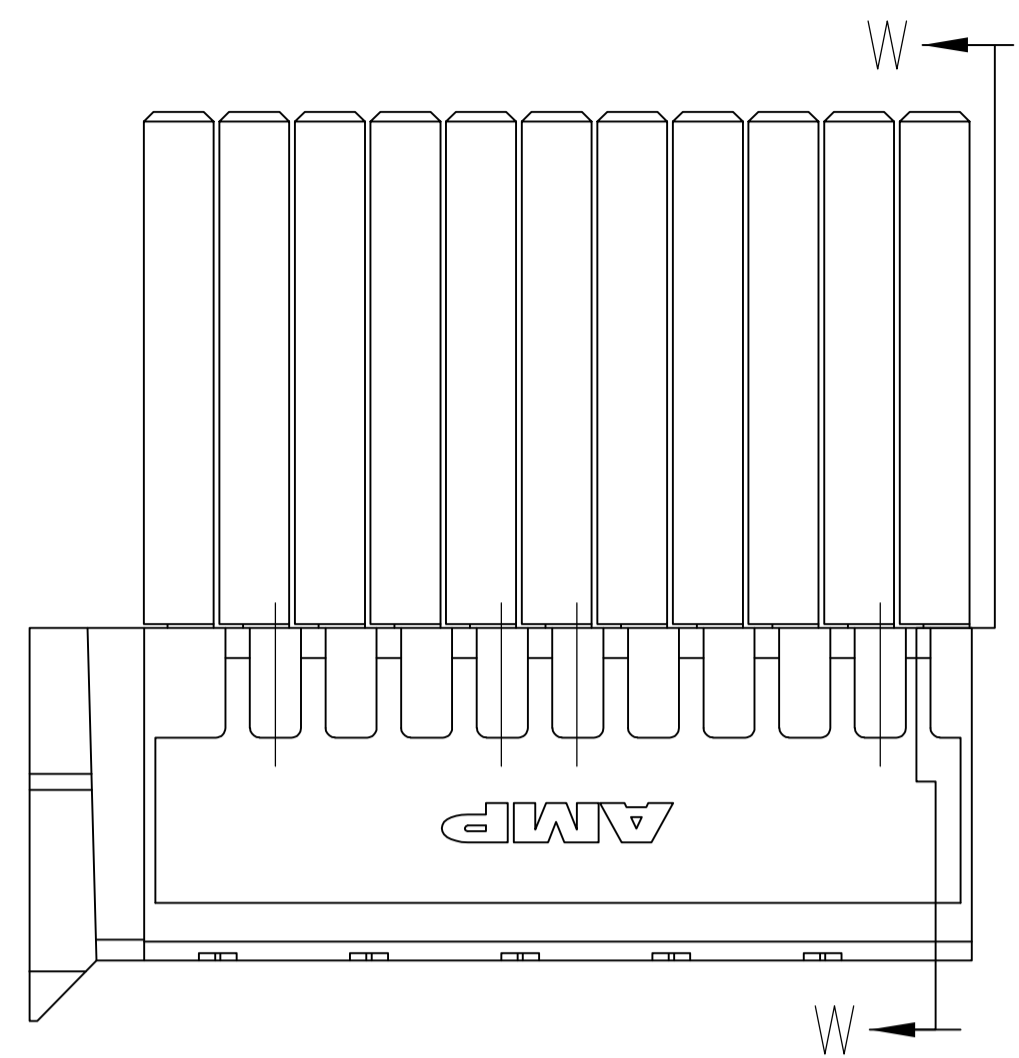
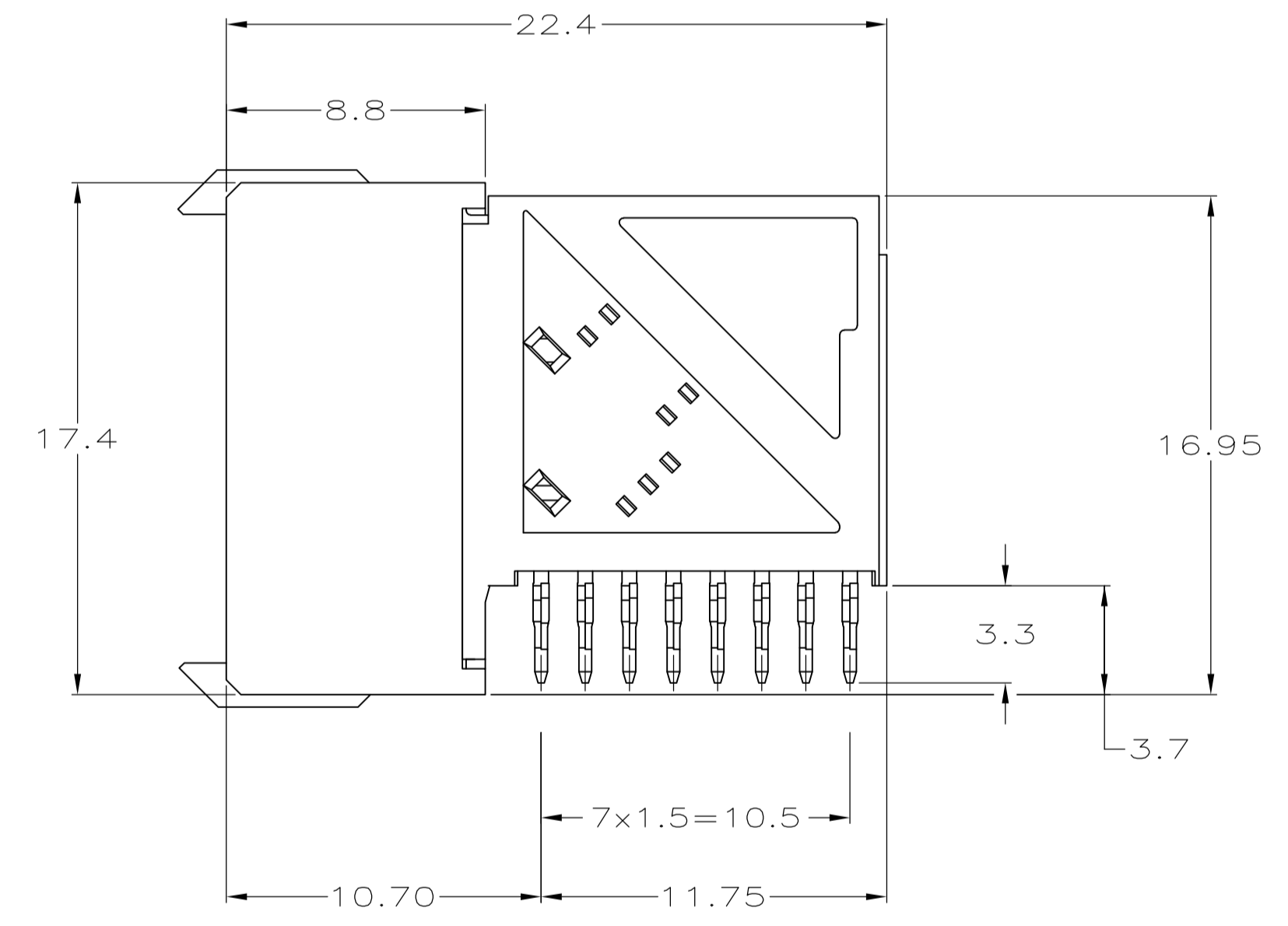
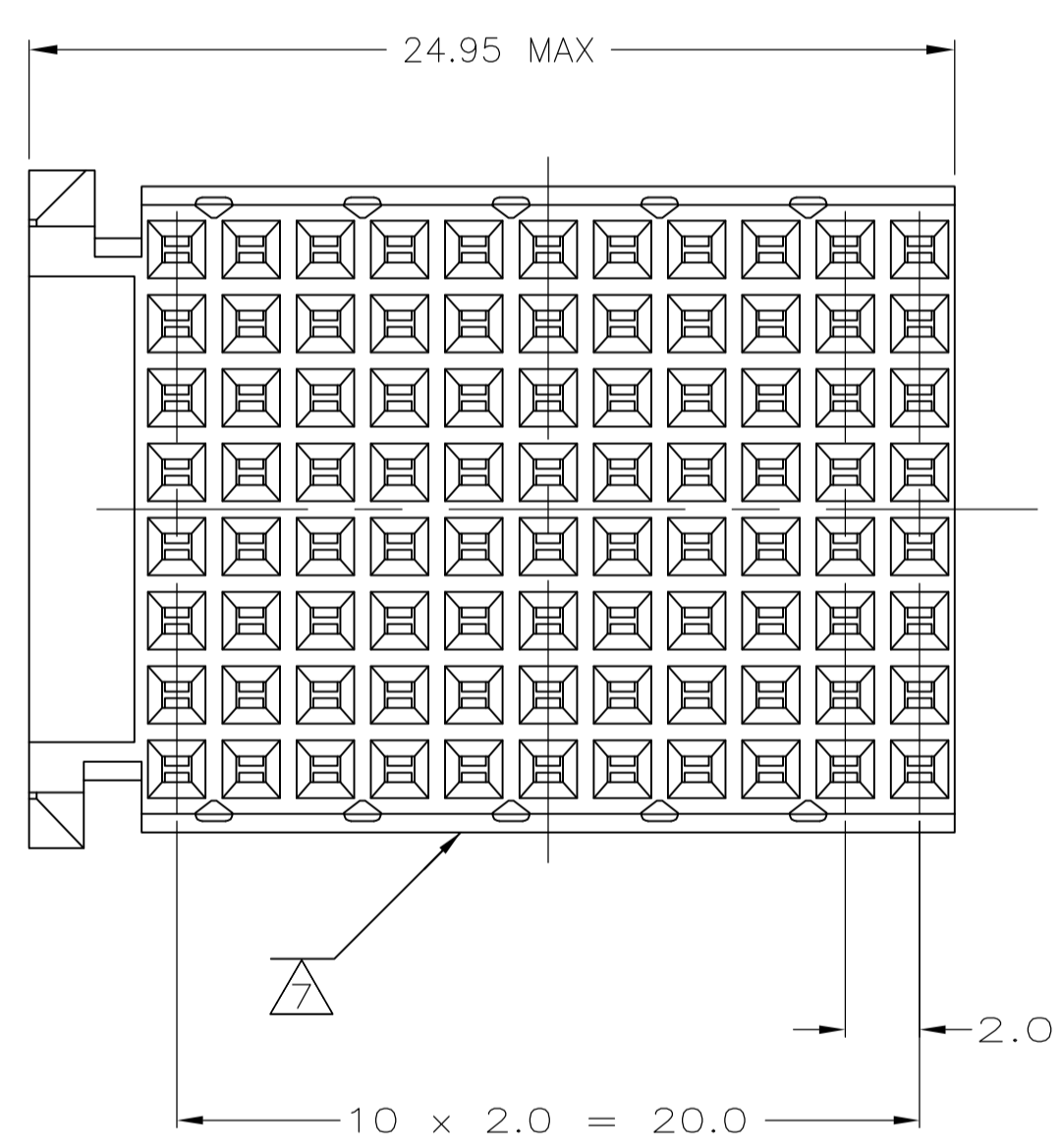


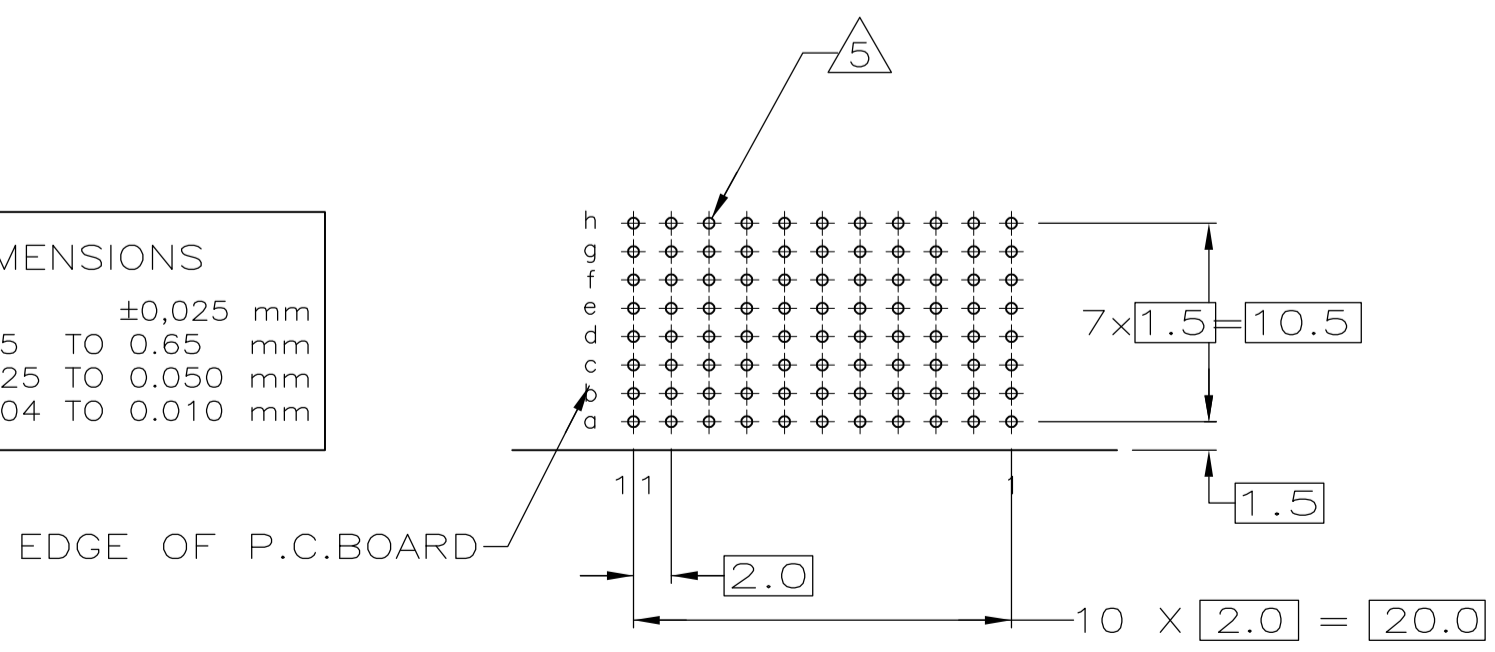
LOC		DIST		REVISIONS			
P	LTR	DESCRIPTION	DATE	DMN	APVD		
F2		REV PER ECO-10-001916	02FEB2010	JY	SY		
G		ECR-10-018652	10SEP10	JS	MQW		
H		ECO-12-003005	22FEB2012	SY	MQW		
J		ECR-12-010544	05DEC12	SY	AC		



SECTION W-W



PCB HOLE DIMENSIONS		
DRILLED HOLE	0.7	±0.025 mm
FIN. HOLE	0.55 TO 0.65	mm
Cu-thks	0.025 TO 0.050	mm
SnPb-thks	0.004 TO 0.010	mm



RECOMMENDED PCB HOLE LAYOUT
 COMPONENT SIDE
 SCALE 2.5:1

- 1 MATERIAL:
CONTACT: PHOSPHOR BRONZE.
HOUSING: GLASS-FILLED POLYESTER.
- 2 GENERAL PLATING SPECIFICATION: UNDERPLATING
(ENTIRE CONTACT): 1.27µm MIN NICKEL AND ACTION
PIN: 0.5µm MIN TIN/LEAD.
FOR PLATING OF MATING SURFACES SEE APPLICABLE
SPECIFICATION REFERENCE FOR EACH DASH NUMBER.
- 3 CONFORMS TO ALL TESTING ACCORDING TO IEC 61076-4-101
PERFORMANCE LEVEL 2.
- 4 CONNECTOR TESTED AND QUALIFIED AGAINST TELCORDIA GR-1217-CORE QUALITY LEVEL 3,
CENTRAL OFFICE APPLICATIONS.
- 5 PLATED THROUGH HOLES AT 2x1.5mm GRID. 88 TOTAL HOLES.
- 6 CONTACT AREA LUBRICATED WITH BELLCORE APPROVED LUBRICANT.
TECHNICAL REFERENCE: GR-1217-CORE, ISSUE 1, NOVEMBER 1991.
- 7 CONNECTOR PRINTED WITH PART NUMBER AND DATE CODE THIS SIDE.
ADDITIONAL CHARACTERS OR MARKINGS, AS WELL AS THE LOCATION OF THE MARKINGS,
MAY BE ADDED FOR TRACEABILITY BASED UPON MANUFACTURERS DISCRETION.
- 8 OBSOLETE PARTS: OBSOLETE CIS STREAMLINING PER D.RENAUD/D.SINISI
- 9 0.76µm MIN GOLD PLATING AT MATING SURFACES.

	2	3	9	3-646446-0	
8	OBSOLETE	2	4	6	646446-9
OBSOLETE		2	3		646446-1
	FINISH			PART NUMBER	

THIS DRAWING IS A CONTROLLED DOCUMENT.		DIN B CARBO 06DEC05	Tyco Electronics Corporation Harrisburg, PA 17105-3608	
DIMENSIONS: mm		CIK G SKIPPER 06DEC05	APVD G SKIPPER 06DEC05	
TOLERANCES UNLESS OTHERWISE SPECIFIED:		NAME		
0-PLC	±	R/A RECEPTACLE ASSY, 88 POSN, TTR		
1-PLC	±0.1	8 ROW, TYPE F, Z-PACK 2mm HM		
2-PLC	±0.05	APPLICATION SPEC		
3-PLC	±0.05	SIZE CAGE CODE DRAWING NO		
4-PLC	±	RESTRICTED TO		
ANGLES	±	WEIGHT		
MATERIAL 1 SEE TABLE		A1 00779 C=646446		
		CUSTOMER DRAWING SCALE 5:1 SHEET 1 OF 1 REV J		