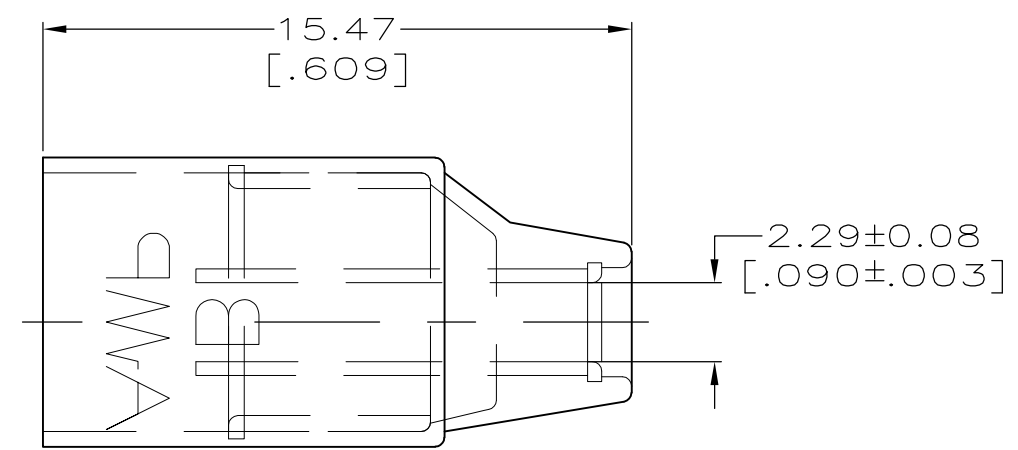
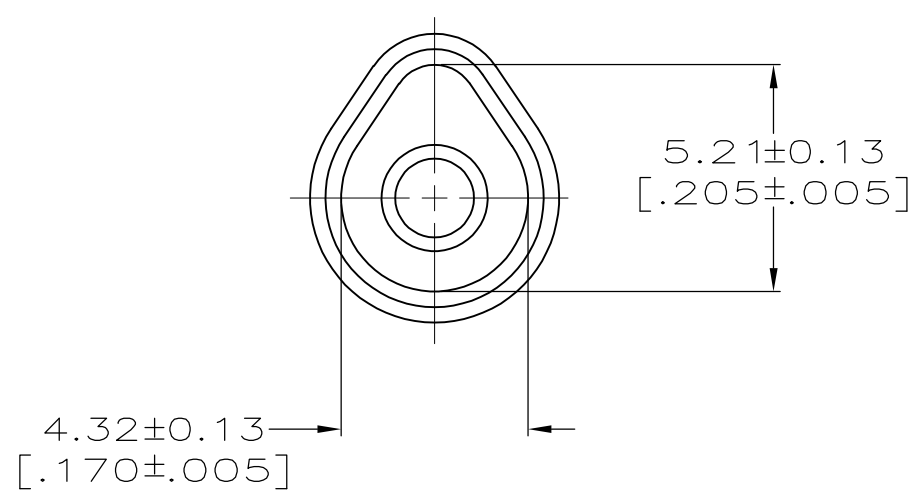


THIS DRAWING IS UNPUBLISHED. RELEASED FOR PUBLICATION
 © COPYRIGHT BY TYCO ELECTRONICS CORPORATION. ALL INTERNATIONAL RIGHTS RESERVED.

LOC	DIST	REVISIONS			
P	LTR	DESCRIPTION	DATE	DWN	APVD
AJ	16	M	REVISED PER ECO-10-009236	05MAY10	HMR KW

- 1 MATERIALS:
 INNER FERRULE: COPPER ALLOY
 OUTER FERRULE: COPPER ALLOY
 MOLDING: NYLON (COLOR: NATURAL)
- 2 FINISH:
 INNER FERRULE: TIN PL PER MIL-T-10727
 OUTER FERRULE: TIN PL PER MIL-T-10727
- 3. 1.50-2.16[.059-.085] PRIMARY INSULATION DIA RANGE



THIS DRAWING IS A CONTROLLED DOCUMENT.		DWN J.DAVIS 01/13/93	Tyco Electronics Corporation Harrisburg, Pa 17105-3608	
DIMENSIONS: mm [INCHES]		CHK G.MICHAEL 02/05/93	NAME CONN, COAX,R.F., TERMASHIELD, FERRULE	
TOLERANCES UNLESS OTHERWISE SPECIFIED:		APVD G.MICHAEL 02/05/93	PRODUCT SPEC —	
0 PLC ± - 1 PLC ± - 2 PLC ± .20[.008] 3 PLC ± - 4 PLC ± - ANGLES ± -		APPLICATION SPEC —		
MATERIAL	FINISH	WEIGHT .026 OZ	SIZE A3	CAGE CODE 00779
1	2	DRAWING NO G-329332	RESTRICTED TO —	SCALE NTS
CUSTOMER DRAWING			SHEET 1 OF 1	REV M