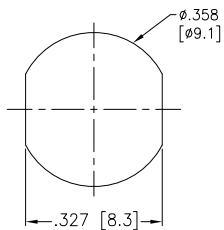
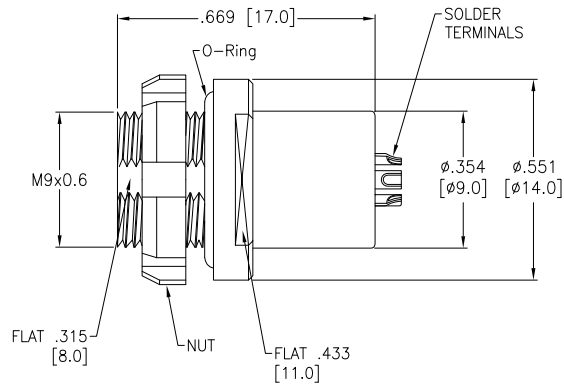
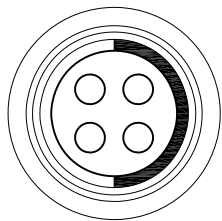


APPROVED: \_\_\_\_\_  
 DATE: \_\_\_\_\_ TITLE: \_\_\_\_\_

Rev	AWO #	Description	Date	Appr
-		RELEASED	8/16/21	



Panel Cut-Out  
(Rear Panel Mounting)

MMI-MORSXXXS-IP68

SIZE 0

CODING	
1	= CODE 1
2	= CODE 2
3	= CODE 3

# OF POSITIONS  
02, 03, 04, 05, & 07

CODING OPTIONS		
CODE 1	CODE 2	CODE 3

	2 Pin	3 Pin	4 Pin	5 Pin	7 Pin
Configuration					
Diameter of Pin	ø0.9	ø0.9	ø0.7	ø0.7	ø0.5
Testing Voltage	1200V	1200V	1000V	1000V	800V
Working Voltage	250V	250V	200V	200V	200V
Rated Current / Pin	8A	7A	5A	5A	2A

**SPECIFICATIONS:**

Material:  
 Body: Brass, Natural Chrome Plated  
 Insulator: PPS, color Beige  
 Terminal: Brass, Gold Plated  
 O-Ring: Silicone

Electrical:  
 Voltage Rating: See chart  
 Current Rating: See chart  
 Dielectric withstanding voltage: See chart  
 Electrical Life: 1,000 Cycles min.

Mechanical:  
 Endurance: 5,000 Cycles Min.  
 Temperature Rating:  
 Operating temperature: -55°C to +150°C

Environmental:  
 IP68 Protection (Panel and Mated Condition)  
 Lead free, RoHS compliant



UNLESS OTHERWISE SPECIFIED ALL DIMENSIONS ARE INCHES [MM] TOLERANCES: EXCEPT AS NOTED		
INCHES		HOLES
.X ± .10	ø.X ± .10	
.XX ± .020	ø.XX ± .015	
.XXX ± .015	ø.XXX ± .010	
APPROVALS		DATE
DRAWN	SS	8/16/21
CHECKED	SS	8/16/21
APPROVED		



909 Rahway Avenue,  
 Union, NJ 07083  
 Phone: 908-687-5000  
 Fax: 908-687-5710

TITLE  
 PUSH-PULL SOCKET, VERTICAL, SIZE 0, METAL BODY,  
 FRONT PANEL MOUNT, SOLDER TERMINAL, IP68

SIZE X	PART NO. MMI-MORSXXXS-IP68	REV. -
REF: SXXXXX	SCALE: NTS	SHEET 1 OF 1