

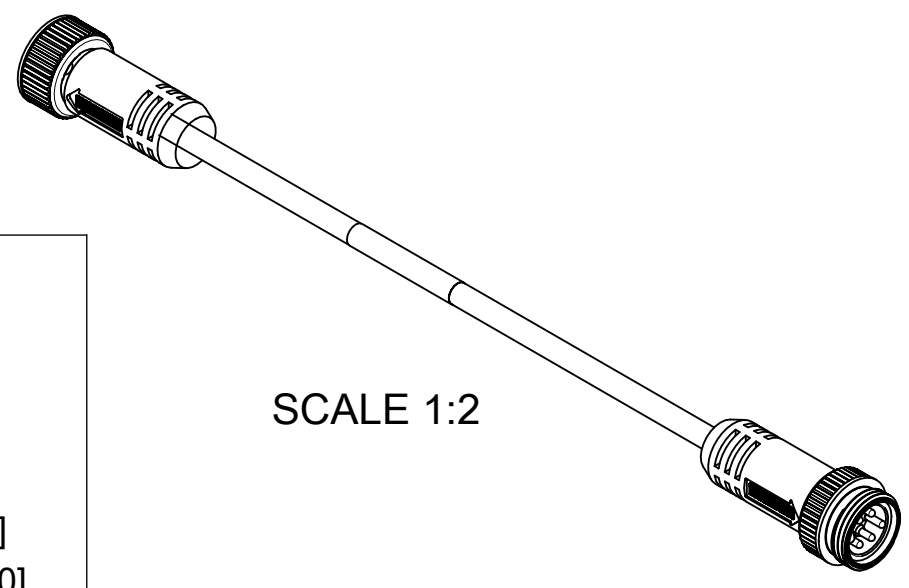
MATERIAL NO.	ENGINEERING NO.	FINISHED LENGTH
1300101242	115030A01F010	1FT (0.3M)
1300101717	115030A01M420	137FT 9.5IN (42M)
1300101699	115030A01M670	219FT 9.8IN (67M)

**PART NO. MATRIX**  
115030A01-M005

FINISHED LENGTH  
F020=2 FEET  
F200=20 FEET  
M005= 0.5 METER  
M010= 1 METER  
M100= 10 METER

**CABLE LENGTH TOLERANCES**

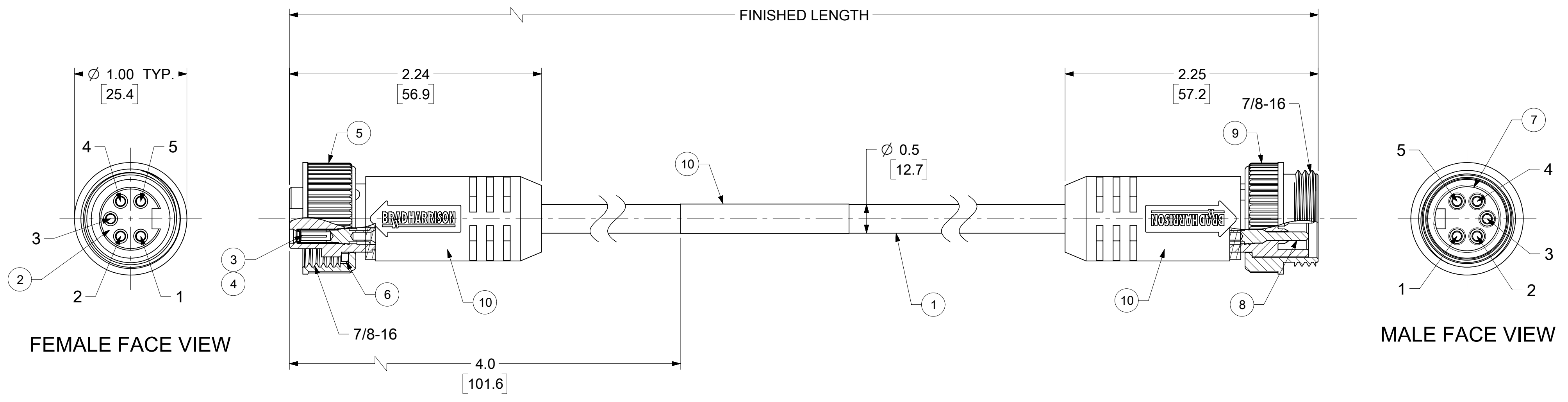
<.3M [1FT]	+19mm-0 [+0.75in-0]
.3 - .9M [1 - 3FT]	+44.5mm-0 [+1.75in-0]
.9 - 1.8M [3 - 6FT]	+55.6mm-0 [+2.19in-0]
1.8 - 3.7M [6 - 12FT]	+88.9mm-0 [+3.50in-0]
3.7 - 7.3M [12 - 24FT]	+165.1mm-0 [+6.50in-0]
7.3-14.6M [24 - 48FT]	+317.5mm-0 [+12.50in-0]
14.6 - 30.5M [48-100FT]	+622.3mm-0 [+24.50in-0]
OVER 30M [100FT]	+2% OF FINISHED LENGTH



- NOTES:**
- MATERIAL: AS NOTED
  - FINISH: AS NOTED
  - ELECTRICAL SPECIFICATIONS  
VOLTAGE RATING: 400V PER IEC60664  
600V PER UL2238  
CURRENT RATING: 8A
  - TEMP RANGE: -20°C TO +105°C
  - PROTECTION: IP67 (WHEN MATED)
  - UL RECOGNIZED FILE: E152210  
CSA CERTIFIED FILE: LR6837
  - ALL DIMS ARE FOR REFERENCE UNLESS TOLERANCED OR NOTED OTHERWISE

**WIRING DIAGRAM**

1	WHITE	1
2	RED	2
3	GREEN/YELLOW	3
4	ORANGE	4
5	BLACK	5



11	LABEL	VINYL	BLACK/YELLOW	(A)
10	OVERMOLD	TPE	YELLOW	(A)
9	COUPLING NUT, MALE	ZINC DIE-CAST	BLACK E-COAT	(A)
8	CONTACT PIN	COPPER ALLOY	SELECTIVE GOLD/NICKEL	(A)
7	MALE INSERT	TPE	YELLOW	(A)
6	FRICITION RING	NYLON	NATURAL	(A)
5	COUPLING NUT, FEMALE	ZINC DIE-CAST	BLACK E-COAT	(A)
4	SLEEVE	STAINLESS STEEL	-	(A)
3	CONTACT SOCKET	COPPER ALLOY	SELECTIVE GOLD/NICKEL	(A)
2	FEMALE INSERT	TPE	YELLOW	(A)
1	CABLE, 16/5 AWG	PVC JACKET	YELLOW	(A)
ITEM	DESCRIPTION	MATERIAL	FINISH	

THIS DRAWING CONTAINS INFORMATION THAT IS PROPRIETARY TO MOLEX ELECTRONIC TECHNOLOGIES, LLC AND SHOULD NOT BE USED WITHOUT WRITTEN PERMISSION

DIMENSION UNITS	SCALE	CURRENT REV DESC: INITIAL RELEASE, PVC CHANGED TO TPE	<b>molex</b>		
INCH/MM	1.5:1				
GENERAL TOLERANCES (UNLESS SPECIFIED)			MINI-CHANGE CORDSET, A SIZE 5 POLE, MALE-FEMALE, STRAIGHT, SINGLE KEY, 16 AWG		
4 PLACES	±	±	PRODUCT CUSTOMER DRAWING		
3 PLACES	±	±	DOCUMENT NUMBER		
2 PLACES	±	±	1300101253		
1 PLACE	±	±	DOC TYPE   DOC PART   REVISION		
0 PLACES	±	±	PSD   000   A		
ANGULAR TOL	±	°	MATERIAL NUMBER		
DRAFT WHERE APPLICABLE MUST REMAIN WITHIN DIMENSIONS			CUSTOMER		
THIRD ANGLE PROJECTION			GENERAL MARKET		
DRAWING			SHEET NUMBER		
C-SIZE			1 OF 1		
SERIES			130010		