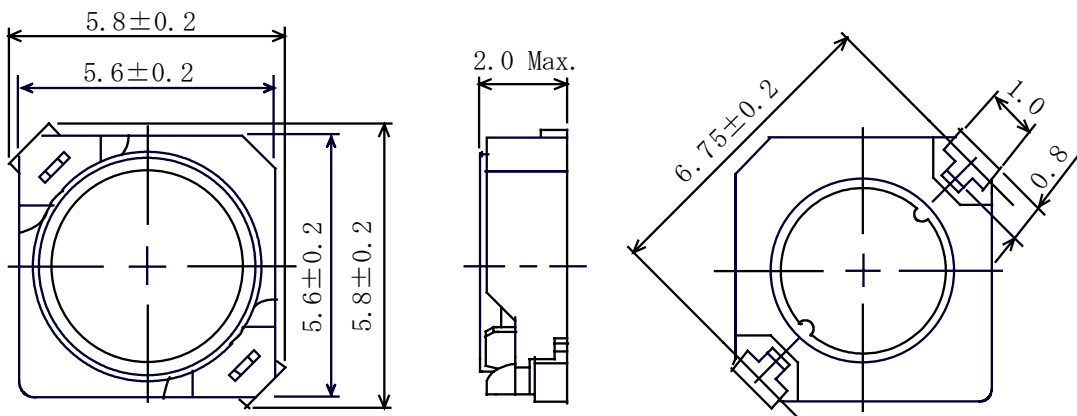
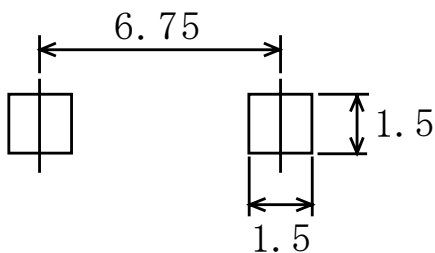


Type: CDC5D20
◆ Product Description

- 6.0×6.0mm Max.(L×W), 2.0mm Max. Height.
- Inductance range: 470 μ H~5.6mH
- Rated current range:35~140mA
- In addition to the standard versions of inductors shown here, custom inductors are available to meet your exact requirements.


◆ Feature

- Magnetically unshielded construction.
- Ideally used in EL drive as EL lamp inverter inductors.
- RoHS Compliance.

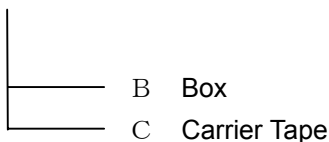
◆ Dimensions (mm)

◆ Land Pattern (mm)


Type: CDC5D20
◆ Specification

Part No. ※	Stamp	Inductance [Within] 100kHz	D.C.R. (Ω) Max.(Typ.) (at 20°C)	Rated current (mA)※1
CDC5D20NP-471K□	471	470 μH ± 10%	5.8(4.5)	140
CDC5D20NP-561K□	561	560 μH ± 10%	7.0(5.4)	125
CDC5D20NP-681K□	681	680 μH ± 10%	8.6(6.6)	115
CDC5D20NP-821K□	821	820 μH ± 10%	11.0(9.0)	105
CDC5D20NP-102K□	102	1.0mH ± 10%	13.0(10.0)	100
CDC5D20NP-122K□	122	1.2mH ± 10%	15.0(11.0)	90
CDC5D20NP-152K□	152	1.5mH ± 10%	21.0(16.0)	70
CDC5D20NP-222K□	222	2.2mH ± 10%	27.0(21.0)	65
CDC5D20NP-272K□	272	2.7mH ± 10%	36.0(28.0)	55
CDC5D20NP-332K□	332	3.3mH ± 10%	41.0(31.0)	50
CDC5D20NP-392K□	392	3.9mH ± 10%	50.0(38.0)	45
CDC5D20NP-472K□	472	4.7mH ± 10%	62.0(47.0)	40
CDC5D20NP-562K□	562	5.6mH ± 10%	74.0(57.0)	35

※ Description of part No.

C D C 5 D 2 0 N P - 4 7 1 K □



※1 Rated current: The DC current at which the inductance decreases to 90 % of it's initial value or when $\Delta t=40^{\circ}\text{C}$, whichever is lower($T_a=20^{\circ}\text{C}$).