

General Specifications

Motor Protection:

Auto Restart/Polarity Protection

Insulation Resistance:

10M Ω or over with a DC500V Megger

Dielectric Withstand Voltage: AC 700V 1s

Allowable Ambient Temperature Range:

-10°C ~ +70°C (Operating)

-40°C ~ +70°C (Storage)

IP Code: IP69K

Expected Life

25°C 100,000 Hours (L10)

Material

Casing : Plastic (Black) UL94V-0

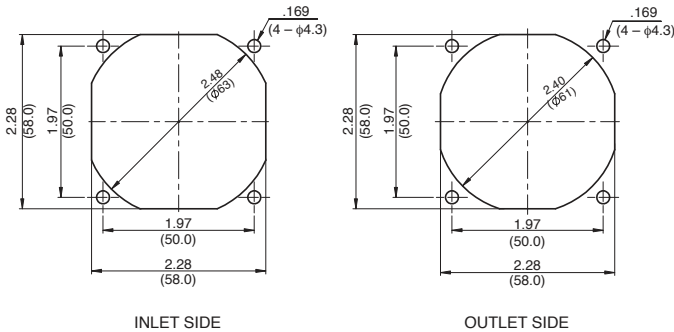
Impeller : Plastic (Black) UL94V-0

Bearing : Ball Bearing

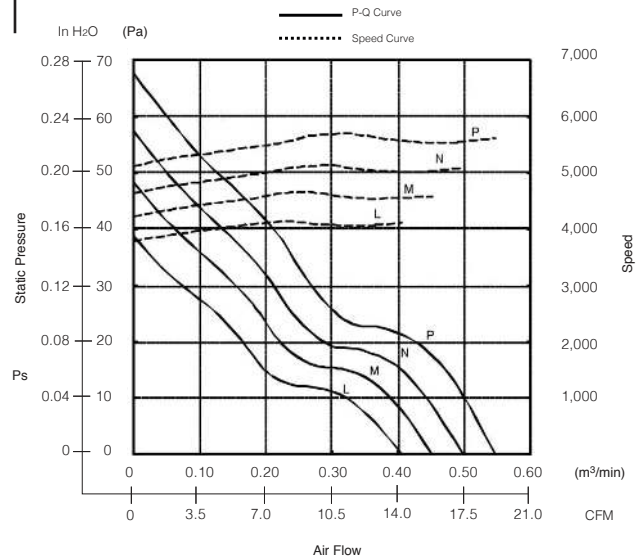
Lead Wire : UL3385, AWG26, +Red, -Black

Panel Cut-Outs

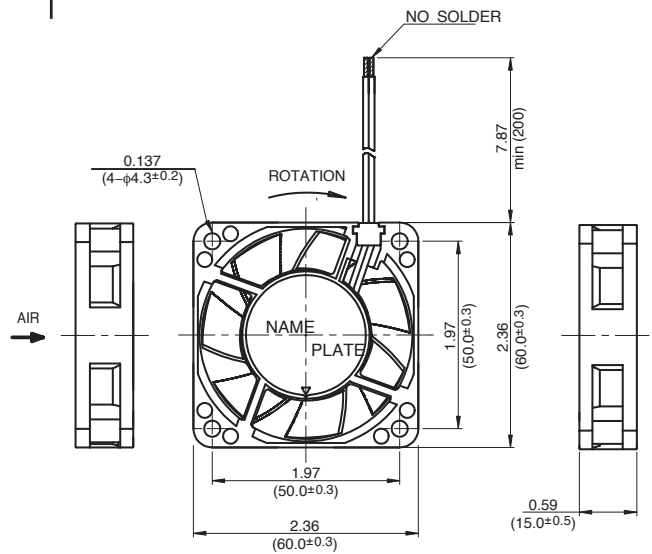
Units: $\frac{\text{inch}}{\text{mm}}$



Characteristic Curves



Outline



Specifications

MODEL	Rated Voltage	Operating Voltage	Current	Input Power	Speed	Max. Air Flow		Max. Static Pressure		Noise	Mass
	(V)	(V)	(A) ^{*1}	(W) ^{*1}	(min ⁻¹) ^{*1}	CFM ^{*1}	(m ³ /min) ^{*1}	in H ₂ O	(Pa) ^{*1}	(dB) ^{*1}	(g)
06015VA-24L-CA-00	24	10.0 ~ 27.6	0.04	0.96	4100	14.48	0.41	.16	38.8	28.5	60
06015VA-24M-CA-00	24	10.0 ~ 27.6	0.05	1.20	4600	15.89	0.45	.19	48.3	31.0	60
06015VA-24N-CA-00	24	10.0 ~ 27.6	0.06	1.44	5100	17.66	0.50	.23	57.5	33.5	60
06015VA-24P-CA-00	24	10.0 ~ 27.6	0.07	1.68	5600	19.42	0.55	.27	67.7	36.5	60

Rotation: Clockwise

Airflow Outlet: Air Out Over Struts

*1: Average Values in Free Air

Note: PWM/Locked Rotor/Tach Available